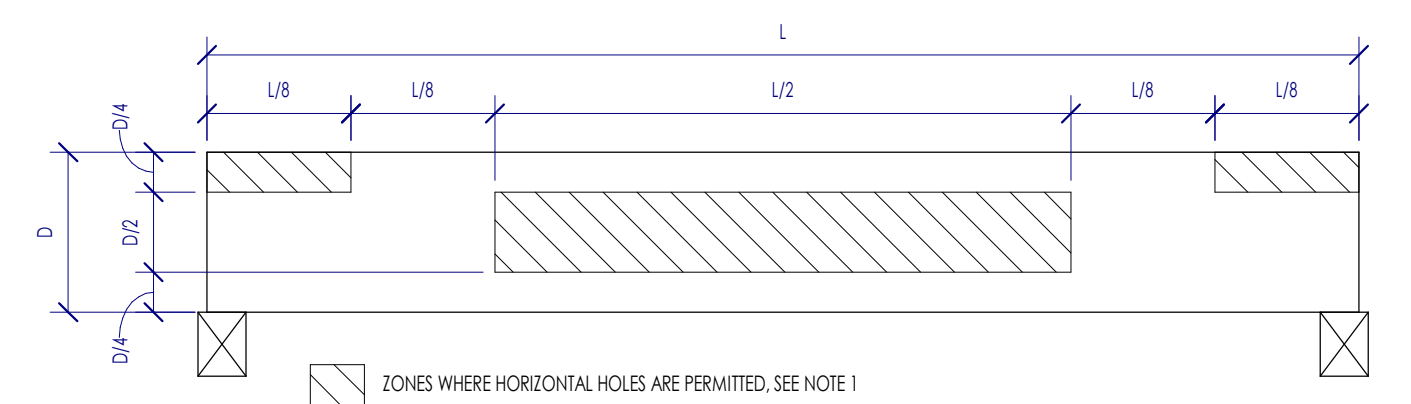


TYPICAL FASTENING SCHEDULE			
CONNECTION ID	CONNECTION TYPE	FASTENING	FASTENING ORIENTATION
1	JOIST TO BIL OR GIRDER	(1) - 0.131"Ø X 3"	TOENAIL
2	SOLE PLATE TO JOIST OR BLOCKING	0.148"Ø X 3" NAILS @ 12" OC NAILS	FACE NAIL
3	TOP PLATE TO STUD	(1) - 0.131"Ø X 3" NAILS	END NAIL
4	STUD TO SOLE PLATE - OPTION 1	(2) - 1/4" COMMON (2) - 0.131"Ø X 3" NAILS	END NAIL
5	STUD TO SOLE PLATE - OPTION 2	(4) 0.131"Ø X 3" NAILS	TOENAIL
6	DOUBLE/MULTIPLE STUDS	REFERENCE DETAIL 3A/S4.0	FACE NAIL
7	DOUBLE TOP PLATES	0.131"Ø X 3" NAILS @ 12" OC	FACE NAIL
8	DOUBLE TOP PLATE SPICE	REFERENCE DETAIL 3A/S4.0	FACE NAIL
9	BLOCKING BETWEEN JOISTS/RAFTERS TO TOP PLATE	(1) - 0.131"Ø X 3" NAILS	TOENAIL
10	BIM JOIST TO TOP PLATE	0.131"Ø X 3" NAILS @ 6" OC	TOENAIL
11	CeILING JOIST TO TOP PLATE	(1) - 0.131"Ø X 3" NAILS	TOENAIL
12	CeILING JOIST LAP OVER PARTITION	(1) - 0.131"Ø X 3" NAILS	FACE NAIL
13	CeILING JOIST TO PARALLEL RAFTERS	(1) - 0.131"Ø X 3" NAILS	FACE NAIL
14	RAFTER TO TOP PLATE	(1) - 0.131"Ø X 3" NAILS	TOENAIL
15	BUILT-UP CORNER STUDS	0.131"Ø X 3" NAILS @ 14" OC	FACE NAIL
16	BUILT-UP BEAMS	REFERENCE DETAIL 2A/S4.0	FACE NAIL
17	COLLAR TIE TO RAFTER	(1) - 0.131"Ø X 3" NAILS	FACE NAIL
18	JACK RAFTER TO HP	(1) - 0.131"Ø X 3" NAILS	TOENAIL
19	RAFTER TO RIDGE BOARD/BEAM	(1) - 0.131"Ø X 3" NAILS	TOENAIL
20	BLOCKING AT STUDS	(1) - 0.131"Ø X 3" NAILS EACH SIDE	TOENAIL

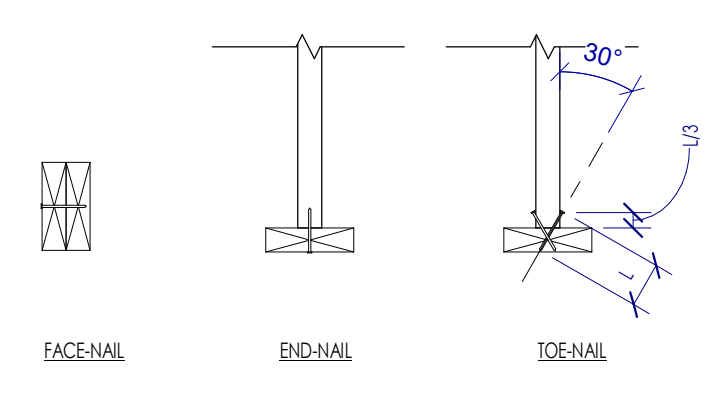
NOTES:
1. THESE CONNECTIONS ARE TO BE APPLIED UNLESS NOTED OTHERWISE IN PLAN SECTION, ELEVATION OR DETAIL VIEWS.

6D S4.0 TYPICAL WOOD FASTENING SCHEDULE

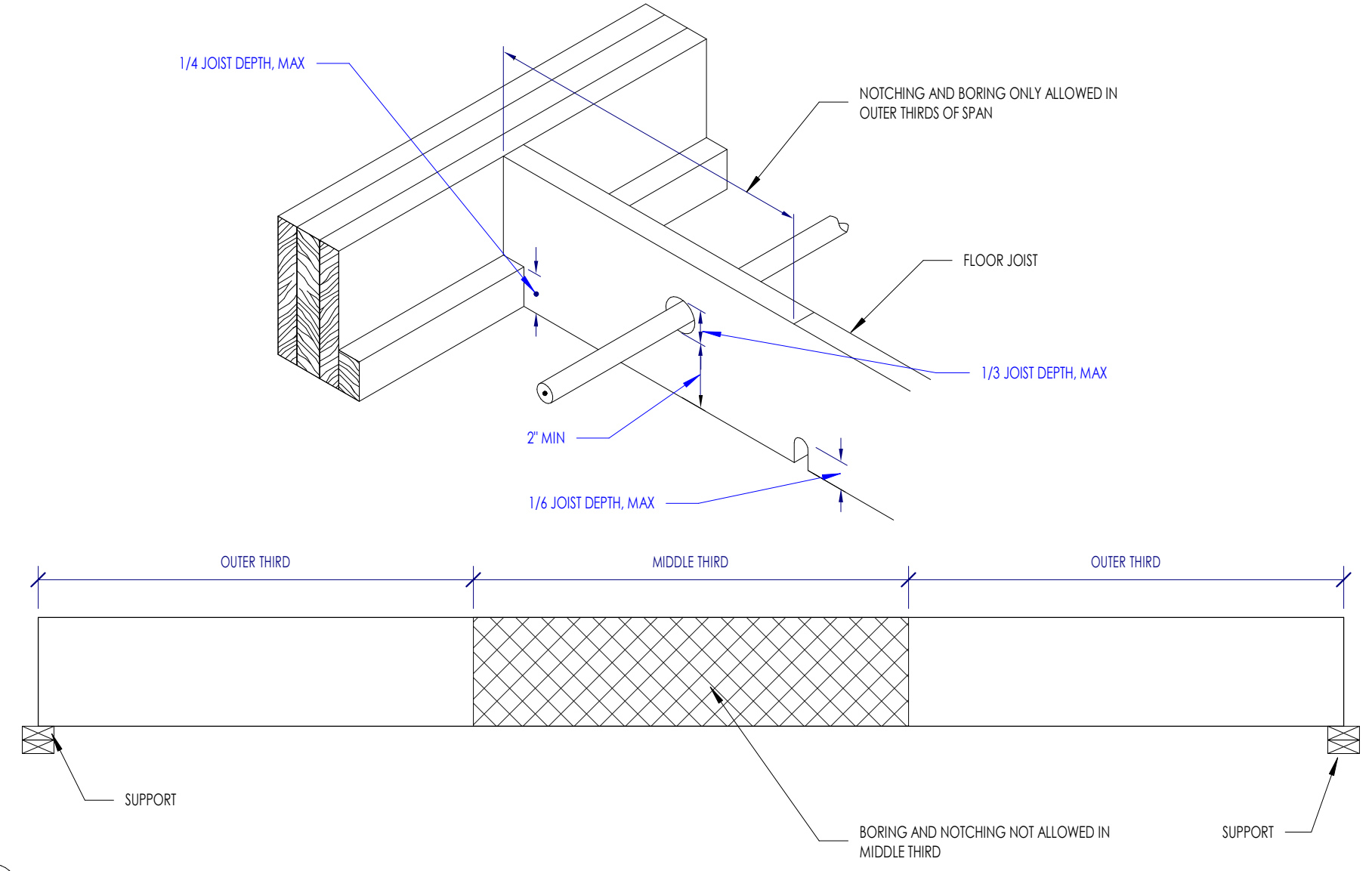


NOTES:
1. HOLE SIZE: THE HOLE DIAMETER SHALL NOT EXCEED 1/4" OR D/10, WHICHEVER IS SMALLER.
2. SPACING: FOR LARGER HOLE DIAMETERS OR FOR HOLES OUTSIDE OF THE PERMITTED ZONES, WRITTEN PERMISSION MUST BE OBTAINED FROM THE ECR.
3. LIMITATIONS: THE ABOVE CRITERIA ONLY APPLY TO SIMPLY SUPPORTED, UNIFORMLY LOADED GLUE LAMINATED BEAMS. FOR BEAMS THAT ARE EITHER CONTINUOUS ACROSS MULTIPLE SPANS OR THAT ARE SUPPORTING NON-UNIFORM LOADS, WRITTEN PERMISSION MUST BE OBTAINED FROM THE ECR.

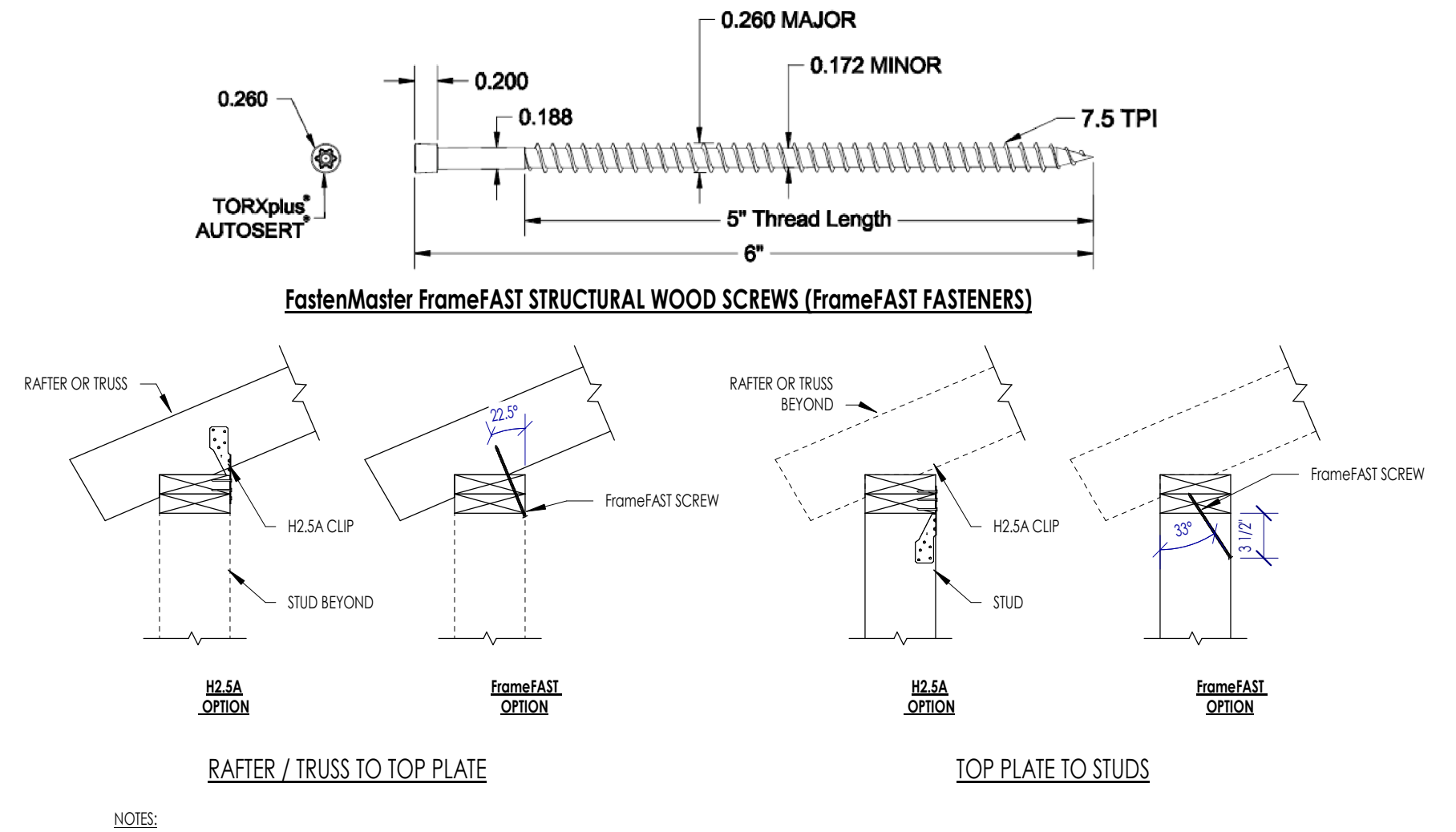
4E S4.0 ALLOWABLE HORIZONTAL HOLE LOCATIONS IN GLUE LAMINATED TIMBER BEAMS



4D S4.0 TYPICAL NAILING CONFIGURATIONS

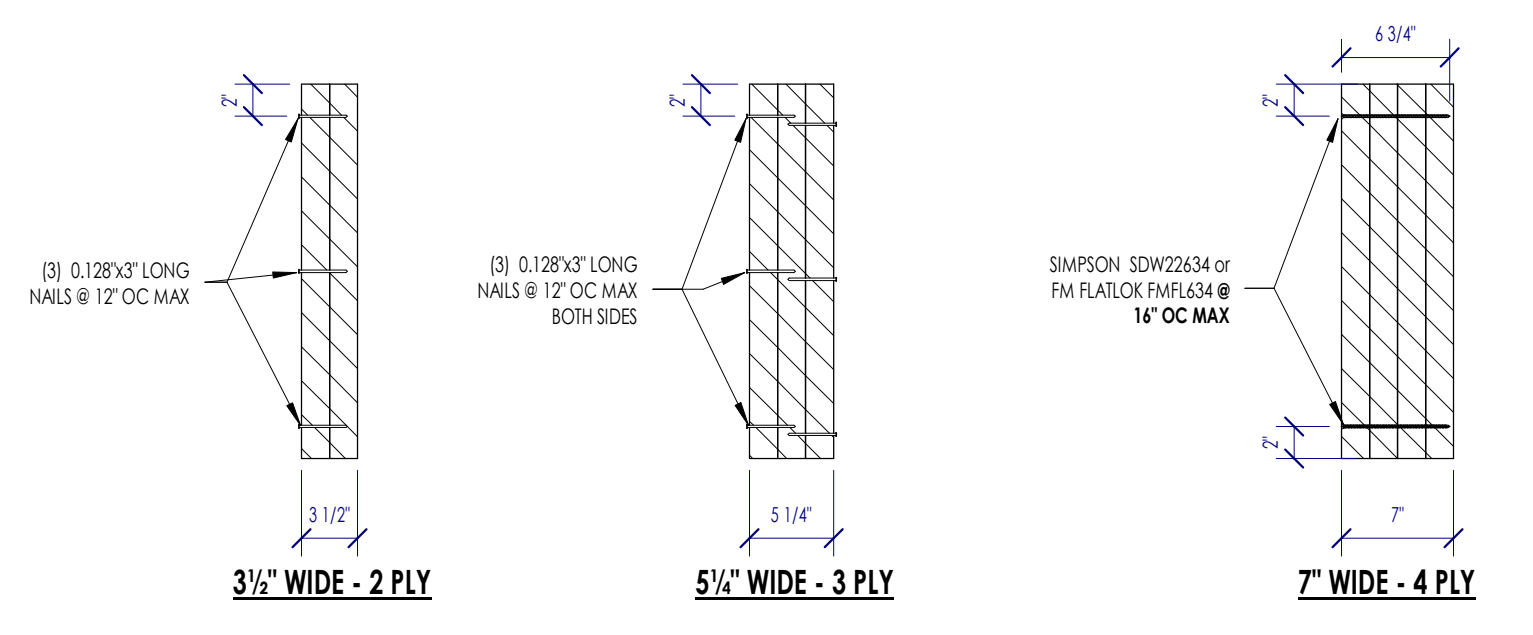


6C S4.0 ALLOWABLE NOTCHING AND BORING OF FLOOR JOISTS



NOTES:
1. FastenerMaster FrameFAST STRUCTURAL WOOD SCREWS (FrameFAST FASTENERS) MAY BE SUBSTITUTED FOR H2.5A CLIPS.

4C S4.0 ALLOWABLE SUBSTITUTION OF H2.5A CLIPS WITH FrameFAST SCREWS - UPLIFT LOAD PATH



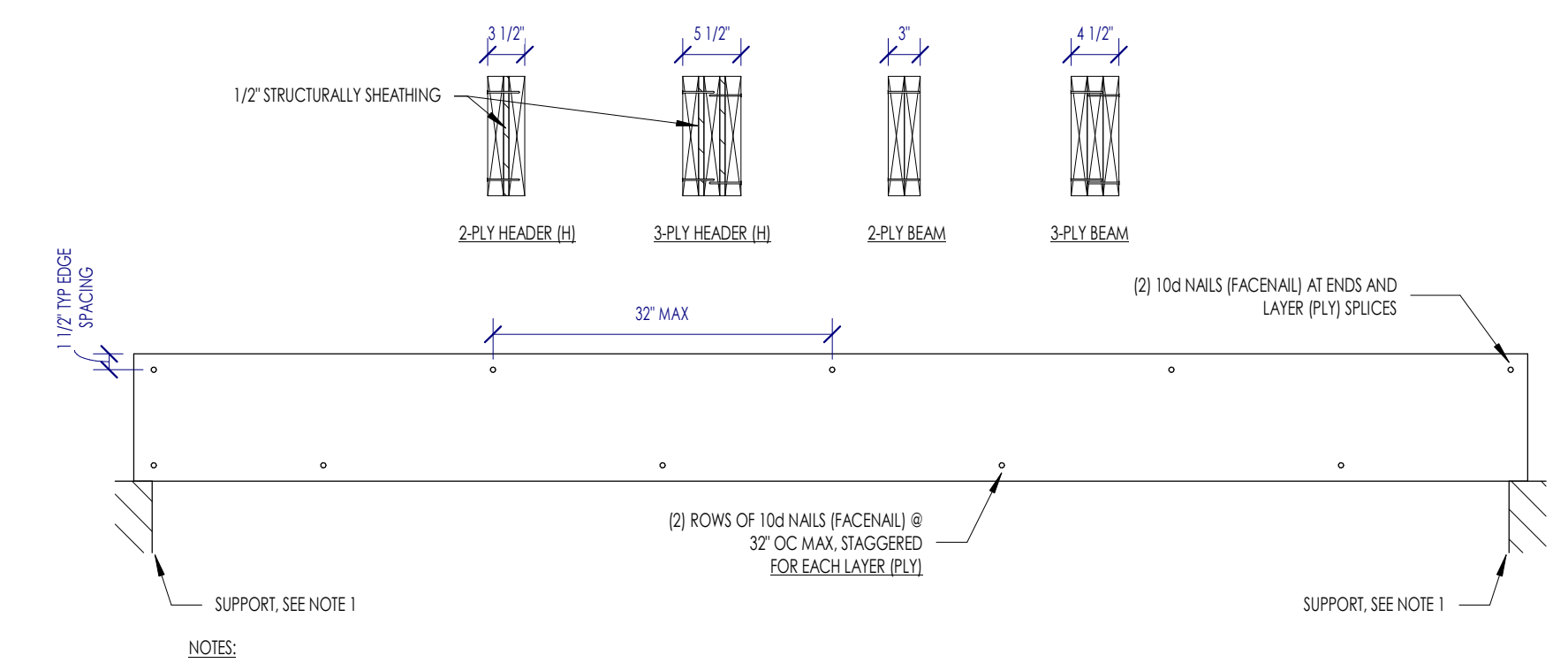
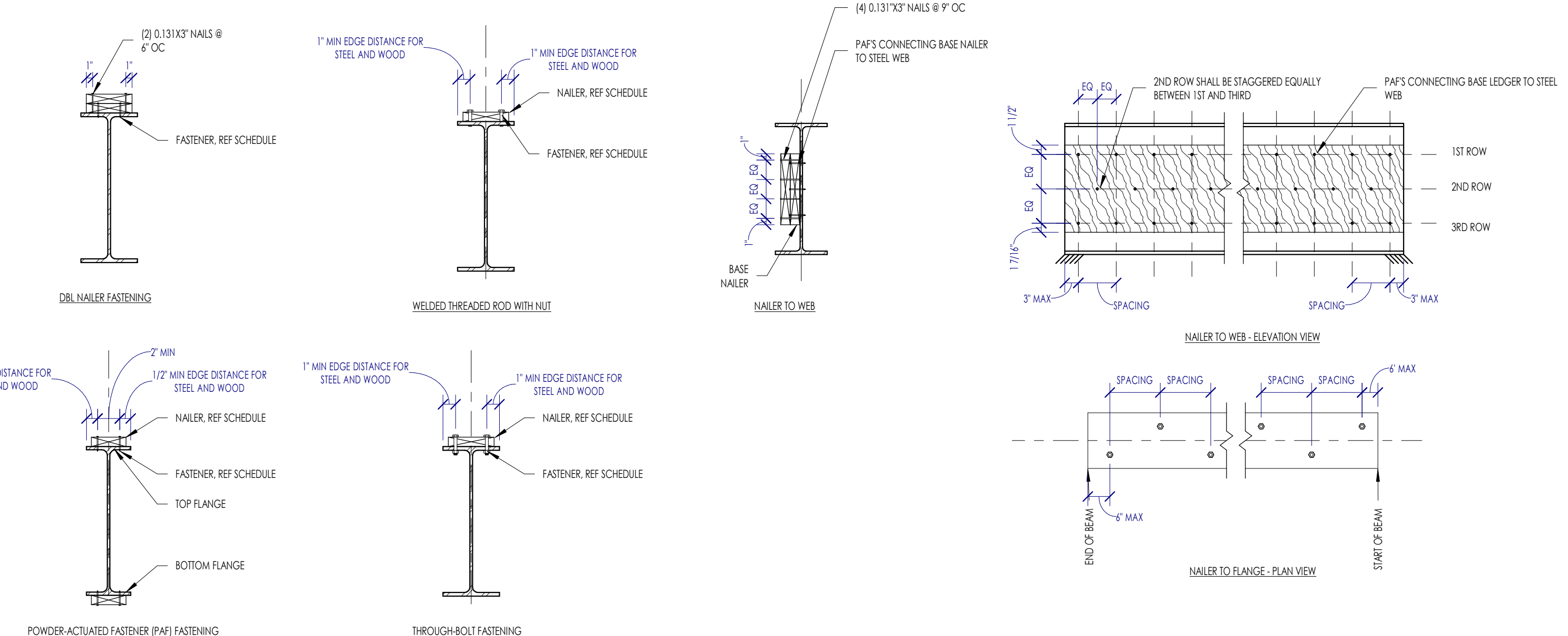
2C S4.0 TYPICAL LVL MULTIPLE PLY FASTENING REQUIREMENTS

FASTENER SCHEDULE - TO BEAM TOP FLANGE			FASTENER SCHEDULE - TO BEAM WEB / BOTTOM FLANGE		
l ₁ (ft)	PAF FASTENER	BOLT / ROD*	l ₂ (ft)	PAF FASTENER	BOLT / ROD*
≤ 0.35	X-41 @ 12" OC	1/2"Ø @ 24" OC	≤ 0.35	(1) - X-41 @ 12" OC	(2) - 1/2"Ø @ 24" OC
0.35 < l ₁ ≤ 0.44	D5-47 @ 12" OC	1/2"Ø @ 24" OC	0.35 < l ₂ ≤ 0.44	(1) - D5-47 @ 12" OC	(2) - 1/2"Ø @ 24" OC
l ₁ > 0.44	N/A	1/2"Ø @ 12" OC	l ₂ > 0.44	N/A	(2) - 1/2"Ø @ 12" OC

NAILER SCHEDULE - TO BEAM FLANGE		NAILER SCHEDULE - TO BEAM WEB	
b (ft)	NAILER SIZE	d (ft)	NAILER SIZE
≤ 5.5	2x4	≤ 5	2x4
5.5 < b ≤ 7.25	2x6	5 < d ≤ 6.75	2x6
l > 7.25	2x8	6.75 < d ≤ 8.75	2x8
		8.75 < d ≤ 10.75	2x10
		10.75 < d ≤ 15	(2) - 2x8
		15 < d ≤ 19	(2) - 2x10
		19 < d ≤ 23	(2) - 2x12
		d > 23	(3) - 2x8

NOTES:
1. ALL FASTENERS SHALL BE STAGGERED.
2. FASTENER DESCRIPTIONS: ALL FASTENERS ARE POWDER-ACTUATED FASTENERS MFR'D BY HELI, INC.
A. 80147
B. 80147
C. UNIVERSAL KNURLED SHANK FASTENER WITH A SHANK DIAMETER OF 0.157" AND A SHANK LENGTH OF 47 mm (1.85")
D. 80147
E. HEAVY DUTY SMOOTH SHANK FASTENER WITH A SHANK DIAMETER OF 0.177" AND A SHANK LENGTH OF 47 mm (1.85")
3. FASTENER INSTALLATION SHALL FOLLOW ALL SPECIFICATIONS PER THE MFR.
4. THROUGH BOLTS SHALL BE GALVANNEED ASTM A507 BOLTS. THROUGH BOLTS SHALL BE GALVANNEED ASTM F1554 GR.36.

4A S4.0 WOOD NAILER TO TOP OF STRUCTURAL STEEL



NOTES:
1. UNLESS NOTED OTHERWISE ON PLAN, REFER TO THE FOLLOWING DETAILS FOR THE SUPPORT FRAMING:
A. SUPPORT FOR HEADERS IN EXTERIOR WALLS 4C/S4.0
B. SUPPORT FOR HEADERS IN INTERIOR WALLS 3B/S4.0
C. SUPPORT FOR BEAMS & GIRDERS SUPPORTED BY WALL - REFER TO BEAM SCHEDULE
2. 100 NAILS (FACE NAIL) AT ENDS AND LAYER (PLY) SPICES
3. 2" MAX SPACING
4. 3" MAX SPACING
5. 4" MAX SPACING
6. 5" MAX SPACING
7. 6" MAX SPACING
8. 7" MAX SPACING
9. 8" MAX SPACING
10. 9" MAX SPACING
11. 10" MAX SPACING
12. 11" MAX SPACING
13. 12" MAX SPACING
14. 13" MAX SPACING
15. 14" MAX SPACING
16. 15" MAX SPACING
17. 16" MAX SPACING
18. 17" MAX SPACING
19. 18" MAX SPACING
20. 19" MAX SPACING
21. 20" MAX SPACING
22. 21" MAX SPACING
23. 22" MAX SPACING
24. 23" MAX SPACING
25. 24" MAX SPACING
26. 25" MAX SPACING
27. 26" MAX SPACING
28. 27" MAX SPACING
29. 28" MAX SPACING
30. 29" MAX SPACING
31. 30" MAX SPACING
32. 31" MAX SPACING
33. 32" MAX SPACING
34. 33" MAX SPACING
35. 34" MAX SPACING
36. 35" MAX SPACING
37. 36" MAX SPACING
38. 37" MAX SPACING
39. 38" MAX SPACING
40. 39" MAX SPACING
41. 40" MAX SPACING
42. 41" MAX SPACING
43. 42" MAX SPACING
44. 43" MAX SPACING
45. 44" MAX SPACING
46. 45" MAX SPACING
47. 46" MAX SPACING
48. 47" MAX SPACING
49. 48" MAX SPACING
50. 49" MAX SPACING
51. 50" MAX SPACING
52. 51" MAX SPACING
53. 52" MAX SPACING
54. 53" MAX SPACING
55. 54" MAX SPACING
56. 55" MAX SPACING
57. 56" MAX SPACING
58. 57" MAX SPACING
59. 58" MAX SPACING
60. 59" MAX SPACING
61. 60" MAX SPACING
62. 61" MAX SPACING
63. 62" MAX SPACING
64. 63" MAX SPACING
65. 64" MAX SPACING
66. 65" MAX SPACING
67. 66" MAX SPACING
68. 67" MAX SPACING
69. 68" MAX SPACING
70. 69" MAX SPACING
71. 70" MAX SPACING
72. 71" MAX SPACING
73. 72" MAX SPACING
74. 73" MAX SPACING
75. 74" MAX SPACING
76. 75" MAX SPACING
77. 76" MAX SPACING
78. 77" MAX SPACING
79. 78" MAX SPACING
80. 79" MAX SPACING
81. 80" MAX SPACING
82. 81" MAX SPACING
83. 82" MAX SPACING
84. 83" MAX SPACING
85. 84" MAX SPACING
86. 85" MAX SPACING
87. 86" MAX SPACING
88. 87" MAX SPACING
89. 88" MAX SPACING
90. 89" MAX SPACING
91. 90" MAX SPACING
92. 91" MAX SPACING
93. 92" MAX SPACING
94. 93" MAX SPACING
95. 94" MAX SPACING
96. 95" MAX SPACING
97. 96" MAX SPACING
98. 97" MAX SPACING
99. 98" MAX SPACING
100. 99" MAX SPACING
101. 100" MAX SPACING
102. 101" MAX SPACING
103. 102" MAX SPACING
104. 103" MAX SPACING
105. 104" MAX SPACING
106. 105" MAX SPACING
107. 106" MAX SPACING
108. 107" MAX SPACING
109. 108" MAX SPACING
110. 109" MAX SPACING
111. 110" MAX SPACING
112. 111" MAX SPACING
113. 112" MAX SPACING
114. 113" MAX SPACING
115. 114" MAX SPACING
116. 115" MAX SPACING
117. 116" MAX SPACING
118. 117" MAX SPACING
119. 118" MAX SPACING
120. 119" MAX SPACING
121. 120" MAX SPACING
122. 121" MAX SPACING
123. 122" MAX SPACING
124. 123" MAX SPACING
125. 124" MAX SPACING
126. 125" MAX SPACING
127. 126" MAX SPACING
128. 127" MAX SPACING
129. 128" MAX SPACING
130. 129" MAX SPACING
131. 130" MAX SPACING
132. 131" MAX SPACING
133. 132" MAX SPACING
134. 133" MAX SPACING
135. 134" MAX SPACING
136. 135" MAX SPACING
137. 136" MAX SPACING
138. 137" MAX SPACING
139. 138" MAX SPACING
140. 139" MAX SPACING
141. 140" MAX SPACING
142. 141" MAX SPACING
143. 142" MAX SPACING
144. 143" MAX SPACING
145. 144" MAX SPACING
146. 145" MAX SPACING
147. 146" MAX SPACING
148. 147" MAX SPACING
149. 148" MAX SPACING
150. 149" MAX SPACING
151. 150" MAX SPACING
152. 151" MAX SPACING
153. 152" MAX SPACING
154. 153" MAX SPACING
155. 154" MAX SPACING
156. 155" MAX SPACING
157. 156" MAX SPACING
158. 157" MAX SPACING
159. 158" MAX SPACING
160. 159" MAX SPACING
161. 160" MAX SPACING
162. 161" MAX SPACING
163. 162" MAX SPACING
164. 163" MAX SPACING
165. 164" MAX SPACING
166. 165" MAX SPACING
167. 166" MAX SPACING
168. 167" MAX SPACING
169. 168" MAX SPACING
170. 169" MAX SPACING
171. 170" MAX SPACING
172. 171" MAX SPACING
173. 172" MAX SPACING
174. 173" MAX SPACING
175. 174" MAX SPACING
176. 175" MAX SPACING
177. 176" MAX SPACING
178. 177" MAX SPACING
179. 178" MAX SPACING
180. 179" MAX SPACING
181. 180" MAX SPACING
182. 181" MAX SPACING
183. 182" MAX SPACING
184. 183" MAX SPACING
185. 184" MAX SPACING
186. 185" MAX SPACING
187. 186" MAX SPACING
188. 187" MAX SPACING
189. 188" MAX SPACING
190. 189" MAX SPACING
191. 190" MAX SPACING
192. 191" MAX SPACING
193. 192" MAX SPACING
194. 193" MAX SPACING
195. 194" MAX SPACING
196. 195" MAX SPACING
197. 196" MAX SPACING
198. 197" MAX SPACING
199. 198" MAX SPACING
200. 199" MAX SPACING
201. 200" MAX SPACING
202. 201" MAX SPACING
203. 202" MAX SPACING
204. 203" MAX SPACING
205. 204" MAX SPACING
206. 205" MAX SPACING
207. 206" MAX SPACING
208. 207" MAX SPACING
209. 208" MAX SPACING
210. 209" MAX SPACING
211. 210" MAX SPACING
212. 211" MAX SPACING
213. 212" MAX SPACING
214. 213" MAX SPACING
215. 214" MAX SPACING
216. 215" MAX SPACING
217. 216" MAX SPACING
218. 217" MAX SPACING
219. 218" MAX SPACING
220. 219" MAX SPACING
221. 220" MAX SPACING
222. 221" MAX SPACING
223. 222" MAX SPACING
224. 223" MAX SPACING
225. 224" MAX SPACING
226. 225" MAX SPACING
227. 226" MAX SPACING
228. 227" MAX SPACING
229. 228" MAX SPACING
230. 229" MAX SPACING
231. 230" MAX SPACING
232. 231" MAX SPACING
233. 232" MAX SPACING
234. 233" MAX SPACING
235. 234" MAX SPACING
236. 235" MAX SPACING
237. 236" MAX SPACING
238. 237" MAX SPACING
239. 238" MAX SPACING
240. 239" MAX SPACING
241. 240" MAX SPACING
242. 241" MAX SPACING
243. 242" MAX SPACING
244. 243" MAX SPACING
245. 244" MAX SPACING
246. 245" MAX SPACING
247. 246" MAX SPACING
248. 247" MAX SPACING
249. 248" MAX SPACING
250. 249" MAX SPACING
251. 250" MAX SPACING
252. 251" MAX SPACING
253. 252" MAX SPACING
254. 253" MAX SPACING
255. 254" MAX SPACING
256. 255" MAX SPACING
257. 256" MAX SPACING
258. 257" MAX SPACING
259. 258" MAX SPACING
260. 259" MAX SPACING
261. 260" MAX SPACING
262. 261" MAX SPACING
263. 262" MAX SPACING
264. 263" MAX SPACING
265. 264" MAX SPACING
266. 265" MAX SPACING
267. 266" MAX SPACING
268. 267" MAX SPACING
269. 268" MAX SPACING
270. 269" MAX SPACING
271. 270" MAX SPACING
272. 271" MAX SPACING
273. 272" MAX SPACING
274. 273" MAX SPACING
275. 274" MAX SPACING
276. 275" MAX SPACING
277. 276" MAX SPACING
278. 277" MAX SPACING
279. 278" MAX SPACING
280. 279" MAX SPACING
281. 280" MAX SPACING
282. 281" MAX SPACING
283. 282" MAX SPACING
284. 283" MAX SPACING
285. 284" MAX SPACING
286. 285" MAX SPACING
287. 286" MAX SPACING
288. 287" MAX SPACING
289. 288" MAX SPACING
290. 289" MAX SPACING
291. 290" MAX SPACING
292. 291" MAX SPACING
293. 292" MAX SPACING
294. 293" MAX SPACING
295. 294" MAX SPACING
296. 295" MAX SPACING
297. 296" MAX SPACING
298. 297" MAX SPACING
299. 298" MAX SPACING
300. 299" MAX SPACING
301. 300" MAX SPACING
302. 301" MAX SPACING
303. 302" MAX SPACING
304. 303" MAX SPACING
305. 304" MAX SPACING
306. 305" MAX SPACING
307. 306" MAX SPACING
308. 307" MAX SPACING
309. 308" MAX SPACING
310. 309" MAX SPACING
311. 310" MAX SPACING
312. 311" MAX SPACING
313. 312" MAX SPACING
314. 313" MAX SPACING
315. 314" MAX SPACING
316. 315" MAX SPACING
317. 316" MAX SPACING
318. 317" MAX SPACING
319. 318" MAX SPACING
320. 319" MAX SPACING
321. 320" MAX SPACING
322. 321" MAX SPACING
323. 322" MAX SPACING
324. 323" MAX SPACING
325. 324" MAX SPACING
326. 325" MAX SPACING
327. 326" MAX SPACING
328. 327" MAX SPACING
329. 328" MAX SPACING
330. 329" MAX SPACING
331. 330" MAX SPACING
332. 331" MAX SPACING
333. 332" MAX SPACING
334. 333" MAX SPACING
335. 334" MAX SPACING
336. 335" MAX SPACING
337. 336" MAX SPACING
338. 337" MAX SPACING
339. 338" MAX SPACING
340. 339" MAX SPACING
341. 340" MAX SPACING
342. 341" MAX SPACING
343. 342" MAX SPACING
344. 343" MAX SPACING
345. 344" MAX SPACING
346. 345" MAX SPACING
347. 346" MAX SPACING
348. 347" MAX SPACING
349. 348" MAX SPACING
350. 349" MAX SPACING
351. 350" MAX SPACING
352. 351" MAX SPACING
353. 352" MAX SPACING
354. 353" MAX SPACING
355. 354" MAX SPACING
356. 355" MAX SPACING
357. 356" MAX SPACING
358. 357" MAX SPACING
359. 358" MAX SPACING
360. 359" MAX SPACING
361. 360" MAX SPACING
362. 361" MAX SPACING
363. 362" MAX SPACING
364. 363" MAX SPACING
365. 364" MAX SPACING
366. 365" MAX SPACING
367. 366" MAX SPACING
368. 367" MAX SPACING
369. 368" MAX SPACING
370. 369" MAX SPACING
371. 370" MAX SPACING
372. 371" MAX SPACING
373. 372" MAX SPACING
374. 373" MAX SPACING
375. 374" MAX SPACING
376. 375" MAX SPACING
377. 376" MAX SPACING
378. 377" MAX SPACING
379. 378" MAX SPACING
380. 379" MAX SPACING
381. 380" MAX SPACING
382. 381" MAX SPACING
383. 382" MAX SPACING
384. 383" MAX SPACING
385. 384" MAX SPACING
386. 385" MAX SPACING
387. 386" MAX SPACING
388. 387" MAX SPACING
389. 388" MAX SPACING
390. 389" MAX SPACING
391. 390" MAX SPACING
392. 391" MAX SPACING
393. 392" MAX SPACING
394. 393" MAX SPACING
395. 394" MAX SPACING
396. 395" MAX SPACING
397. 396" MAX SPACING
398. 397" MAX SPACING
399. 398" MAX SPACING
400. 399" MAX SPACING
401. 400" MAX SPACING
402. 401" MAX SPACING
403. 402" MAX SPACING
404. 403" MAX SPACING
405. 404" MAX SPACING
406. 405" MAX SPACING
407. 406" MAX SPACING
408. 407" MAX SPACING
409. 408" MAX SPACING
410. 409" MAX SPACING
411. 410" MAX SPACING
412. 411" MAX SPACING
413. 412" MAX SPACING
414. 413" MAX SPACING
415. 414" MAX SPACING
416. 415" MAX SPACING
417. 416" MAX SPACING
418. 417" MAX SPACING
419. 418" MAX SPACING
420. 419" MAX SPACING
421. 420" MAX SPACING
422. 421" MAX SPACING
423. 422" MAX SPACING
424. 423" MAX SPACING
425. 424" MAX SPACING
426. 425" MAX SPACING
427. 426" MAX SPACING
428. 427" MAX SPACING
429. 428" MAX SPACING
430. 429" MAX SPACING
431. 430" MAX SPACING
432. 431" MAX SPACING
433. 432" MAX SPACING
434. 433" MAX SPACING
435. 434" MAX SPACING
436. 435" MAX SPACING
437. 436" MAX SPACING
438. 437" MAX SPACING
439. 438" MAX SPACING
440. 439" MAX SPACING
441. 440" MAX SPACING
442. 441" MAX SPACING
443. 442" MAX SPACING
444. 443" MAX SPACING
445. 444" MAX SPACING
446. 445" MAX SPACING
447. 446" MAX SPACING
448. 447" MAX SPACING
449. 448" MAX SPACING
450. 449" MAX SPACING
451. 450" MAX SPACING
452. 451" MAX SPACING
453. 452" MAX SPACING
454. 453" MAX SPACING
455. 454" MAX SPACING
456. 455" MAX SPACING
457. 456" MAX SPACING
458. 457" MAX SPACING
459. 458" MAX SPACING
460. 459" MAX SPACING
461. 460" MAX SPACING
462. 461" MAX SPACING
463. 462" MAX SPACING
464. 463" MAX SPACING
465. 464" MAX SPACING
466. 465" MAX SPACING
467. 466" MAX SPACING
468. 467" MAX SPACING
469. 468" MAX SPACING
470. 469" MAX SPACING
471. 470" MAX SPACING
472. 471" MAX SPACING
473. 472" MAX SPACING
474. 473" MAX SPACING
475. 474" MAX SPACING
476. 475" MAX SPACING
477. 476" MAX SPACING
478. 477" MAX SPACING
479. 478" MAX SPACING
480. 479" MAX SPACING
481. 480" MAX SPACING
482. 481" MAX SPACING
483. 482" MAX SPACING
484. 483" MAX SPACING
485. 484" MAX SPACING
486. 485" MAX SPACING
487. 486" MAX SPACING
488. 487" MAX SPACING
489. 488" MAX SPACING
490. 489" MAX SPACING
491. 490" MAX SPACING
492. 491" MAX SPACING
493. 492" MAX SPACING
494. 493" MAX SPACING
495. 494" MAX SPACING
496. 495" MAX SPACING
497. 496" MAX SPACING
498. 497" MAX SPACING
499. 498" MAX SPACING
500. 499" MAX SPACING
501. 500" MAX SPACING
502. 501" MAX SPACING
503. 502" MAX SPACING
504. 503" MAX SPACING
505. 504" MAX SPACING
506. 505" MAX SPACING
507. 506" MAX SPACING
508. 507" MAX SPACING
509. 508" MAX SPACING
510. 509" MAX SPACING
511. 510" MAX SPACING
512. 511" MAX SPACING
513. 512" MAX SPACING
514. 513" MAX SPACING
515. 514" MAX SPACING
516. 515" MAX SPACING
517. 516" MAX SPACING
518. 517" MAX SPACING
519. 518" MAX SPACING
520. 519" MAX SPACING
521. 520" MAX SPACING
522. 521" MAX SPACING
523. 522" MAX SPACING
524. 523" MAX SPACING
525. 524" MAX SPACING
526. 525" MAX SPACING
527. 526" MAX SPACING
528. 527" MAX SPACING
529. 528" MAX SPACING
530. 529" MAX SPACING
531. 530" MAX SPACING
532. 531" MAX SPACING
533. 532" MAX SPACING
534. 533" MAX SPACING
535. 534" MAX SPACING
536. 535" MAX SPACING
537. 536" MAX SPACING
538. 537" MAX SPACING
539. 538" MAX SPACING
540. 539" MAX SPACING
541. 540" MAX SPACING
542. 541" MAX SPACING
543. 542" MAX SPACING
544. 543" MAX SPACING
545. 544" MAX SPACING
546. 545" MAX SPACING
547. 546" MAX SPACING
548. 547" MAX SPACING
549. 548" MAX SPACING
550. 549" MAX SPACING
551. 550" MAX SPACING
552. 551" MAX SPACING
553. 552" MAX SPACING
554. 553" MAX SPACING
555. 554" MAX SPACING
556. 555" MAX SPACING
557. 556" MAX SPACING
558. 557" MAX SPACING
559. 558" MAX SPACING
560. 559" MAX SPACING
561. 560" MAX SPACING
562. 561" MAX SPACING
563. 562" MAX SPACING
564. 563" MAX SPACING
565. 564" MAX SPACING
566. 565" MAX SPACING
567. 566" MAX SPACING
568. 567" MAX SPACING
569. 568" MAX SPACING
570. 569" MAX SPACING
571. 570" MAX SPACING
572. 571" MAX SPACING
573. 572" MAX SPACING
574. 573" MAX SPACING
575. 574" MAX SPACING
576. 575" MAX SPACING
577. 576" MAX SPACING
578. 577" MAX SPACING
579. 578" MAX SPACING
580. 579" MAX SPACING
581. 580" MAX SPACING
582. 581" MAX SPACING
583. 582" MAX SPACING
584. 583" MAX SPACING
585. 584" MAX SPACING
586. 585" MAX SPACING
587. 586" MAX SPACING
588. 587" MAX SPACING
589. 588" MAX SPACING
590. 589" MAX SPACING
591. 590" MAX SPACING
592. 591" MAX SPACING
593. 592" MAX SPACING
594. 593" MAX SPACING
595. 594" MAX SPACING
596. 595" MAX SPACING
597. 596" MAX SPACING
598. 597" MAX SPACING
599. 598" MAX SPACING
600. 599"