

RENOVATION
Wranglers
Owner: Renovation Wranglers
102 E 26th St
Bryan, TX 77803
Katherine@renotime.com | 979.450.9969

ARCHITECTURE
Architect of Record: LKB Architecture
2929 Allen Pkwy Suite 200
Houston, TX 77019
lisa@lkbarchitecture.com | 713.425.3076

DUDDLEY
Structural: Dudley
Firm # 18677
6102 Imperial Loop Drive
College Station, TX 77845
coofeka@dudleyeng.com | (979) 777-0720

amc
ENGINEERS
MEP: AMC Engineers
Texas Firm #9441
508 E Jackson St # 552
Burrket, TX 78611
info@amcengineers.com | 512.535.6427

REGISTERED ARCHITECT
LISA B. BIXLER
STATE OF TEXAS
22039
8.26.22

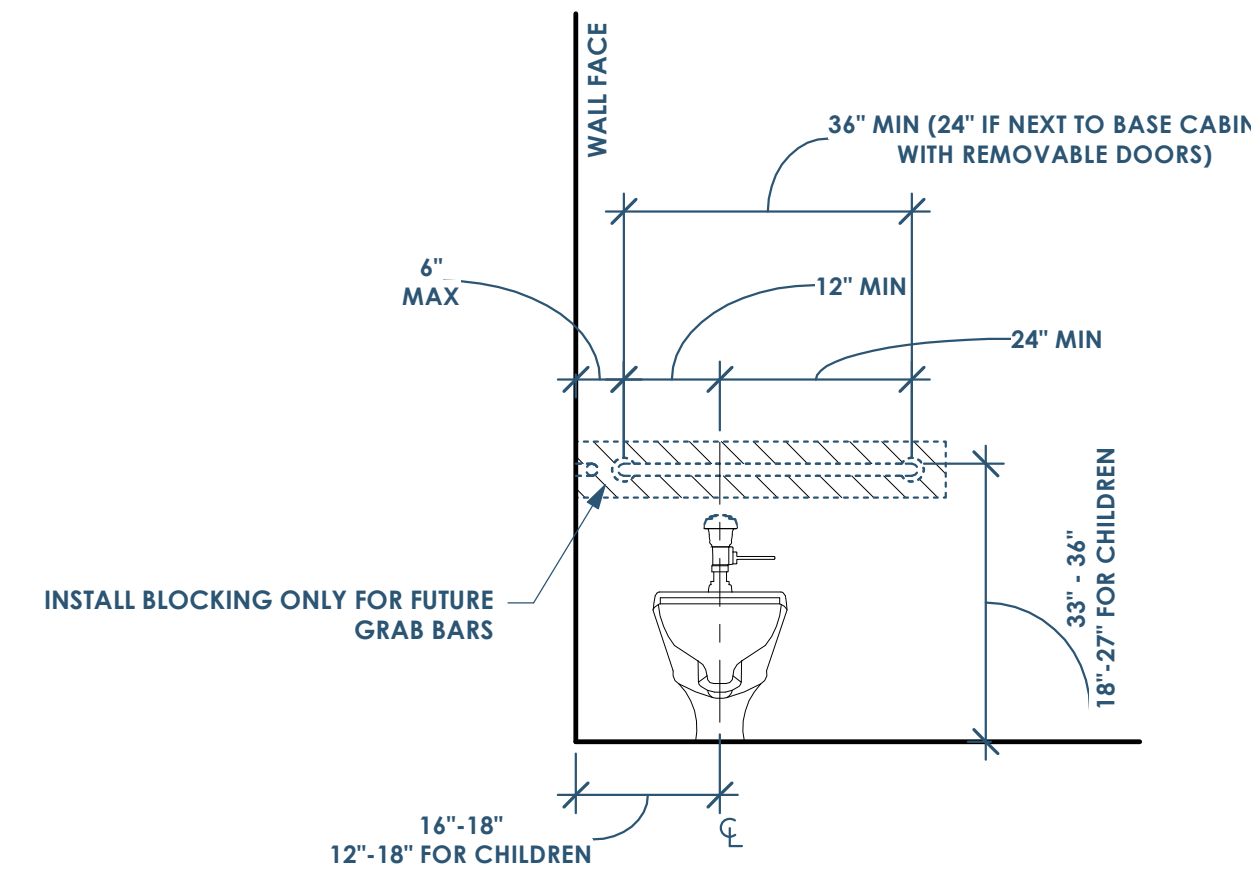
This project, like most OpeningDesign's projects, is open source (Attribution-ShareAlike 4.0 International-CC BY-SA 4.0)-freely available to any party for future use, assuming the terms such as Attribution and ShareAlike are honored.

openingdesign
Architect: OpeningDesign
17 S Fairchild | FL 7
Madison, WI 53703
ryan@openingdesign.com | 773.425.6456

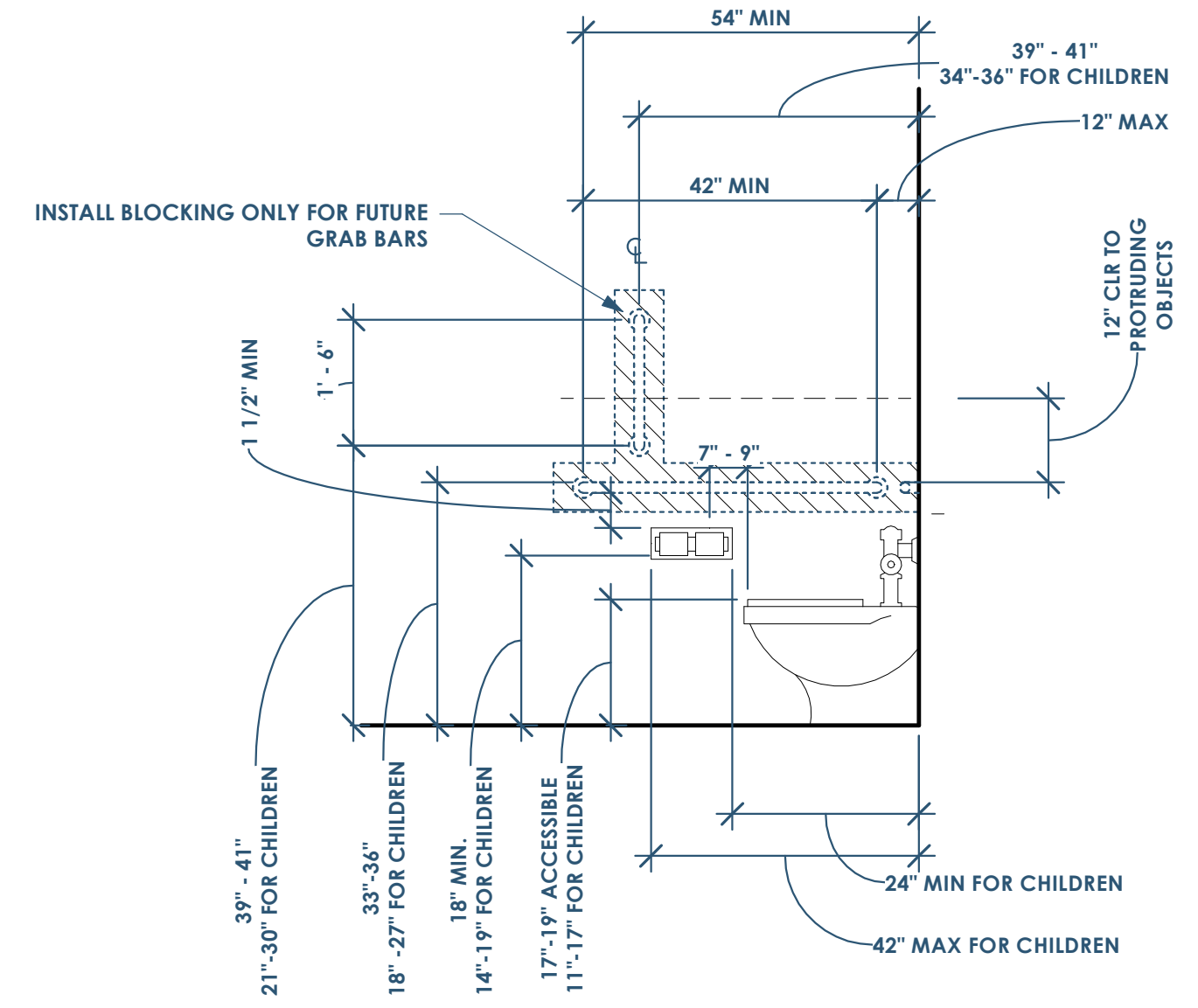
Date	Description
04/10/2022	Issued for Permit
08/26/2022	Permit Revisions

GENERAL NOTES:

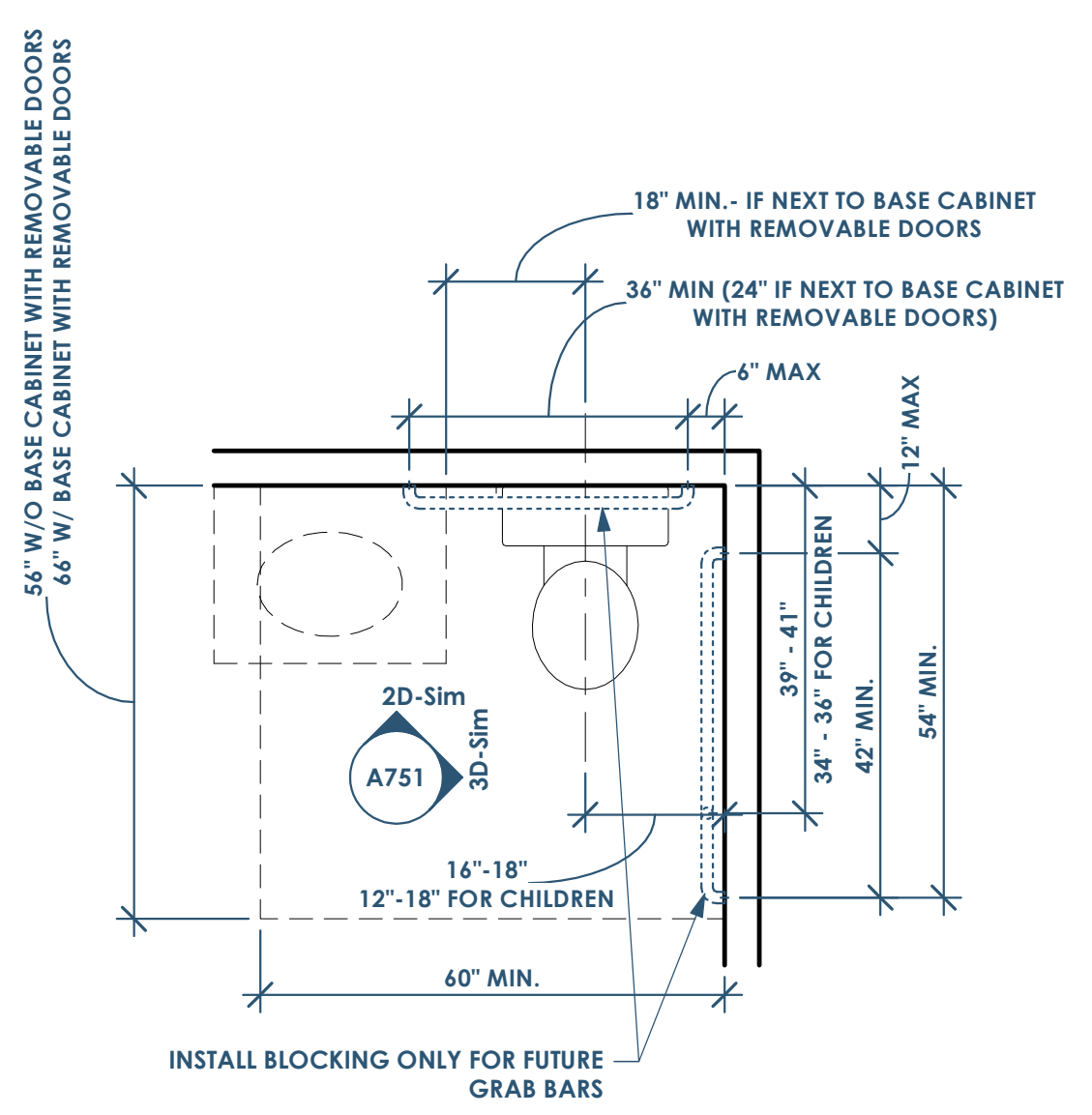
- NOTE: PER IBC1210.2.2 WALLS AND PARTITIONS WITHIN 2 FEET (610MM) OF SERVICE SINKS, URINALS AND WATER CLOSETS SHALL HAVE A SMOOTH, HARD, NONABSORBENT SURFACE, TO A HEIGHT OF NOT LESS THAN 4 FEET (1219 MM) ABOVE THE FLOOR, AND EXCEPT FOR STRUCTURAL ELEMENTS, THE MATERIAL USED IN SUCH WALLS SHALL BE OF A TYPE THAT IS NOT ADVERSELY AFFECTED BY MOISTURE
- THESE ADA CLEARANCES AND GRAB BAR BLOCKING ARE ONLY REQUIRED FOR THE 1ST FLOOR UNITS



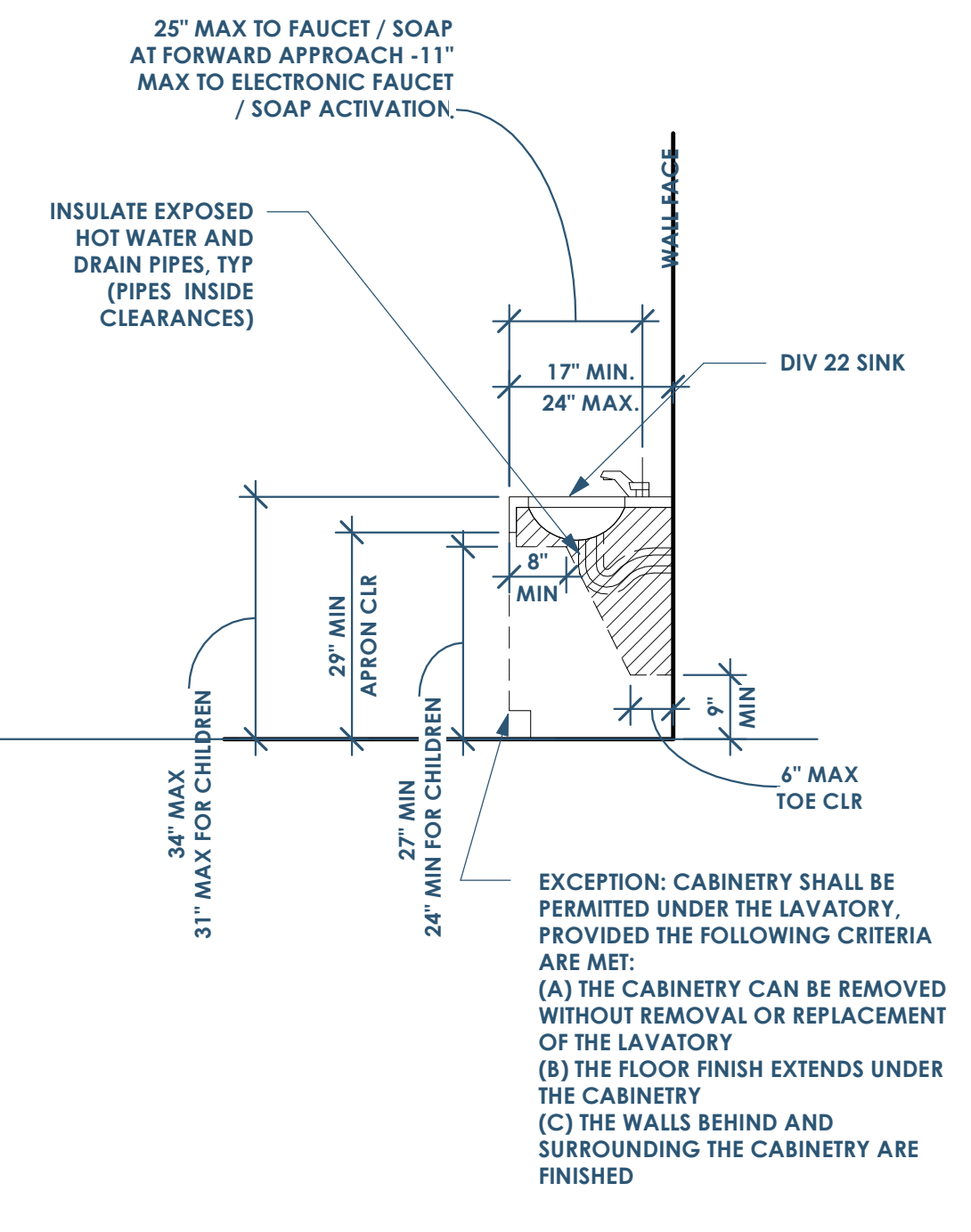
2D ADA - TYPE A - WATER CLOSET - FRONT
1/2" = 1'-0"



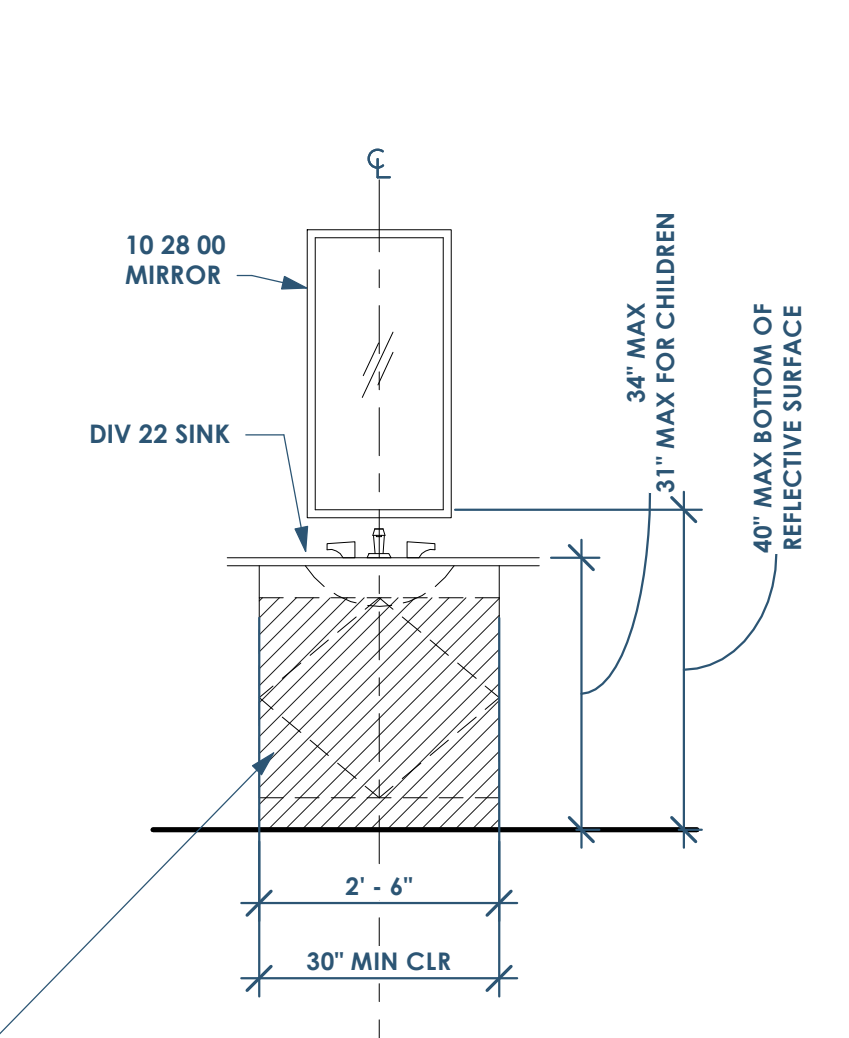
3D ADA - TYPE A - WATER CLOSET - SIDE
1/2" = 1'-0"



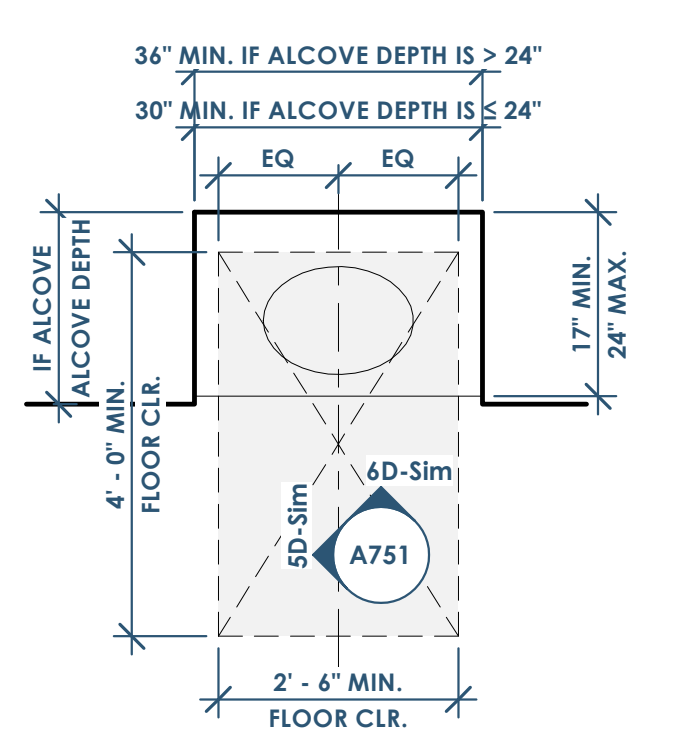
4D ADA - TYPE A - WATER CLOSET - FLOOR PLAN (OR TYPE B FRONT APPROACH)
1/2" = 1'-0"



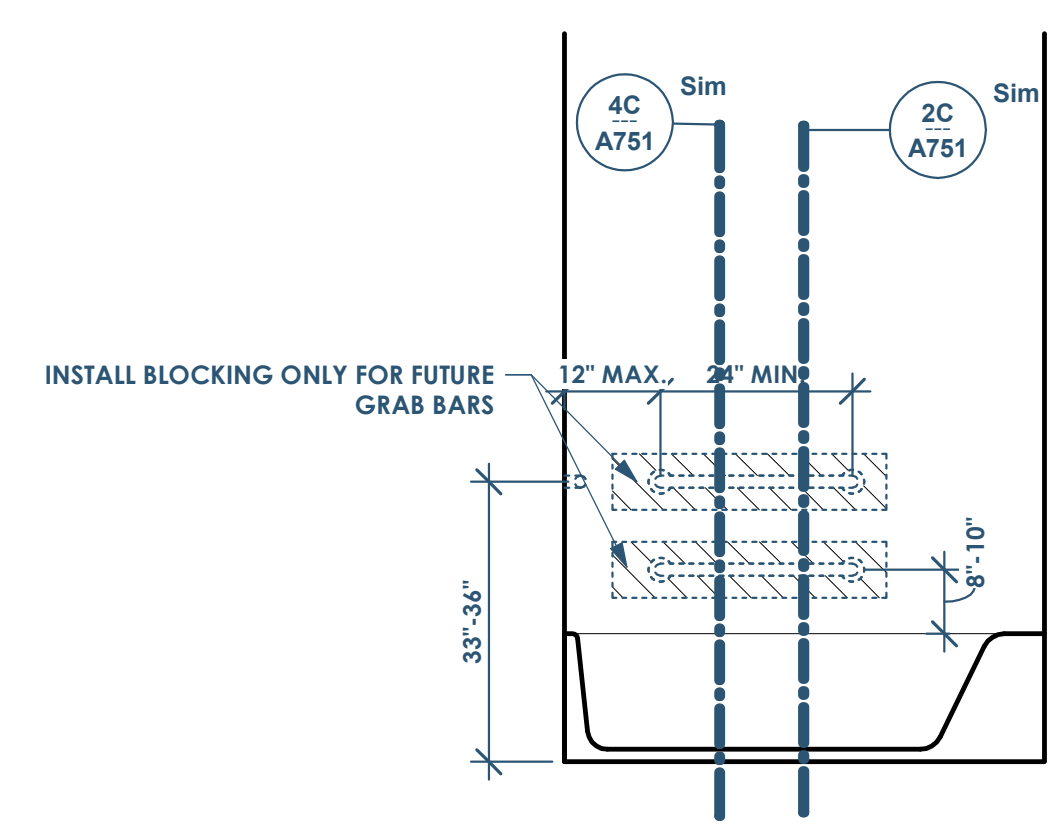
5D ADA - TYPE A - LAVATORY - SIDE (OR TYPE B FRONT APPROACH)
1/2" = 1'-0"



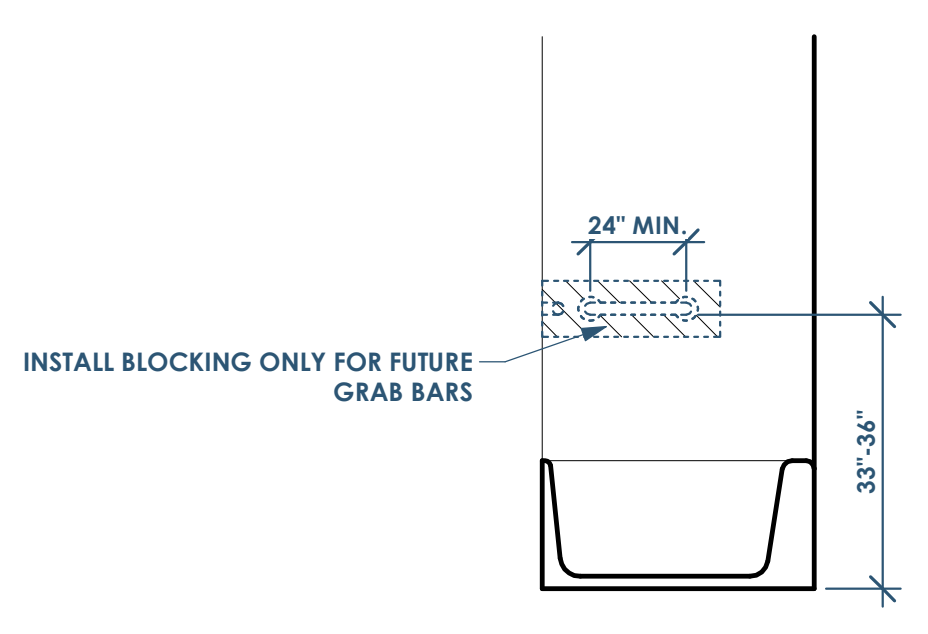
6D ADA - TYPE A - LAVATORY - FRONT (OR TYPE B FRONT APPROACH)
1/2" = 1'-0"



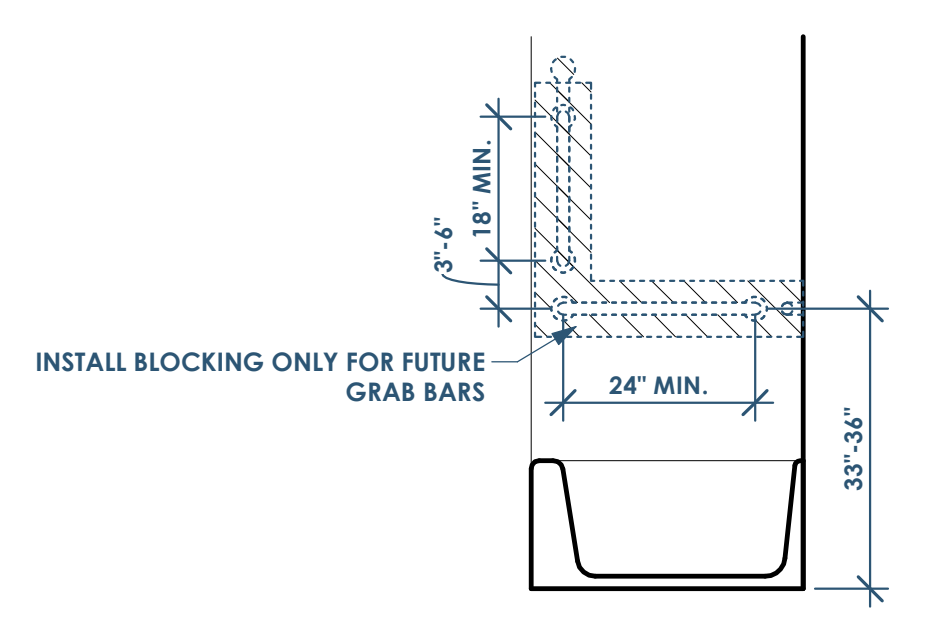
4C ADA - TYPE A & B - BATH - CONTROLS SIDE
1/2" = 1'-0"



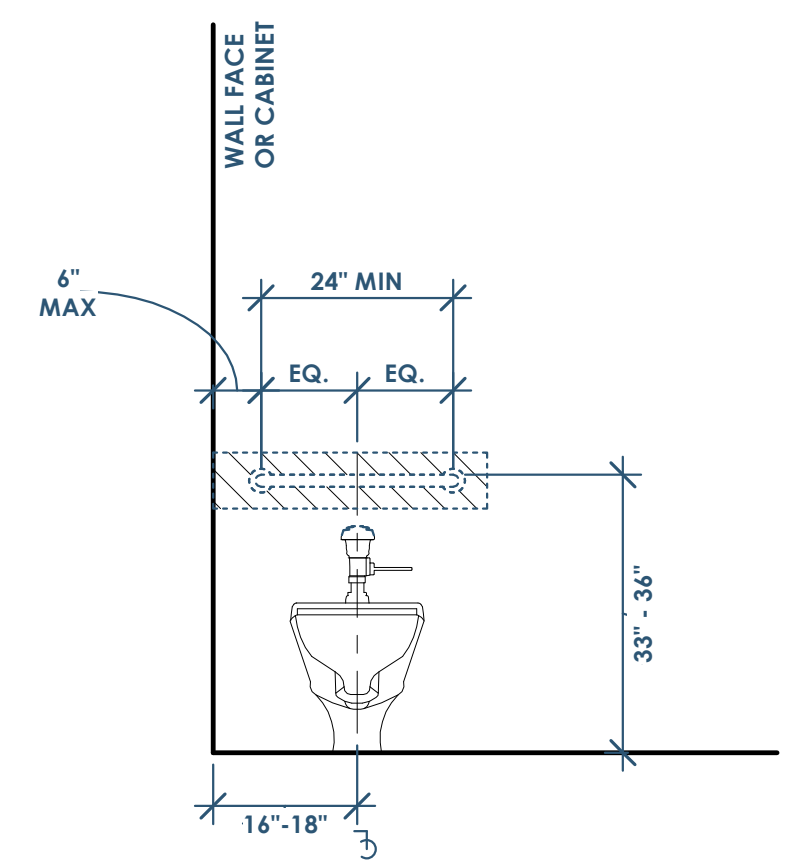
3C ADA - TYPE A & B - BATH - FRONT
1/2" = 1'-0"



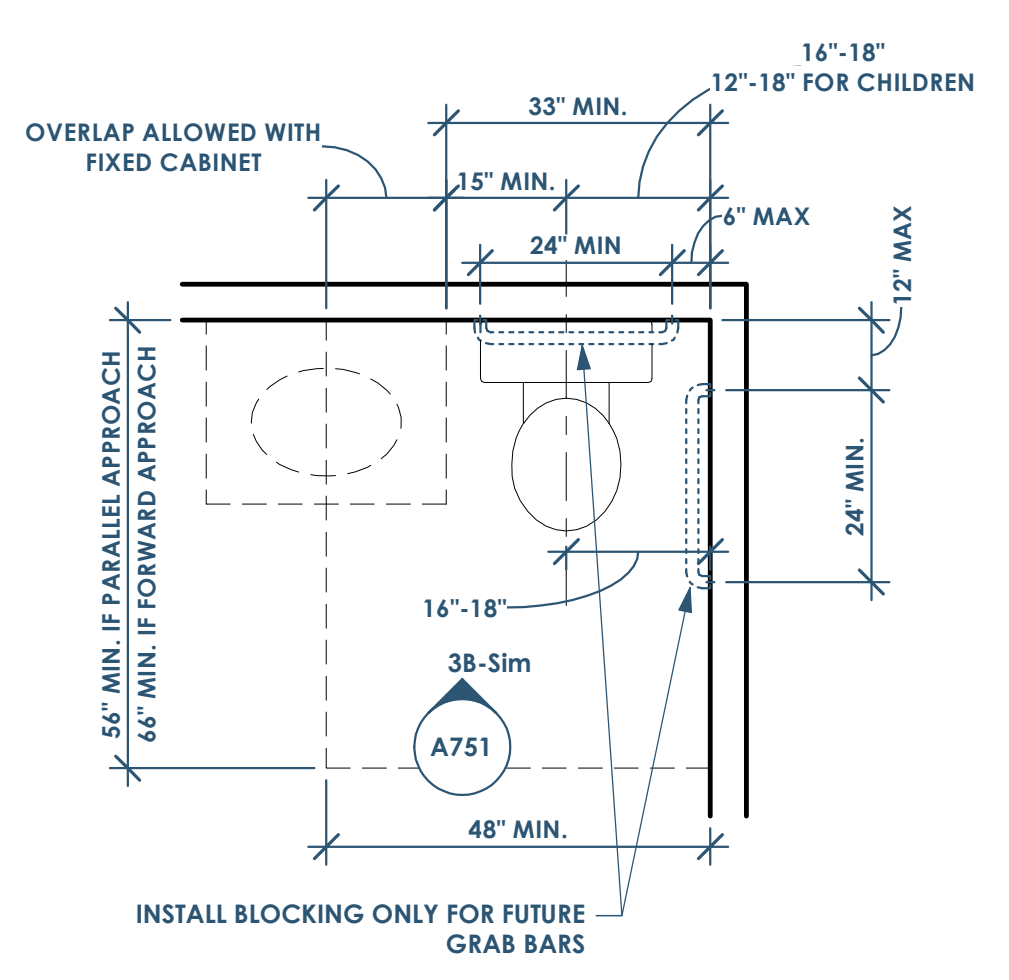
2C ADA - TYPE A & B - BATH - NON-CONTROL SIDE
1/2" = 1'-0"



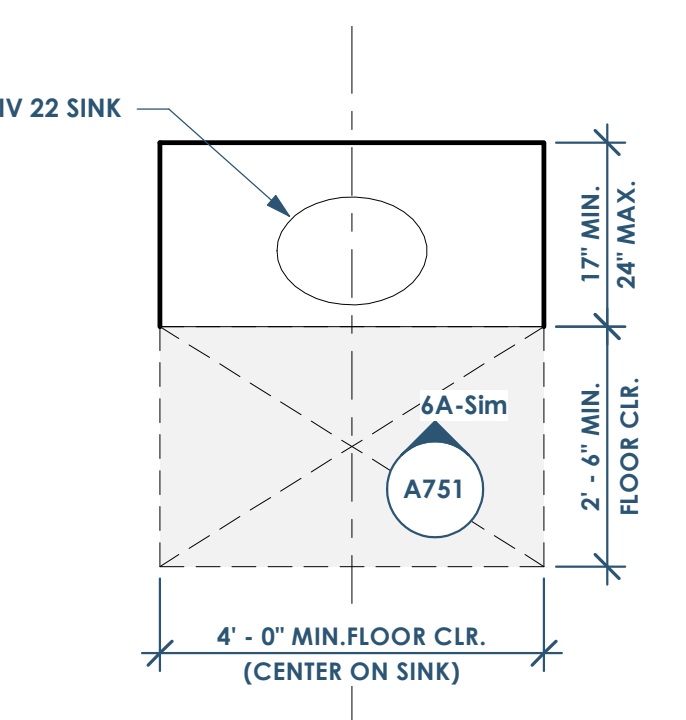
4C ADA - TYPE A & B - BATH - CONTROLS SIDE
1/2" = 1'-0"



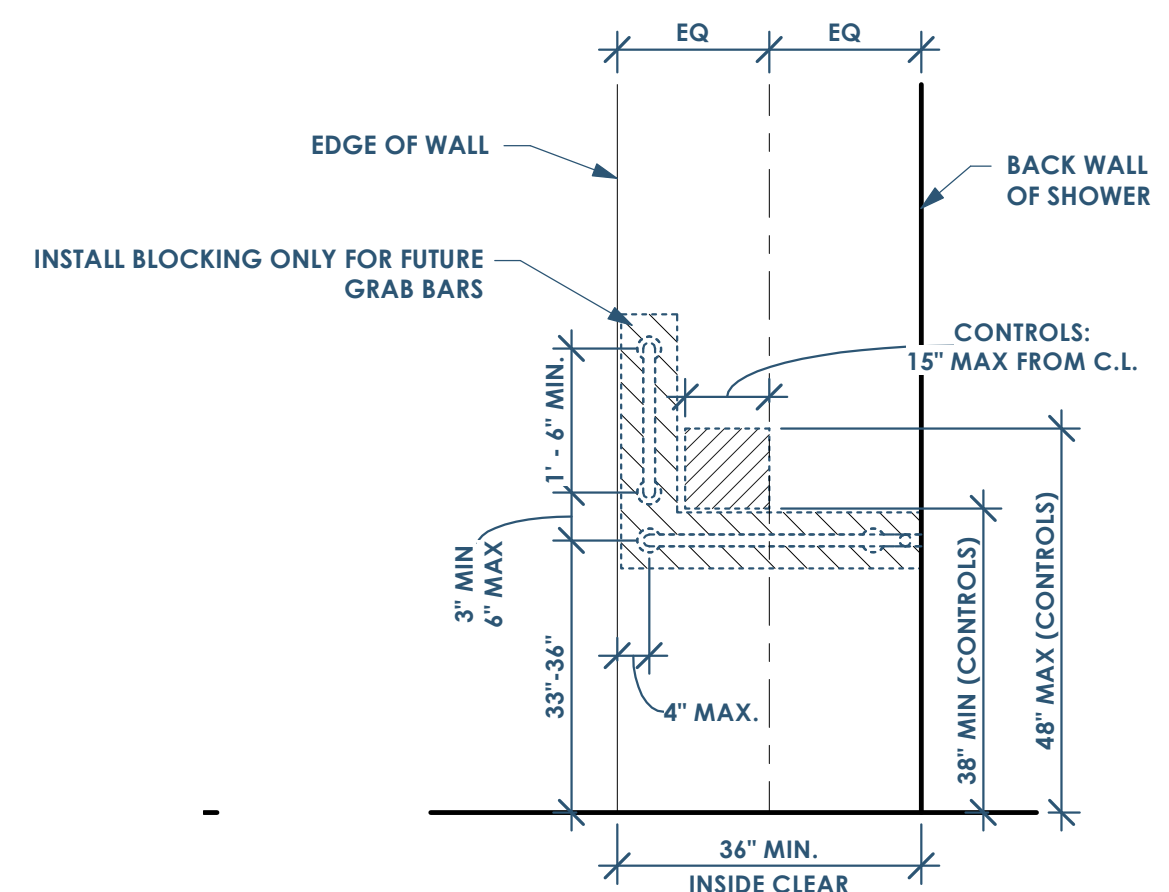
3B ADA - TYPE B - WATER CLOSET - FRONT
1/2" = 1'-0"



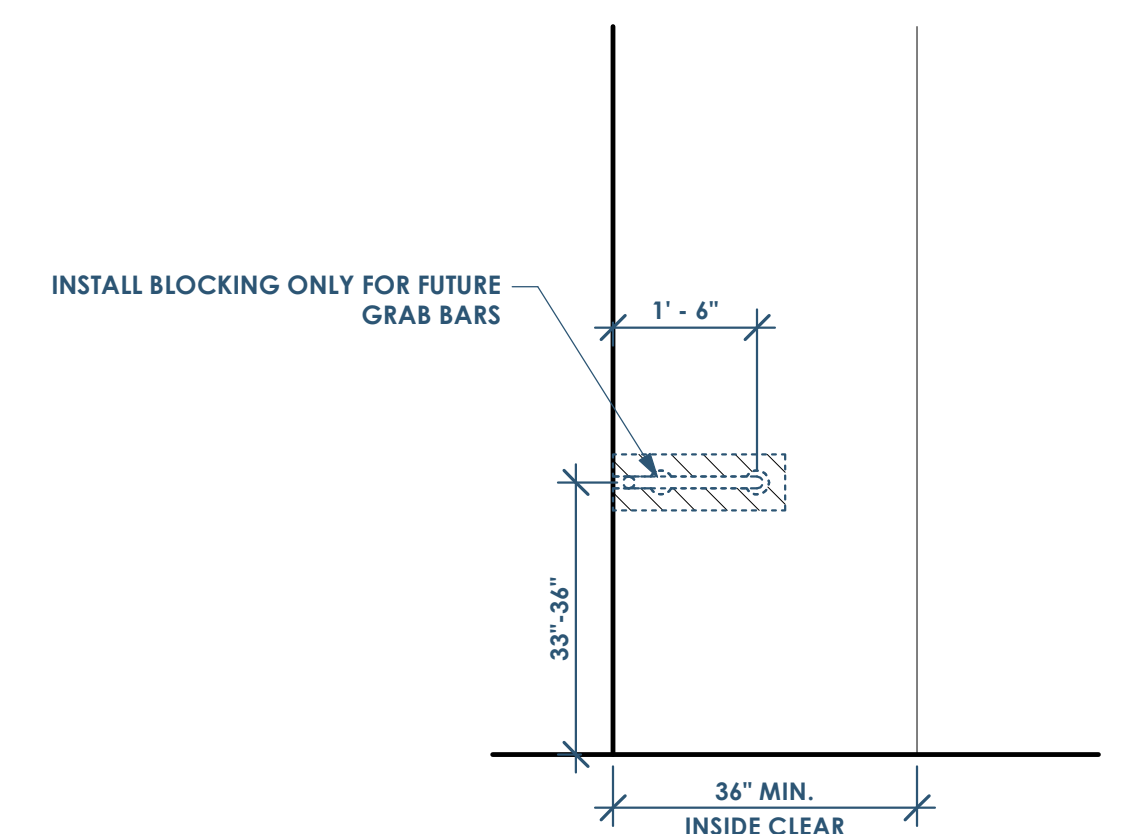
5B ADA - TYPE B - WATER CLOSET - FLOOR PLAN
1/2" = 1'-0"



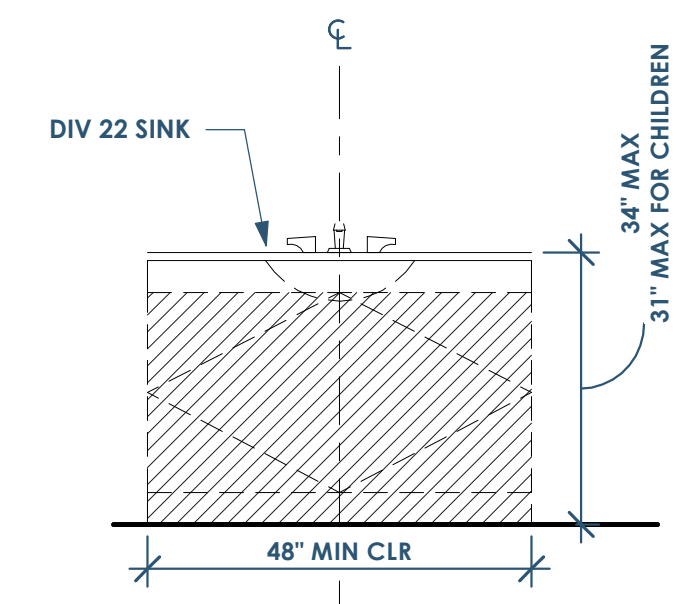
4B ADA - TYPE B - LAVATORY - PLAN
1/2" = 1'-0"



4A ADA - TYPE A & B - SHOWER - SIDE
1/2" = 1'-0"



3A ADA - TYPE A & B - SHOWER - BACK
1/2" = 1'-0"



6A ADA - TYPE B - LAVATORY - FRONT
1/2" = 1'-0"