

RENOVATION
Wranglers
Owner: Renovation Wranglers
102 E 26th St
Bryan, TX 77803
kate@renovationwranglers.com | 979.450.9969

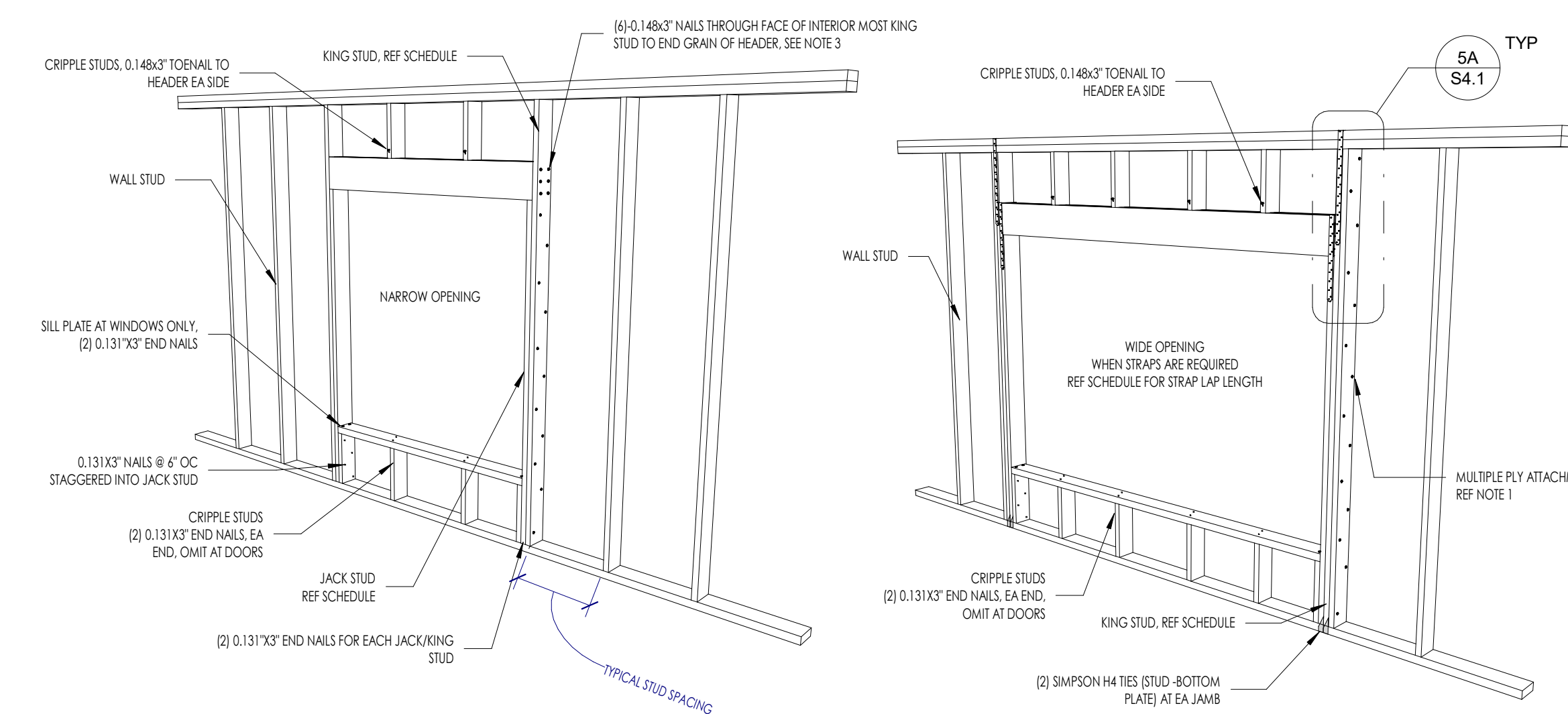
LKB
ARCHITECTURE
Architect of Record: LKB Architecture
2929 Allen Pkwy Suite 200
Houston, TX 77019
isa@lkbarchitecture.com | 713.425.3076

DUDLEY
Structural: Dudley
Firm # 18677
6102 Imperial Loop Drive
College Station, TX 77845
corieka@dudleyeng.com | (979) 777-0720

amc
ENGINEERS
MEP: AMC Engineers
Texas Firm #9441
508 E Jackson St # 552
Burrket, TX 78611
info@amcengineers.com | 512.535.6427



This project, like most OpeningDesign's projects, is open source (Attribution-ShareAlike 4.0 International-CC BY-SA 4.0) - freely available to any party for future use, assuming the terms such as Attribution and ShareAlike are honored.

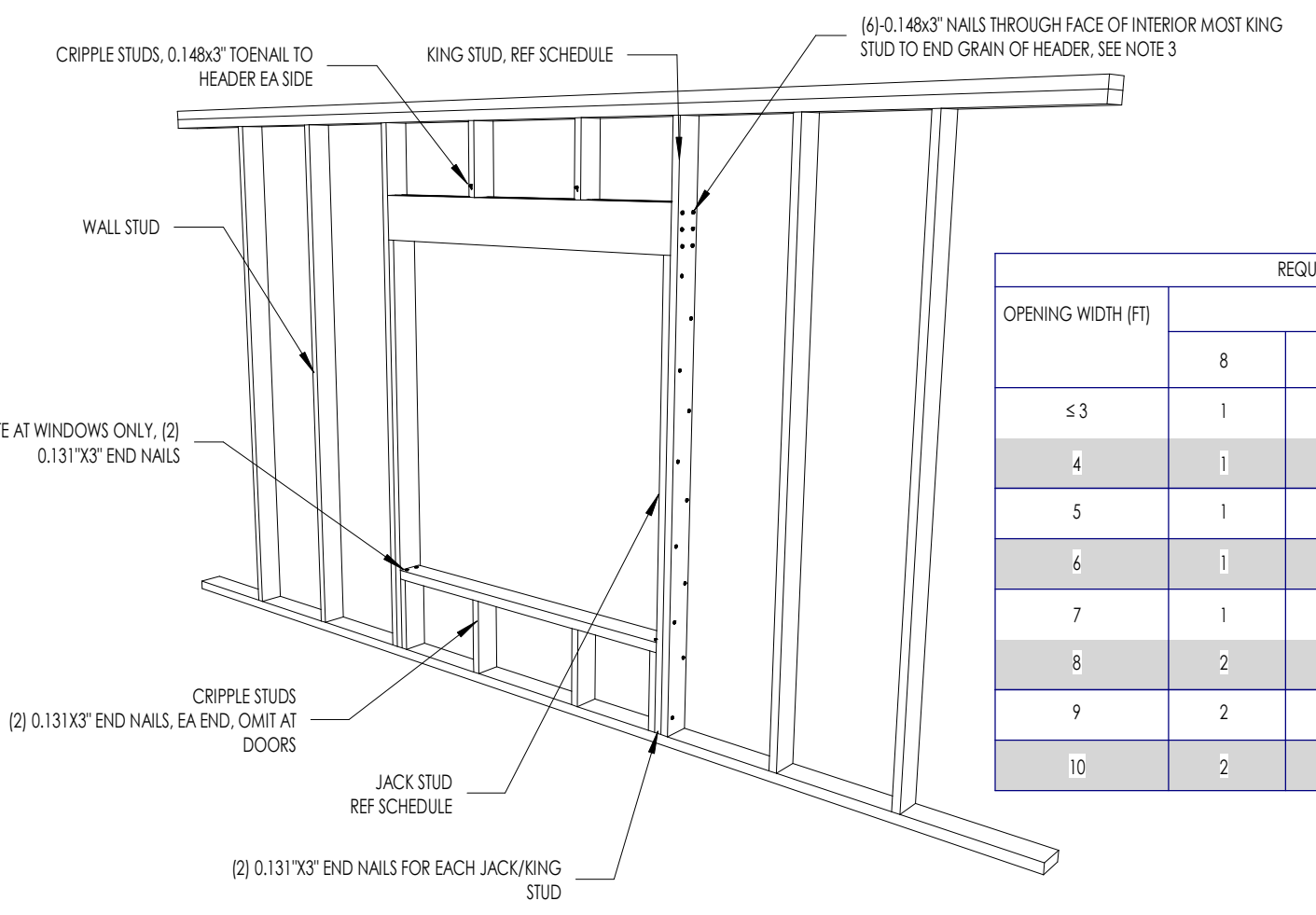


OPENING WIDTH (FT)	REQUIRED NO. OF KING STUDS				NO. JACK STUDS	STRAP LAP LENGTH (IN)
	PLATE HEIGHT (FT)					
	8	9	10	11	12	
≤3	1	1	1	2	2	1
4	1	1	2	2	2	1
5	2	2	2	3	3	1
6	2	2	3	3	3	1
7	2	2	3	3	4	1
8	3	3	3	4	4	2
9	3	3	4	4	4	2
10	3	3	4	4	4	2

OPENING WIDTH (FT)	REQUIRED NO. OF KING STUDS				NO. JACK STUDS	STRAP LAP LENGTH (IN)
	PLATE HEIGHT (FT)					
	8	9	10	11	12	
≤3	1	1	1	1	1	1
4	1	1	1	1	1	1
5	1	1	1	1	2	1
6	1	1	1	2	2	1
7	1	1	2	2	2	1
8	1	1	2	2	2	2
9	1	2	2	2	2	2
10	1	2	2	2	3	2

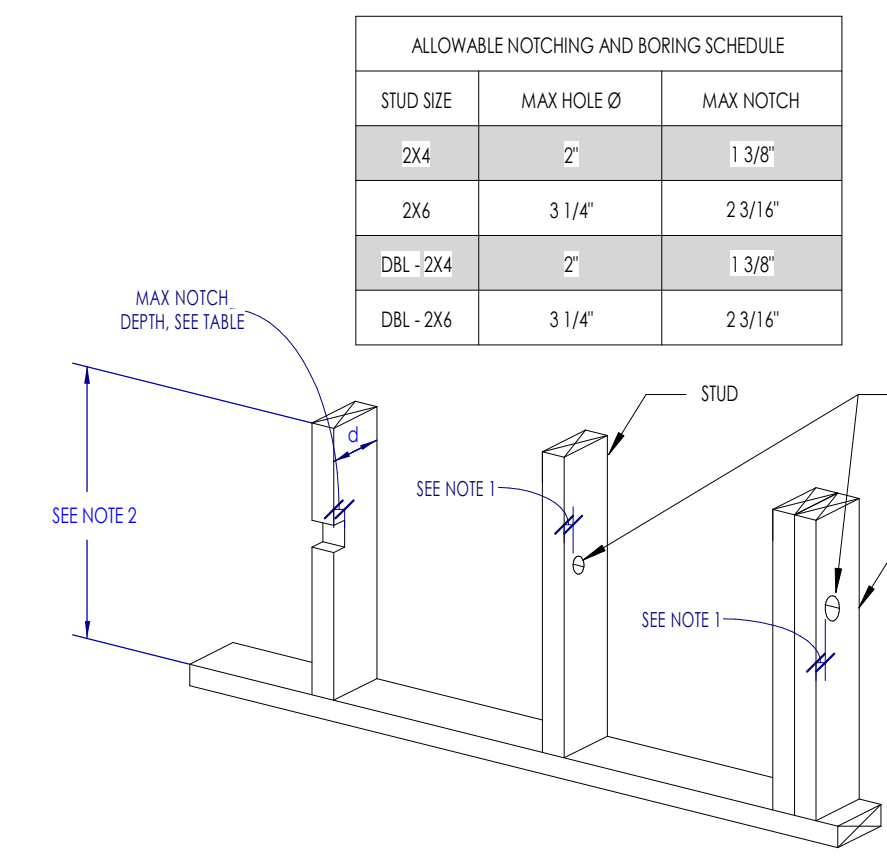
- NOTES:
 1. MULTIPLE PLYS MUST BE ATTACHED PER THE MECHANICALLY LAMINATED BUILT-UP COLUMN, NAILED DETAIL.
 2. TABLE IS BASED OFF A HORIZONTAL WIND PRESSURE OF 20 PSF AND GRAVITY LOADING OF 200 PLF.
 3. NAILS MUST BE CENTERED ON THE INDIVIDUAL PLYS OF THE HEADERS.
 4. N/R = NOT REQUIRED. IF N/R, THEN REFERENCE NARROW OPENING DIAGRAM FOR CONNECTION REQUIREMENTS, OTHERWISE REFERENCE THE WIDE OPENING DIAGRAM.

4C TYPICAL EXTERIOR OPENING FRAMING



LOAD BEARING WALL							NON-LOAD BEARING WALL								
OPENING WIDTH (FT)	REQUIRED NO. OF KING STUDS				NO. JACK STUDS	HEADER SIZE	OPENING WIDTH (FT)	REQUIRED NO. OF KING STUDS				NO. JACK STUDS	2x4 STUD WALL	2x6 STUD WALL	
	PLATE HEIGHT (FT)							PLATE HEIGHT (FT)							
	8	9	10	11	12		8	9	10	11	12				
≤3	1	1	1	1	1	1	≤3	1	1	1	1	1	1	22H	32H
4	1	1	1	1	1	1	4	1	1	1	1	1	1	22H	32H
5	1	1	1	2	2	1	5	1	1	1	2	2	1	22H	32H
6	1	1	2	2	2	1	6	1	1	2	2	2	1	22H	32H
7	1	1	2	2	3	1	7	1	1	2	2	3	1	22H	32H
8	2	2	2	3	3	2	8	2	2	2	3	3	1	221H	321H
9	2	2	3	3	3	2	9	2	2	3	3	3	1	221H	321H
10	2	2	3	3	3	2	10	2	2	3	3	3	1	221H	321H

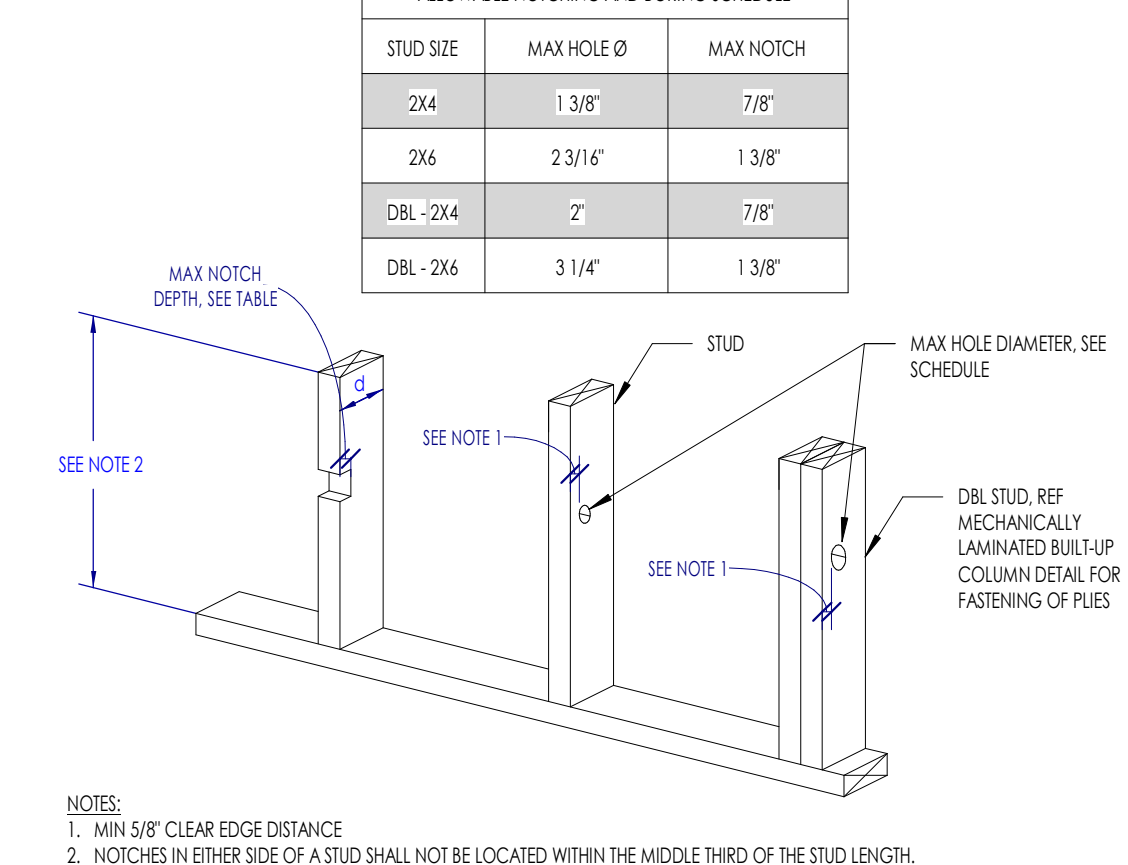
- NOTES:
 1. LOAD BEARING WALLS AND ASSOCIATED HEADERS ARE INDICATED ON PLAN.



STUD SIZE	MAX HOLE Ø	MAX NOTCH
2x4	2"	1.318"
2x6	3.14"	2.316"
DBL 2x4	2"	1.318"
DBL 2x6	3.14"	2.316"

- NOTES:
 1. MIN 5/8" CLEAR EDGE DISTANCE.
 2. NOTCHES IN EITHER SIDE OF A STUD SHALL NOT BE LOCATED WITHIN THE MIDDLE THIRD OF THE STUD LENGTH.
 3. NOTCHES AND BORINGS SHALL NOT OCCUR IN THE SAME CROSS SECTION.

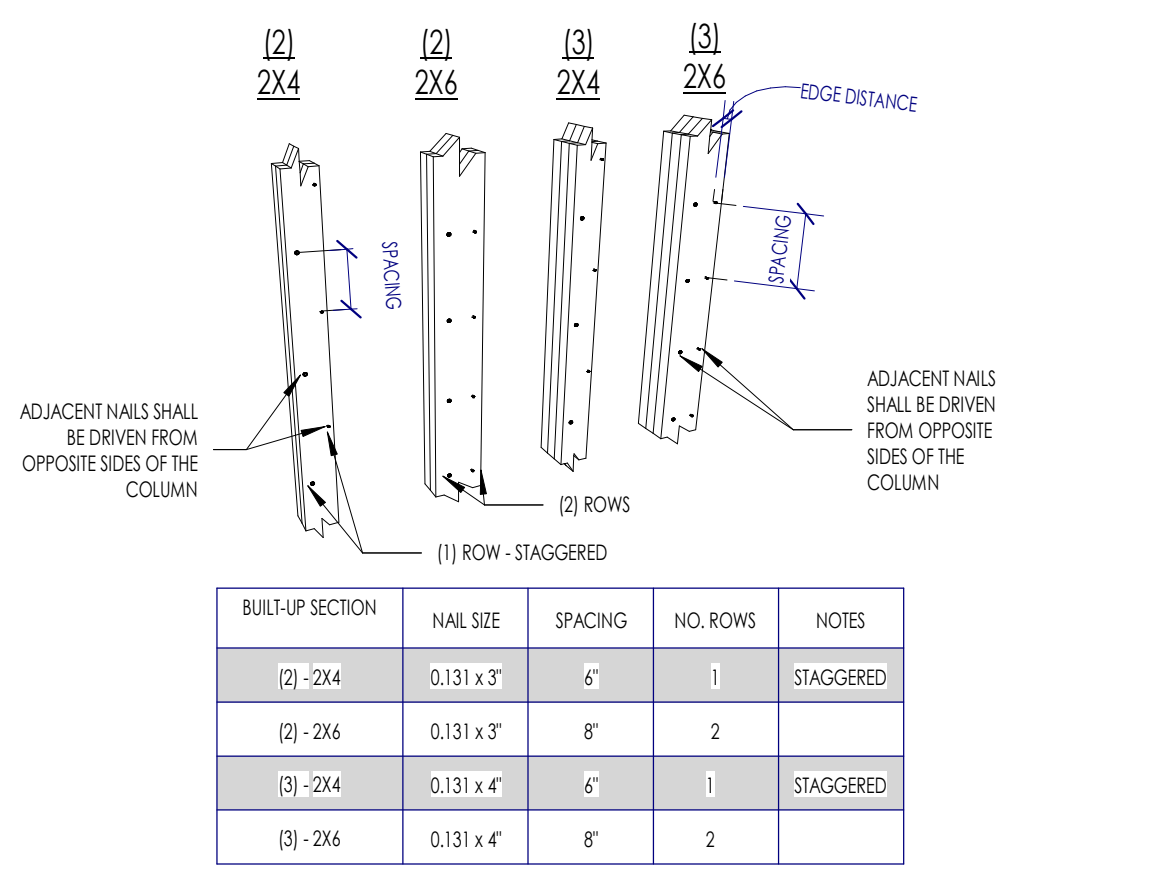
2B ALLOWABLE STUD NOTCHING AND BORING IN INTERIOR NON-LOAD BEARING WALLS



STUD SIZE	MAX HOLE Ø	MAX NOTCH
2x4	1.318"	1.318"
2x6	2.316"	1.318"
DBL 2x4	2"	1.318"
DBL 2x6	3.14"	1.318"

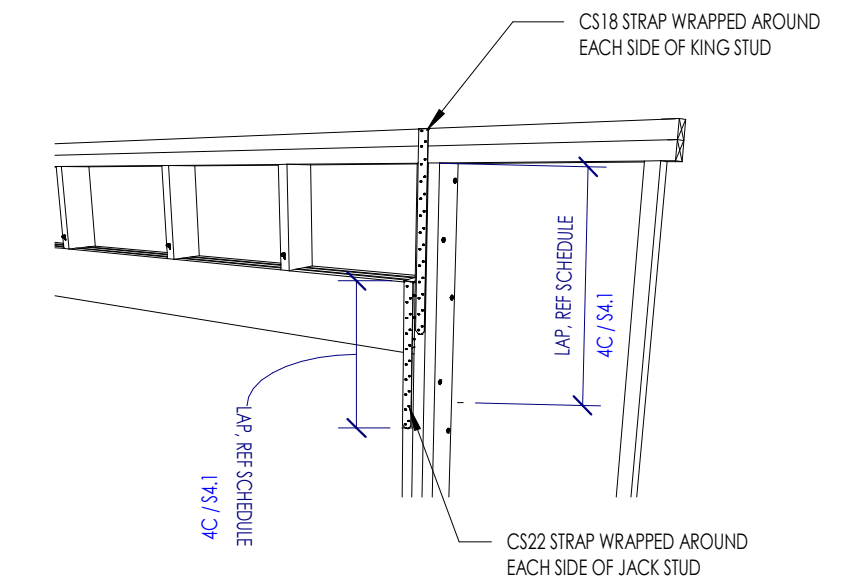
- NOTES:
 1. MIN 5/8" CLEAR EDGE DISTANCE.
 2. NOTCHES IN EITHER SIDE OF A STUD SHALL NOT BE LOCATED WITHIN THE MIDDLE THIRD OF THE STUD LENGTH.
 3. NOTCHES AND BORINGS SHALL NOT OCCUR IN THE SAME CROSS SECTION.

1B ALLOWABLE STUD NOTCHING AND BORING IN EXTERIOR & LOAD BEARING WALLS

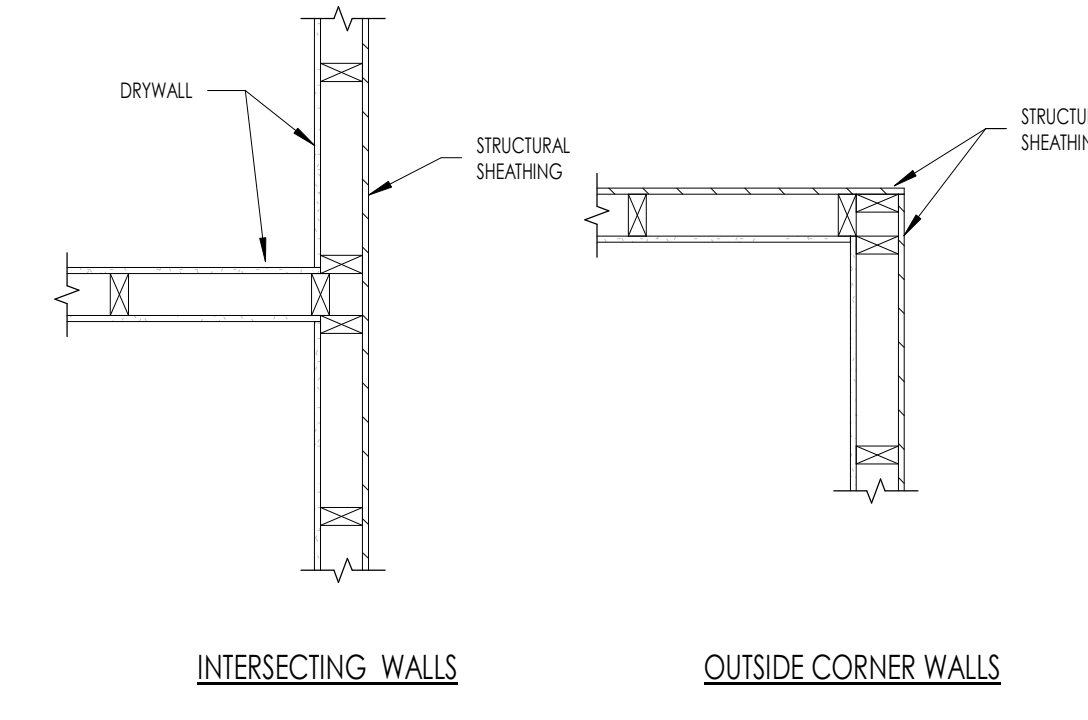


BUILT-UP SECTION	NAIL SIZE	SPACING	NO. ROWS	NOTES
(2) 2x4	0.131 x 2"	6"	1	STAGGERED
(2) 2x6	0.131 x 3"	8"	2	
(3) 2x4	0.131 x 4"	6"	1	STAGGERED
(3) 2x6	0.131 x 4"	8"	2	

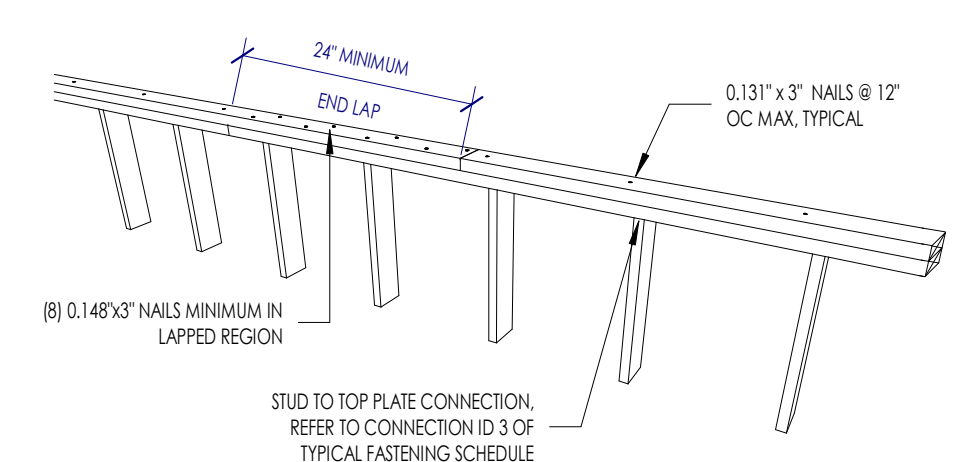
6A MECHANICALLY LAMINATED BUILT-UP COLUMN (STUD PACK) - NAILED



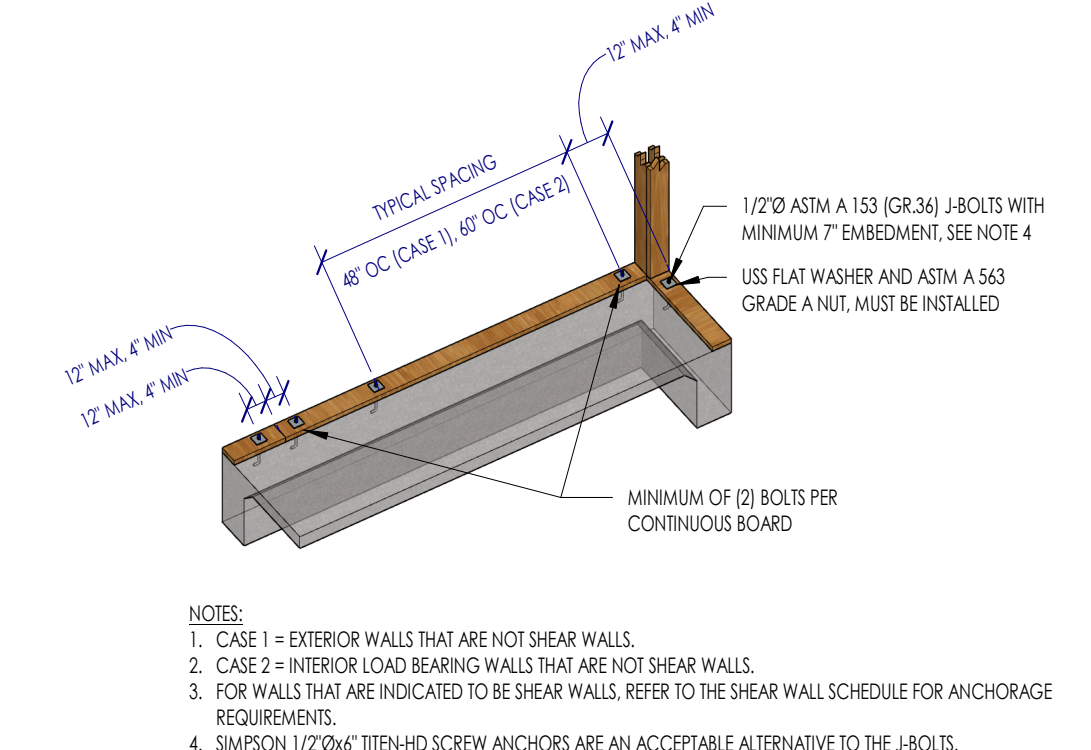
5A TYPICAL STRAP AT WIDE EXTERIOR OPENINGS



4A TYPICAL CORNER AND INTERSECTION WALL STUDS (NOT AT SHEAR WALL)



3A TYPICAL LOAD BEARING / SHEAR WALL DOUBLE TOP PLATE SPLICE



- NOTES:
 1. CASE 1 = EXTERIOR WALLS THAT ARE NOT SHEAR WALLS.
 2. CASE 2 = INTERIOR LOAD BEARING WALLS THAT ARE NOT SHEAR WALLS.
 3. FOR WALLS THAT ARE INDICATED TO BE SHEAR WALLS, REFER TO THE SHEAR WALL SCHEDULE FOR ANCHORAGE REQUIREMENTS.
 4. SIMPSON 1/2"Øx6" THICK HD SCREW ANCHORS ARE AN ACCEPTABLE ALTERNATIVE TO THE J-BOLTS.

2A TYPICAL BOTTOM PLATE ANCHORAGE

openingdesign
 Architect: OpeningDesign
 17 S Fairchild | FL 7
 Madison, WI 53703
 ryan@openingdesign.com | 773.425.6456

Date	Description
08/22/2022	Review before Permit
08/26/2022	PERMIT REVISIONS