



# XHEZ.W-L-8081 - Through-penetration Firestop Systems

## Design/System/Construction/Assembly Usage Disclaimer

- Authorities Having Jurisdiction should be consulted in all cases as to the particular requirements covering the installation and use of UL Certified products, equipment, system, devices, and materials.
- Authorities Having Jurisdiction should be consulted before construction.
- Fire resistance assemblies and products are developed by the design submitter and have been investigated by UL for compliance with applicable requirements. The published information cannot always address every construction nuance encountered in the field.
- When field issues arise, it is recommended the first contact for assistance be the technical service staff provided by the product manufacturer noted for the design. Users of fire resistance assemblies are advised to consult the general Guide Information for each product category and each group of assemblies. The Guide Information includes specifics concerning alternate materials and alternate methods of construction.
- Only products which bear UL's Mark are considered Certified.

## XHEZ - Through-penetration Firestop Systems

## XHEZ7 - Through-penetration Firestop Systems Certified for Canada

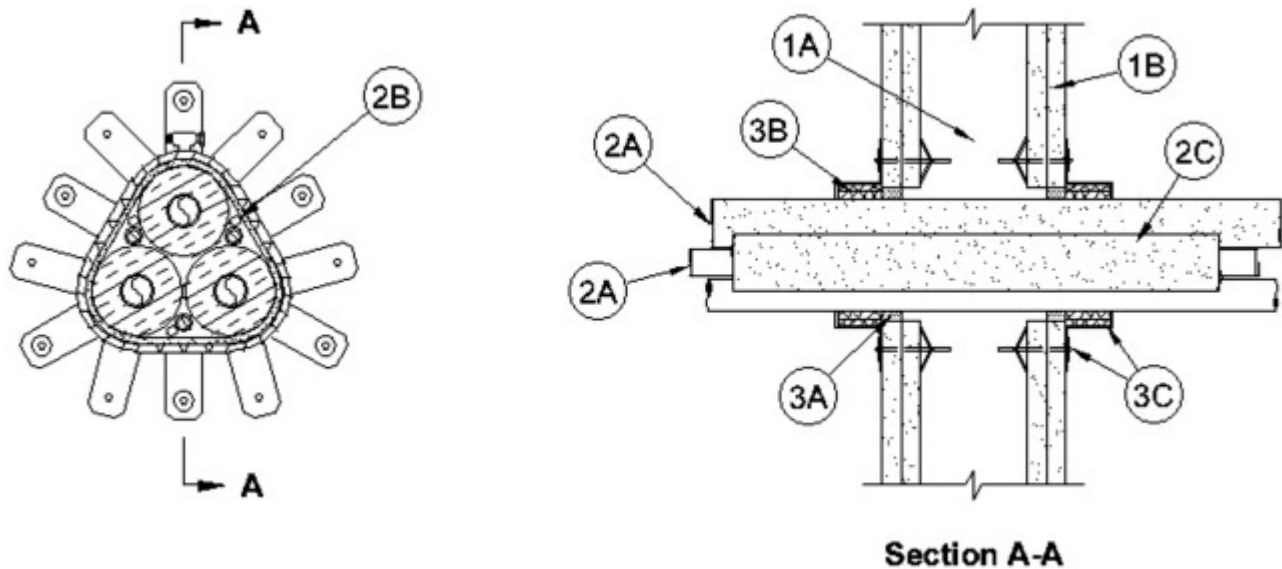
[See General Information for Through-penetration Firestop Systems](#)

[See General Information for Through-penetration Firestop Systems Certified for Canada](#)

### System No. W-L-8081

January 28, 2015

ANSI/UL1479 (ASTM E814)	CAN/ULC S115
F Rating — 1 and 2 Hr (See Item 1)	F Rating — 1 and 2 Hr (See Item 1)
T Rating —0 and 1 Hr (See Item 1)	FT Rating —0 and 1 Hr (See Item 1)
	FH Rating — 1 and 2 Hr (See Item 1)
	FTH Rating — 0 and 1 Hr (See Item 1)



**1. Wall Assembly** — The 1 or 2 hr fire-rated gypsum board/stud wall assembly shall be constructed of the materials and in the manner specified in the individual U300 or U400 Series Wall or Partition Design in the UL Fire Resistance Directory and shall include the following construction features:

A. **Studs** — Wall framing may consist of either wood studs or steel channel studs. Wood studs to consist of nom 2 by 4 in. (51 by 102 mm) lumber spaced 16 in. (406 mm) OC. Steel studs to be min 3-1/2 in. (89 mm) wide and spaced max 24 in. (610 mm) OC.

B. **Gypsum Board\*** — Thickness, type, number of layers and fasteners as specified in the individual Wall and Partition Design. Max diam of opening is 6 in. (152 mm).

**The hourly F, FH Ratings of the firestop system are equal to the hourly fire rating of the wall assembly in which it is installed. The hourly T, FT, FTH Ratings of the firestop system are 0 hr for 1 hr fire rated wall assemblies and 1 hr for 2 hr fire rated wall assemblies.**

**2. Air Conditioning (AC) Line Set** — Max of three AC line sets bundled within the opening. Each line set consists of one metallic pipe, one insulated metallic pipe and one electrical cable. The aggregate cross-sectional area of the penetrants does not exceed 84 percent of the cross-sectional area of the wall opening. The annular space between the penetrants and the periphery of opening shall be min 0 in. (point contact) to max 1-1/2 in. (38 mm). Penetrants to be rigidly supported on both sides of wall assembly.

2A. **Metallic Pipes** — The following types and sizes of metallic pipes, conduits or tubing may be used:

A. **Steel Pipe** — Nom 1 in. (25 mm) diam (or smaller) Schedule 5 (or heavier) steel pipe.

B. **Iron Pipe** — Nom 1 in. (25 mm) diam (or smaller) cast or ductile iron pipe.

C. **Conduit** — Nom 1/2 in (13 mm) diam (or smaller) steel conduit or EMT.

D. **Copper Pipe or Tube** — Nom 1 in. (25 mm) diam (or smaller) Type L (or heavier) copper tube or Regular (or heavier) copper pipe.

2B. **Cables** — Max 4 pair No. 18 AWG (or smaller) thermostat cable with PVC insulation and jacket.

2C. **Pipe Covering** — The following pipe covering shall be used with the metallic pipes (Types 2A, 2B and 2D only) having a nom diam greater than 1/2 in. (13 mm):

A. **Tube Insulation - Plastics#** — Nom 1 in. (25 mm) thick acrylonitrile butadiene/polyvinyl chloride (AB/PVC) flexible foam furnished in the form of tubing.

See **Plastics** (QMFZ2) category in the Plastics Recognized Component Directory for names of manufacturers. Any Recognized Component tube insulation meeting the above specifications and having a UL 94 Flammability Classification of 94-5VA may be used.

3. **Firestop System** — The details of the firestop system shall be as follows:

A. **Fill, Void or Cavity Material\* - Sealant** — Min 5/8 in. (16 mm) thickness of fill material applied within annulus, flush with both surfaces of wall assembly. Fill material forced into grouped penetrant interstices to max extent possible within opening.

**HILTI CONSTRUCTION CHEMICALS, DIV OF HILTI INC** — FS-ONE Sealant or FS-ONE MAX Intumescent Sealant

B. **Fill, Void or Cavity Material\*** — Wrap Strip - Nom 3/16 in. (5 mm) thick by 1-3/4 in. (44 mm) wide intumescent wrap strip. Wrap strip is continuously wrapped around the outer circumference of bundled penetrants two times with ends butted and held in place with tape. Wrap strip installed flush with both surfaces of wall assembly.

**HILTI CONSTRUCTION CHEMICALS, DIV OF HILTI INC** — CP648-E- W25/1-3/4" Wrap Strip

C. **Steel Collar** — Steel collar fabricated from coils of precut min 0.016 in. (0.41 mm) thick (No. 28 gauge) galv steel available from fill material manufacturer. Collar shall be min 1-3/4 in. (44 mm) deep with 1 in. (25 mm) wide by 2 in. (51 mm) long anchor tabs on 1-3/4 in. (44 mm) centers for securement to both surfaces of wall. In addition, collars contain preformed retainer tabs 1/2 in. (13 mm) wide by 3/16 in. (5 mm) long, located opposite the anchor tabs. Collar shall be tightly wrapped over the wrap strip, overlapping min 1 in. (25 mm) at seam and compressed with a min 1/2 in. (13 mm) wide by 0.028 in. (0.71 mm) thick stainless steel band at collar mid-height. Every other anchor tab of collar secured to surface of wall with min 1-1/2 in. (38 mm) long drywall or laminate screws with min 3/4 in. (19 mm) steel washers.

**\* Indicates such products shall bear the UL or cUL Certification Mark for jurisdictions employing the UL or cUL Certification (such as Canada), respectively.**

# Bearing the UL Recognized Component Marking

Last Updated on 2015-01-28

---

The appearance of a company's name or product in this database does not in itself assure that products so identified have been manufactured under UL's Follow-Up Service. Only those products bearing the UL Mark should be considered to be Certified and covered under UL's Follow-Up Service. Always look for the Mark on the product.

UL permits the reproduction of the material contained in the Online Certification Directory subject to the following conditions: 1. The Guide Information, Assemblies, Constructions, Designs, Systems, and/or Certifications (files) must be presented in their entirety and in a non-misleading manner, without any manipulation of the data (or drawings). 2. The statement "Reprinted from the Online Certifications Directory with permission from UL" must appear adjacent to the extracted material. In addition, the reprinted material must include a copyright notice in the following format: "© 2022 UL LLC"