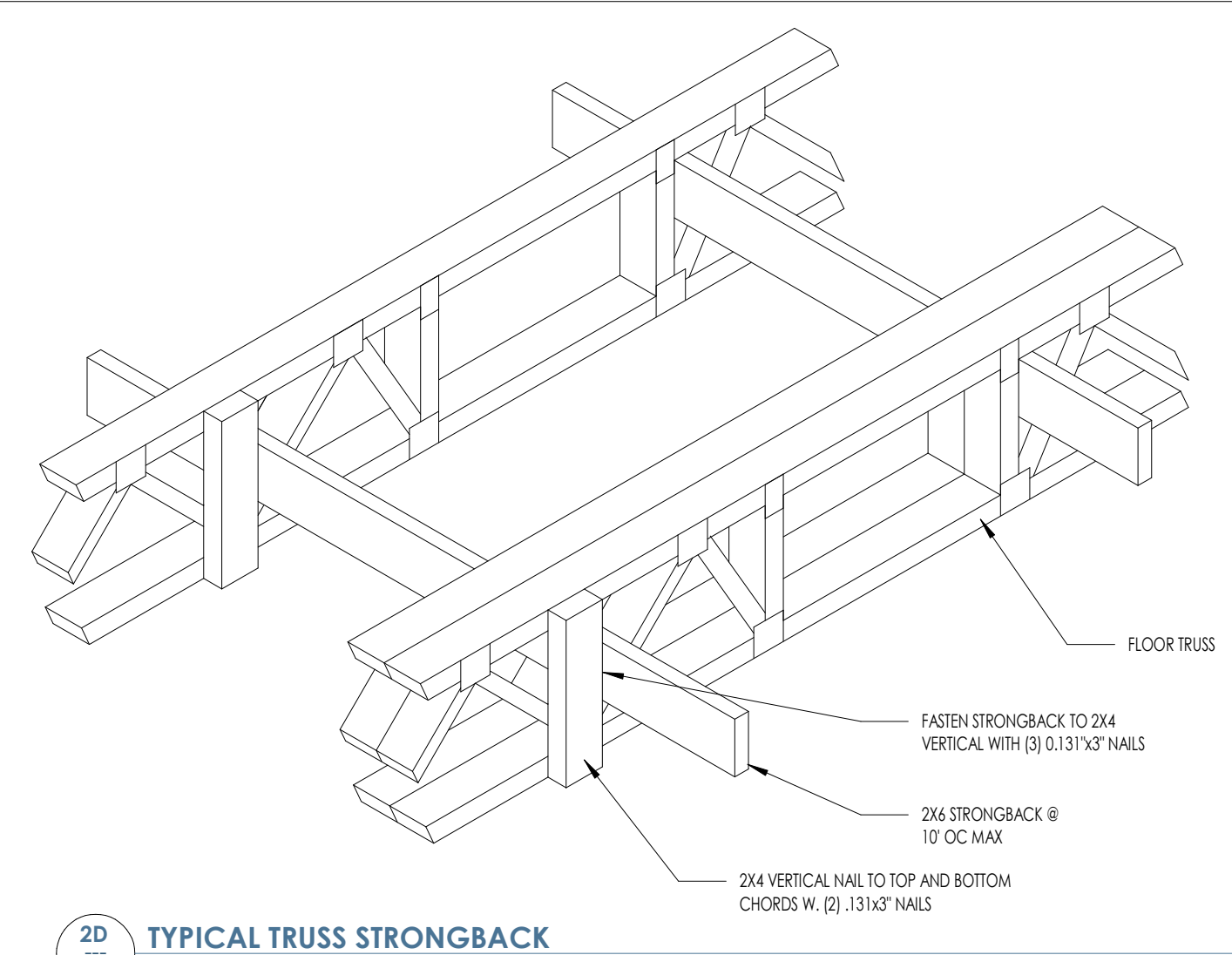
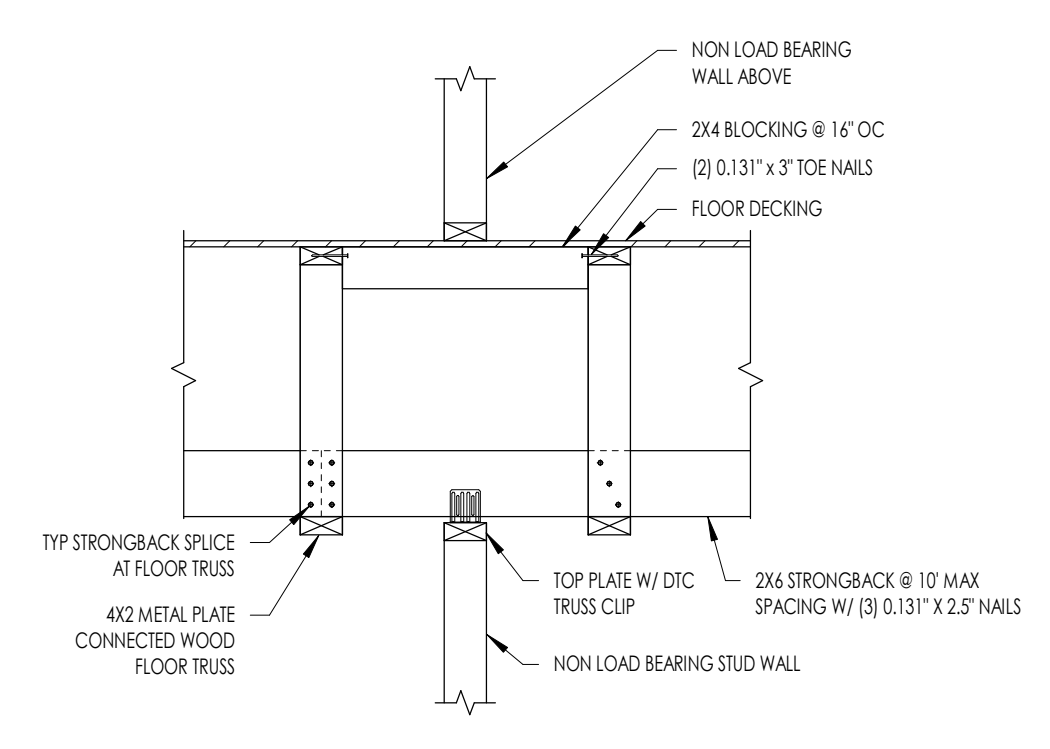


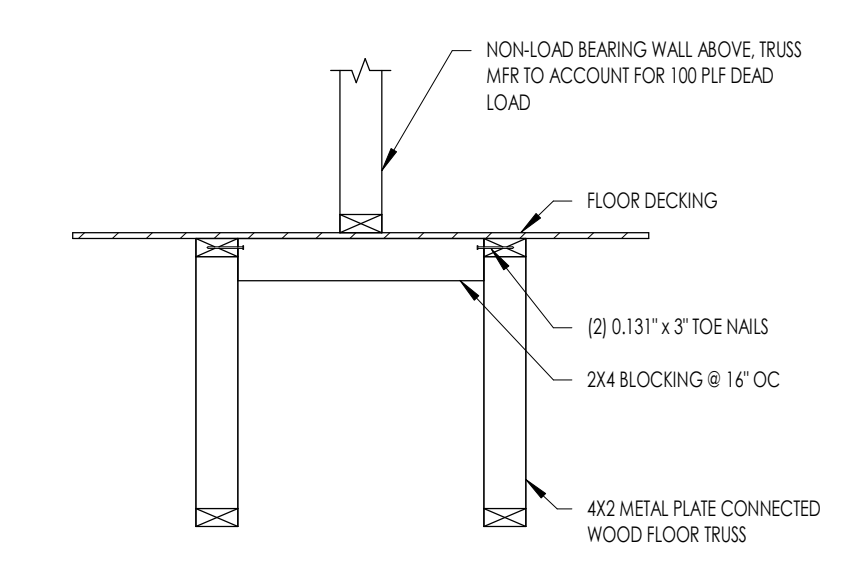
4D S4.2 TYPICAL FLOOR TRUSS PARALLEL TO EXTERIOR WALL - MULTI-STORY



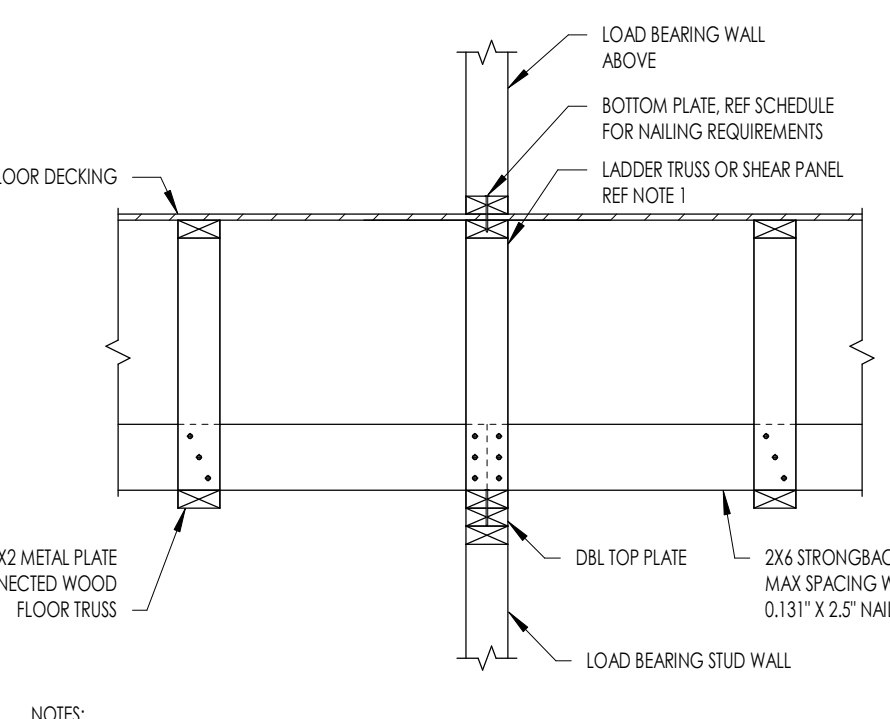
2D S4.2 TYPICAL TRUSS STRONGBACK



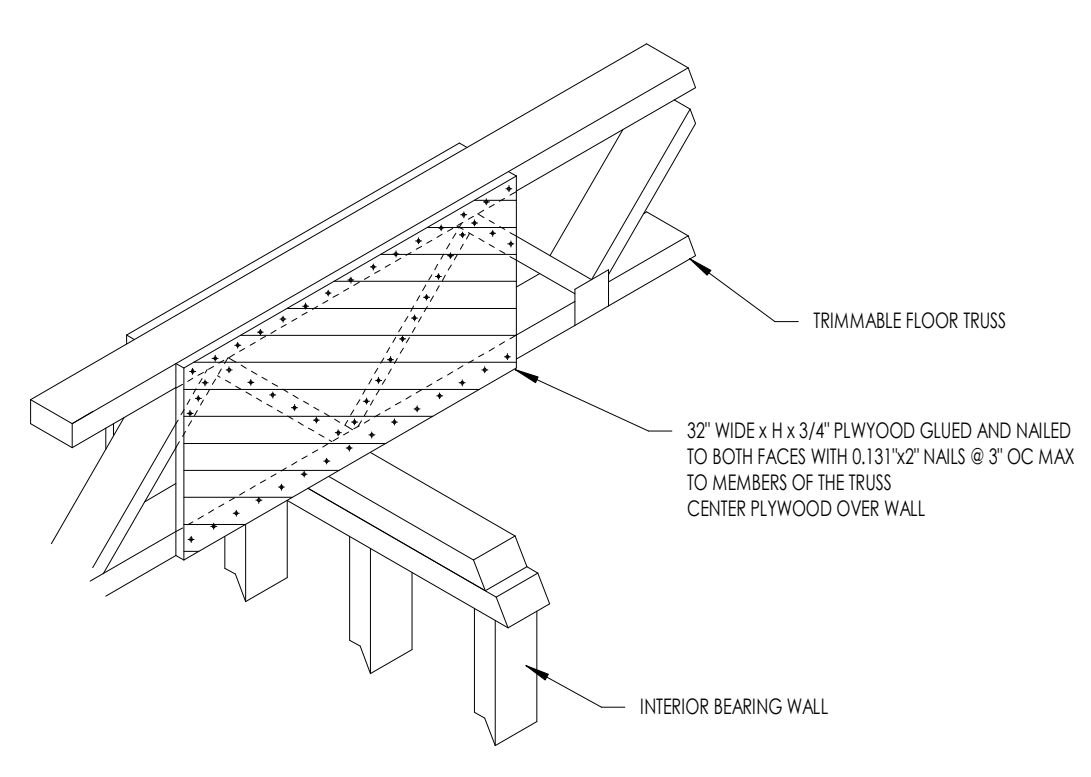
5C S4.2 TYPICAL NON-LOAD BEARING WALL PARALLEL TO FLOOR TRUSSES



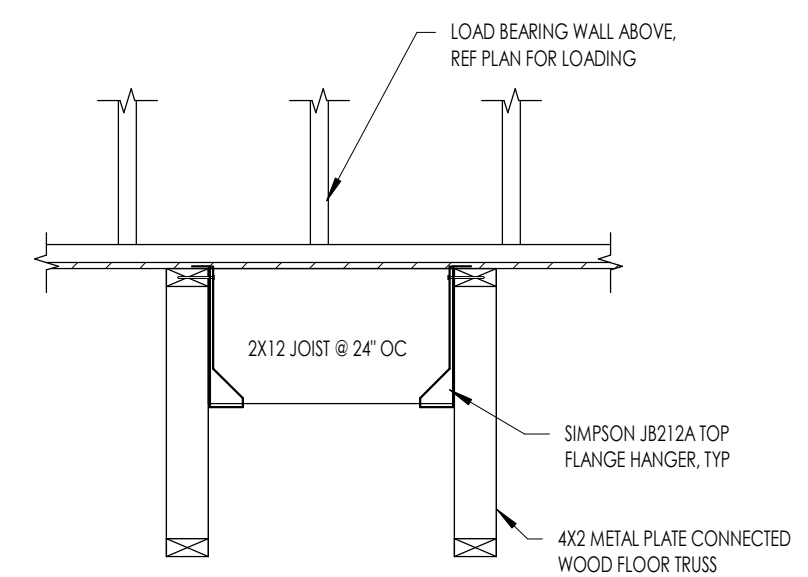
2C S4.2 TYPICAL NON-LOAD BEARING WALL PARALLEL TO FLOOR TRUSS



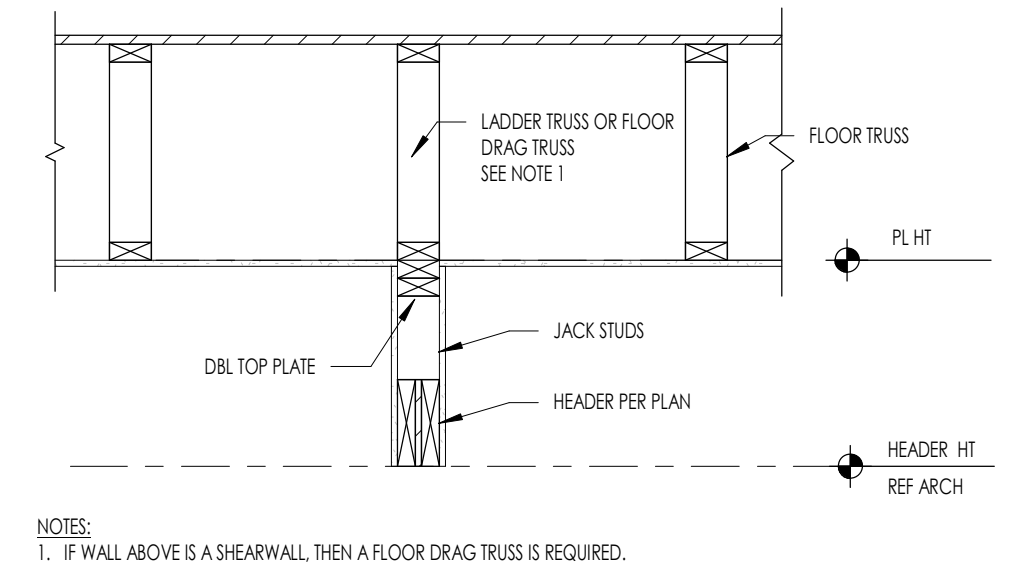
1C S4.2 TYPICAL LOAD BEARING WALL PARALLEL TO FLOOR TRUSSES



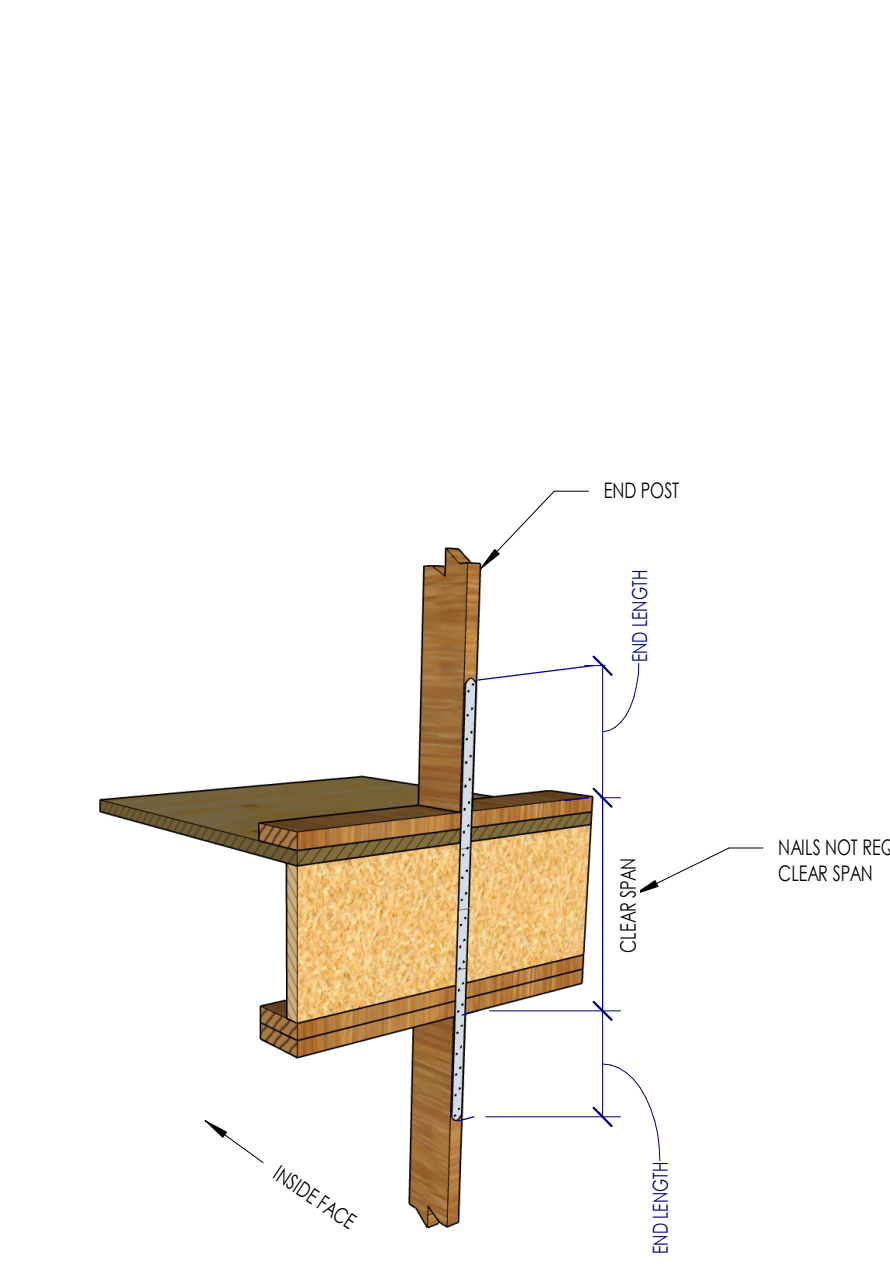
1B S4.2 TYPICAL TRIMMABLE TRUSS STIFFENING AT INTERIOR SUPPORT



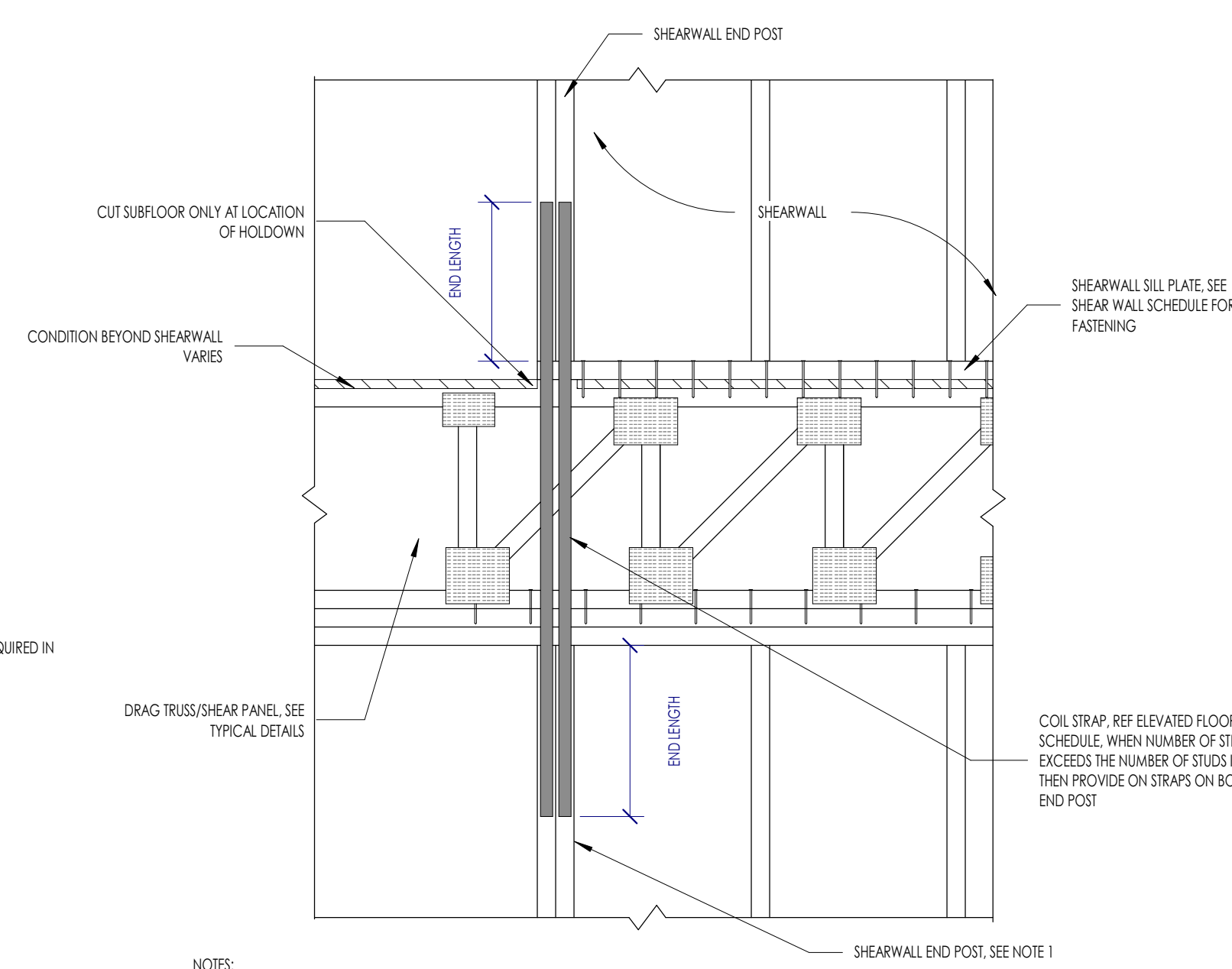
3B S4.2 TYPICAL LOAD BEARING WALL PERP. TO FLOOR TRUSS



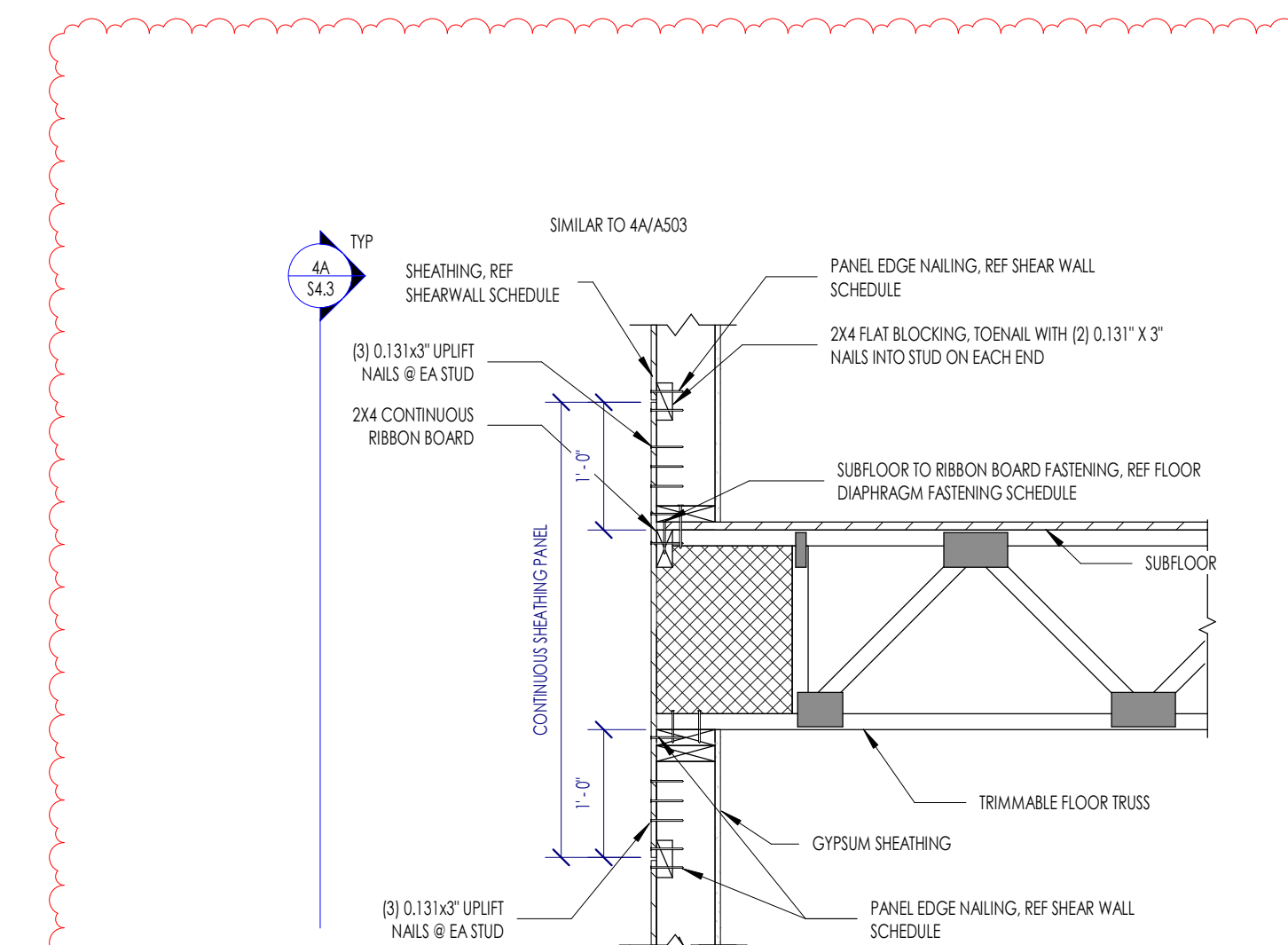
2B S4.2 TYPICAL LOAD BEARING HEADER PARALLEL TO FLOOR TRUSSES



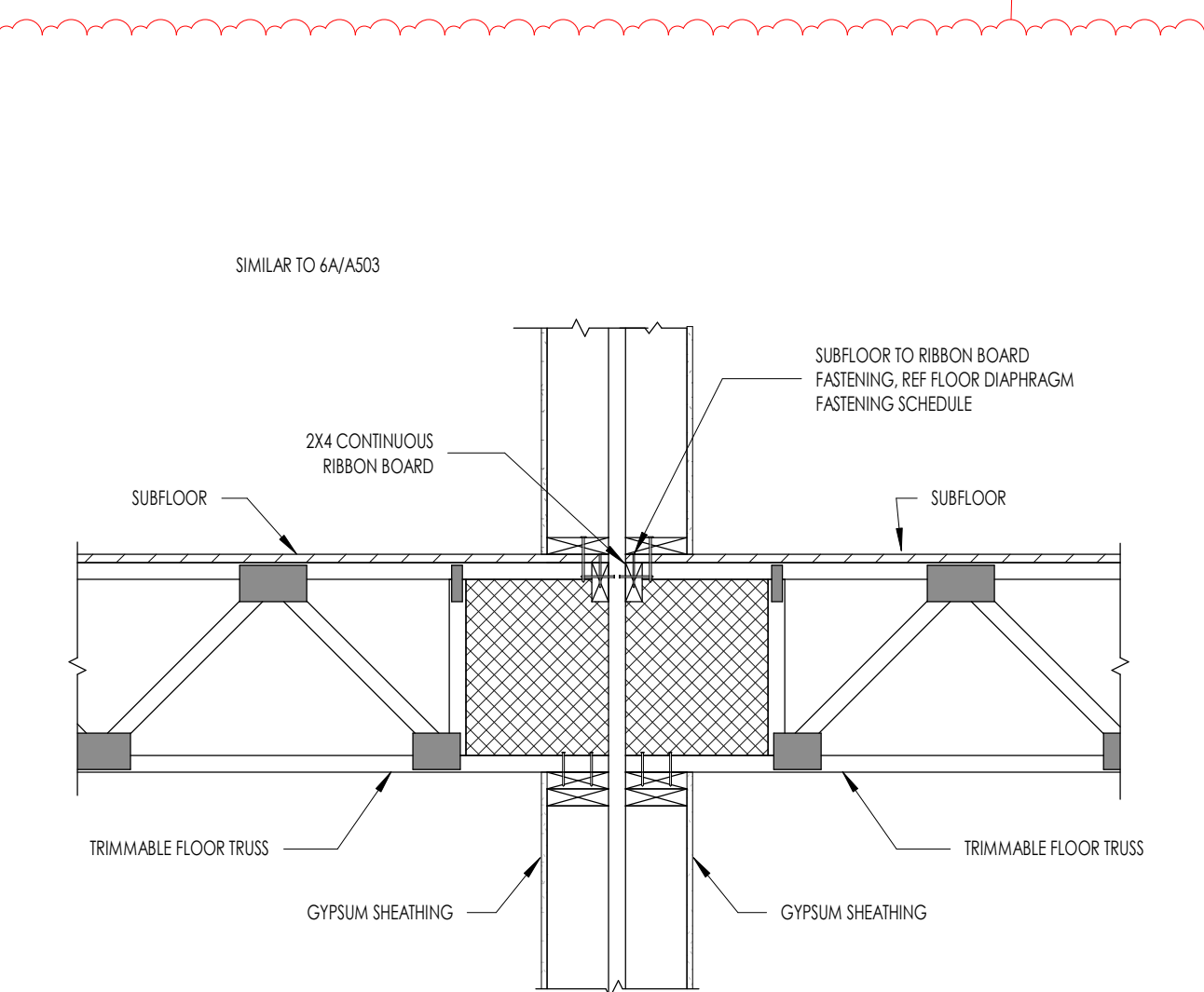
6A S4.2 TYPICAL SHEARWALL HOLDDOWN AT ELEVATED FLOOR



HOLDOWN AT INTERIOR SHEAR WALL



3A S4.2 061760 FLOOR - TRIMMABLE TRUSS BOTTOM CHORD BEARING ON EXTERIOR WALL



2A S4.2 TYPICAL INTERIOR BOTTOM CHORD BEARING AT PARTY WALL

Renovation Wranglers
Owner: Renovation Wranglers
102 E 26th St
Bryan, TX 77803
kate@renovationwranglers.com | 979.450.9969

ARCHITECTURE
Architect of Record: LKB Architecture
2929 Allen Pkwy Suite 200
Houston, TX 77019
isa@lkbarchitecture.com | 713.425.3076

DUDDLEY
Structural: Dudley
Firm # 18677
6102 Imperial Loop Drive
College Station, TX 77845
corieka@dudleyeng.com | (979) 777-0720

amc
ENGINEERS
MEP: AMC Engineers
Texas Firm #9441
508 E Jackson St # 552
Burrket, TX 78611
info@amcengineers.com | 512.535.6427

STATE OF TEXAS
OKEOGHENE ORIEKA
137444
PROFESSIONAL ENGINEER
8/26/2022

This project, like most OpeningDesign's projects, is open source (Attribution-ShareAlike 4.0 International-CC BY-SA 4.0)—freely available to any party for future use, assuming the terms such as Attribution and ShareAlike are honored.

openingdesign
Architect: OpeningDesign
17 S Fairchild | FL 7
Madison, WI 53703
ryan@openingdesign.com | 773.425.6456

Date	Description
04/02/2022	Review before Permit
08/26/2022	PERMIT REVISIONS