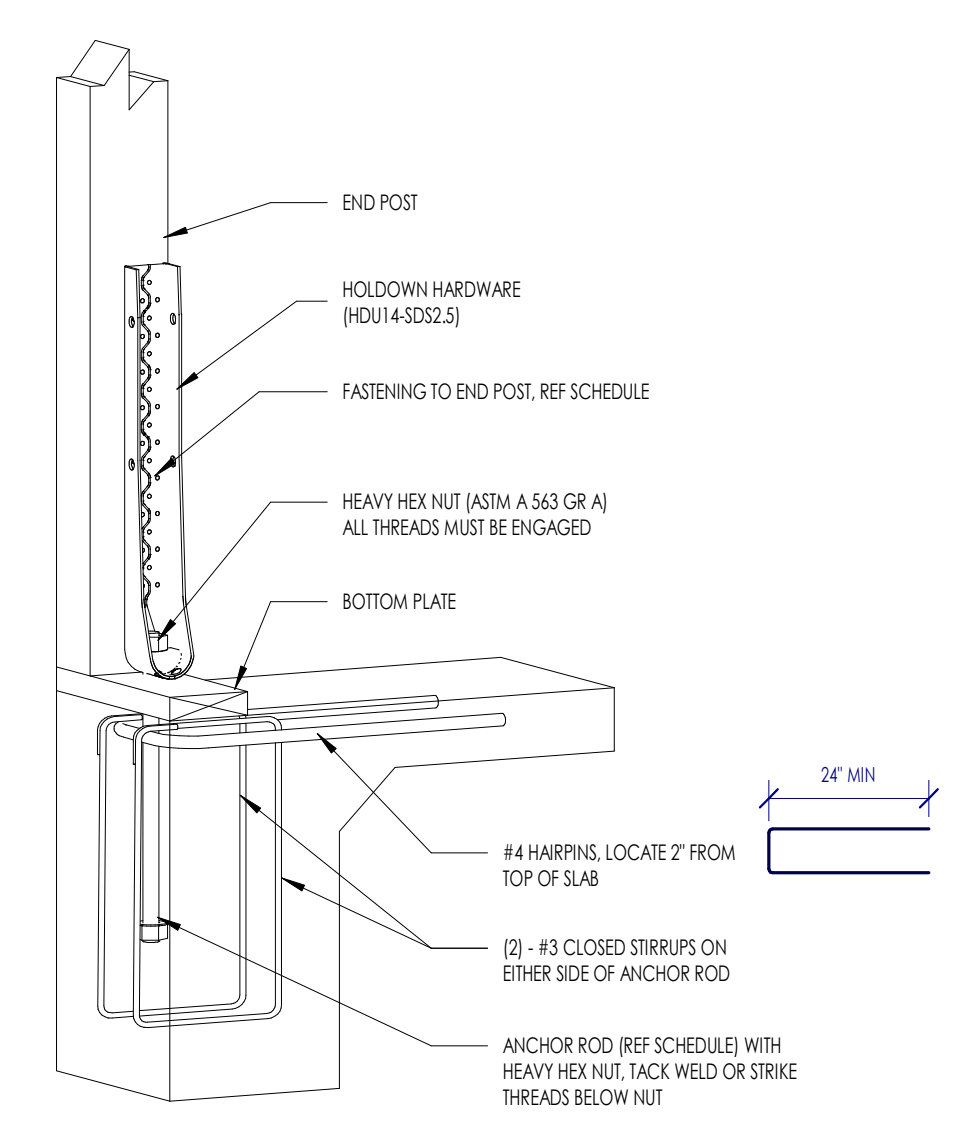
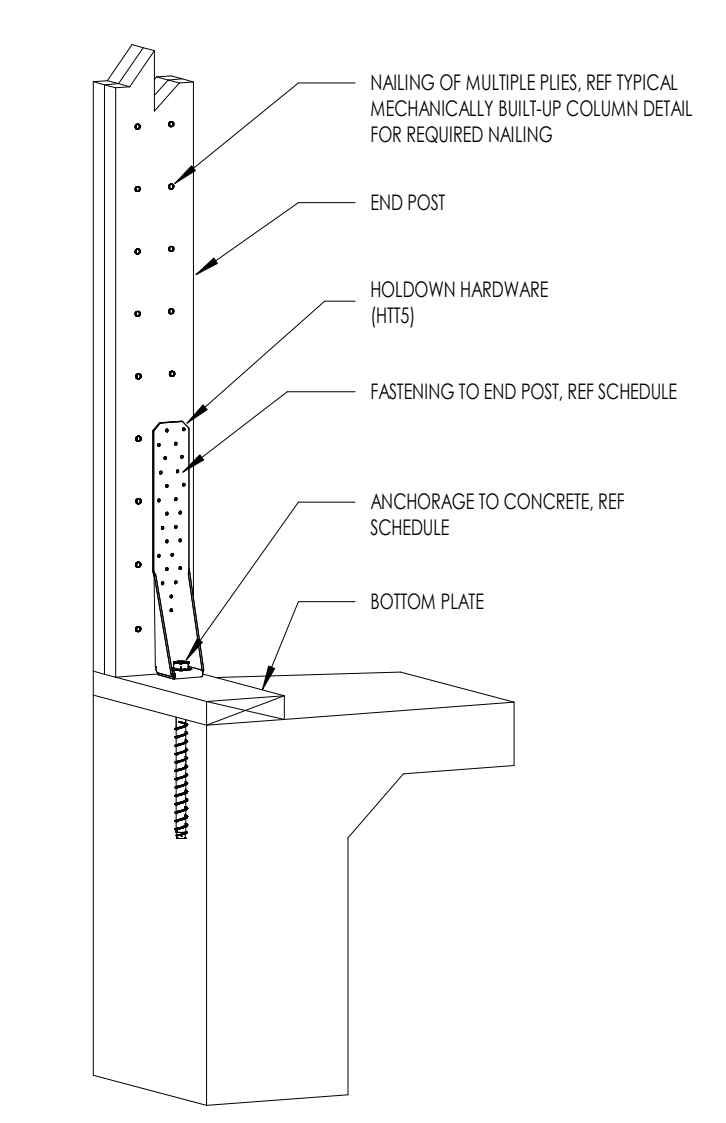


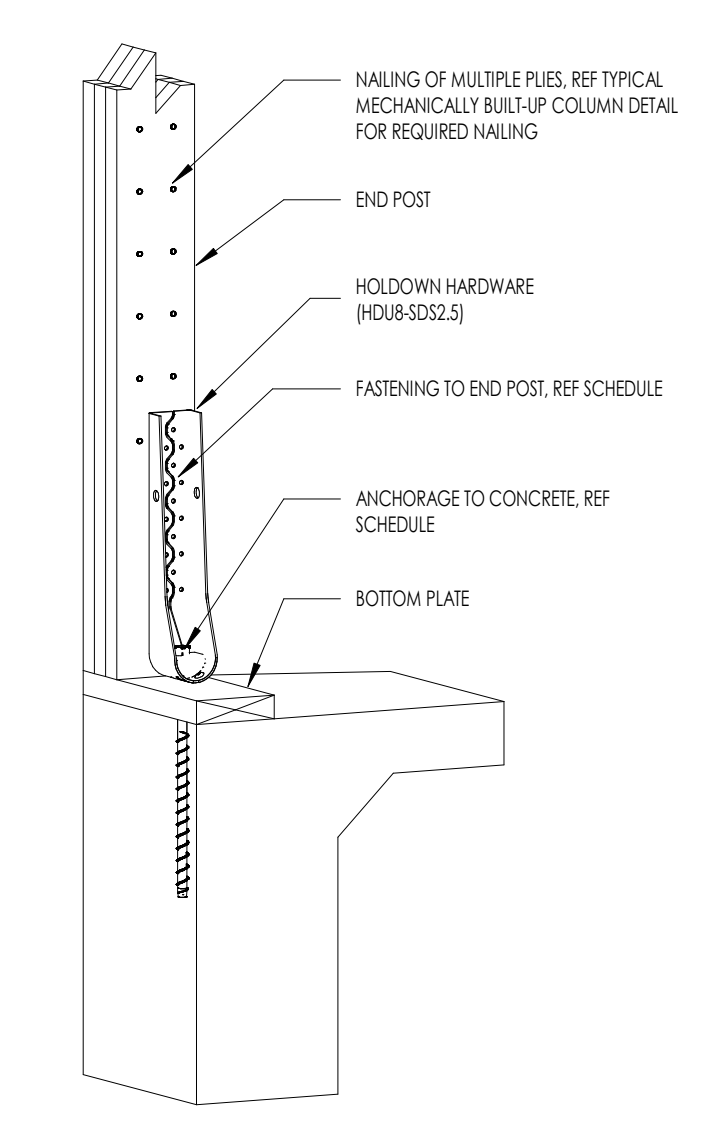
3D S4.3 LIT HOLDOWN



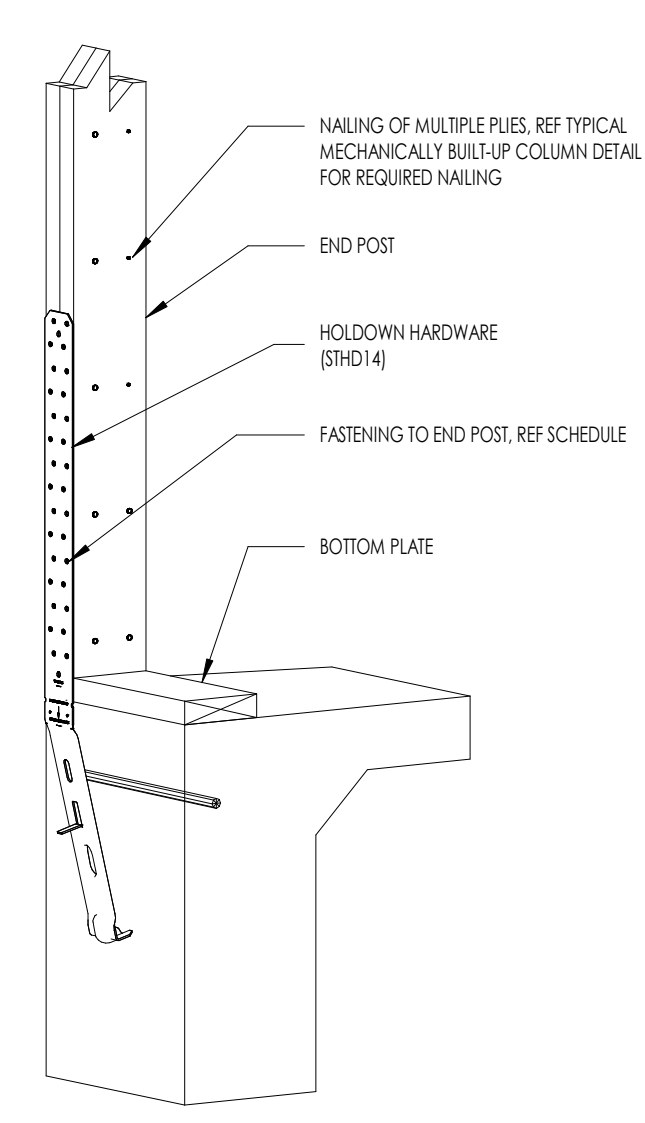
3D S4.3 HDU14-SDS2.5 HOLDOWN



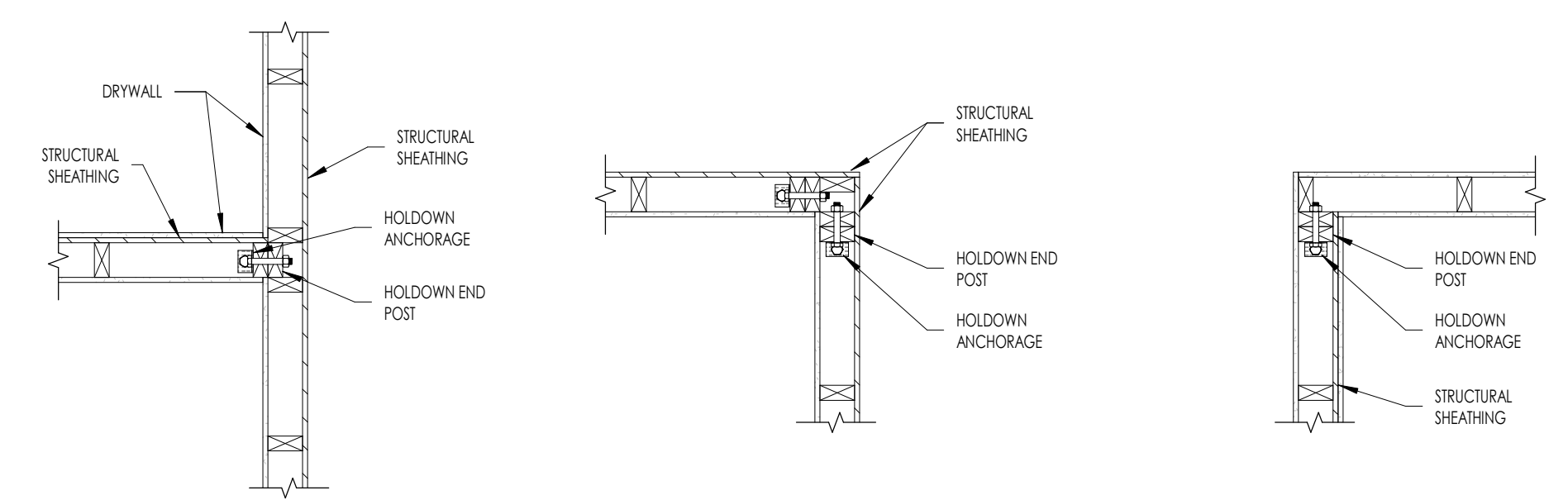
3D S4.3 HTS HOLDOWN



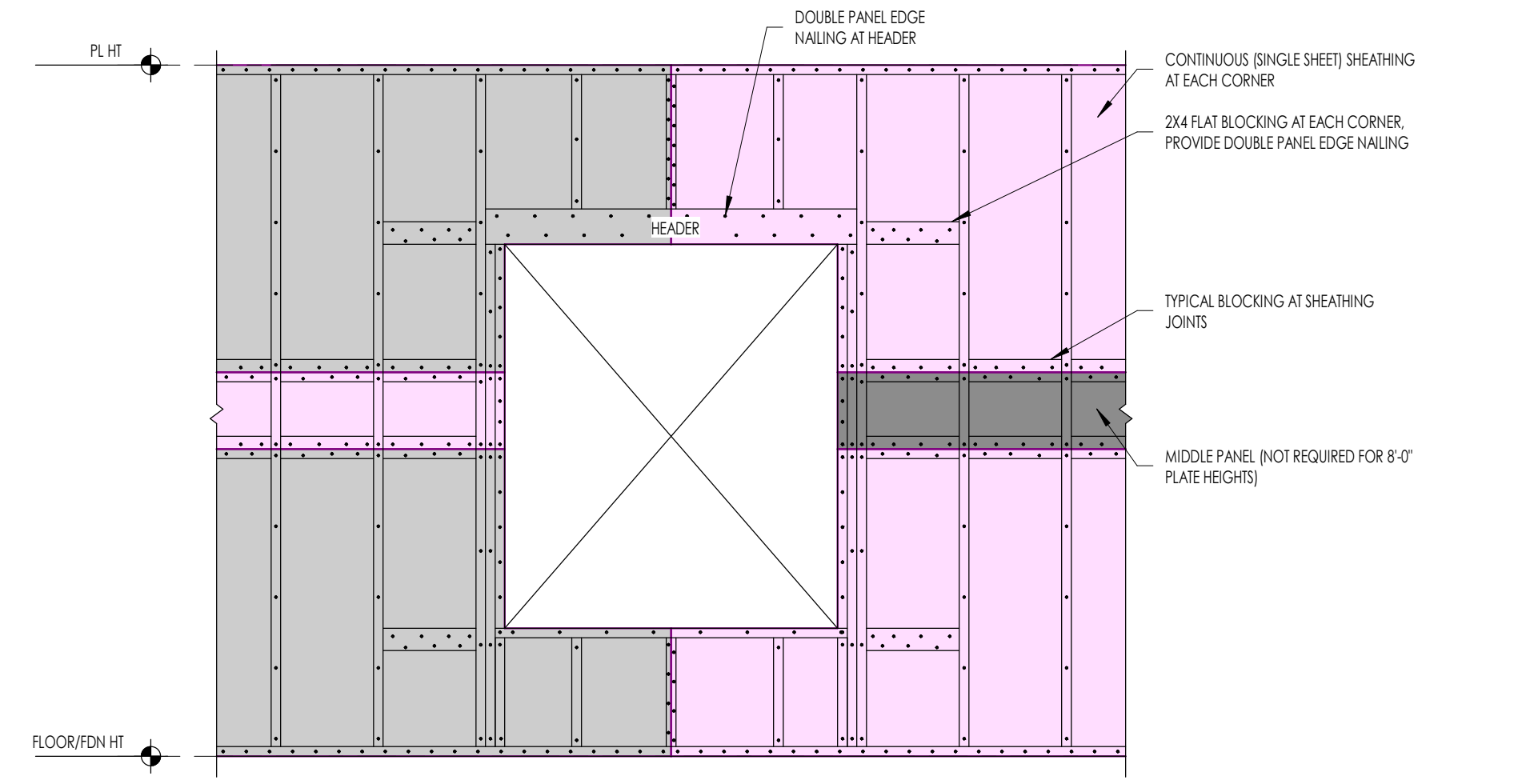
3D S4.3 HDU8-SDS2.5 HOLDOWN



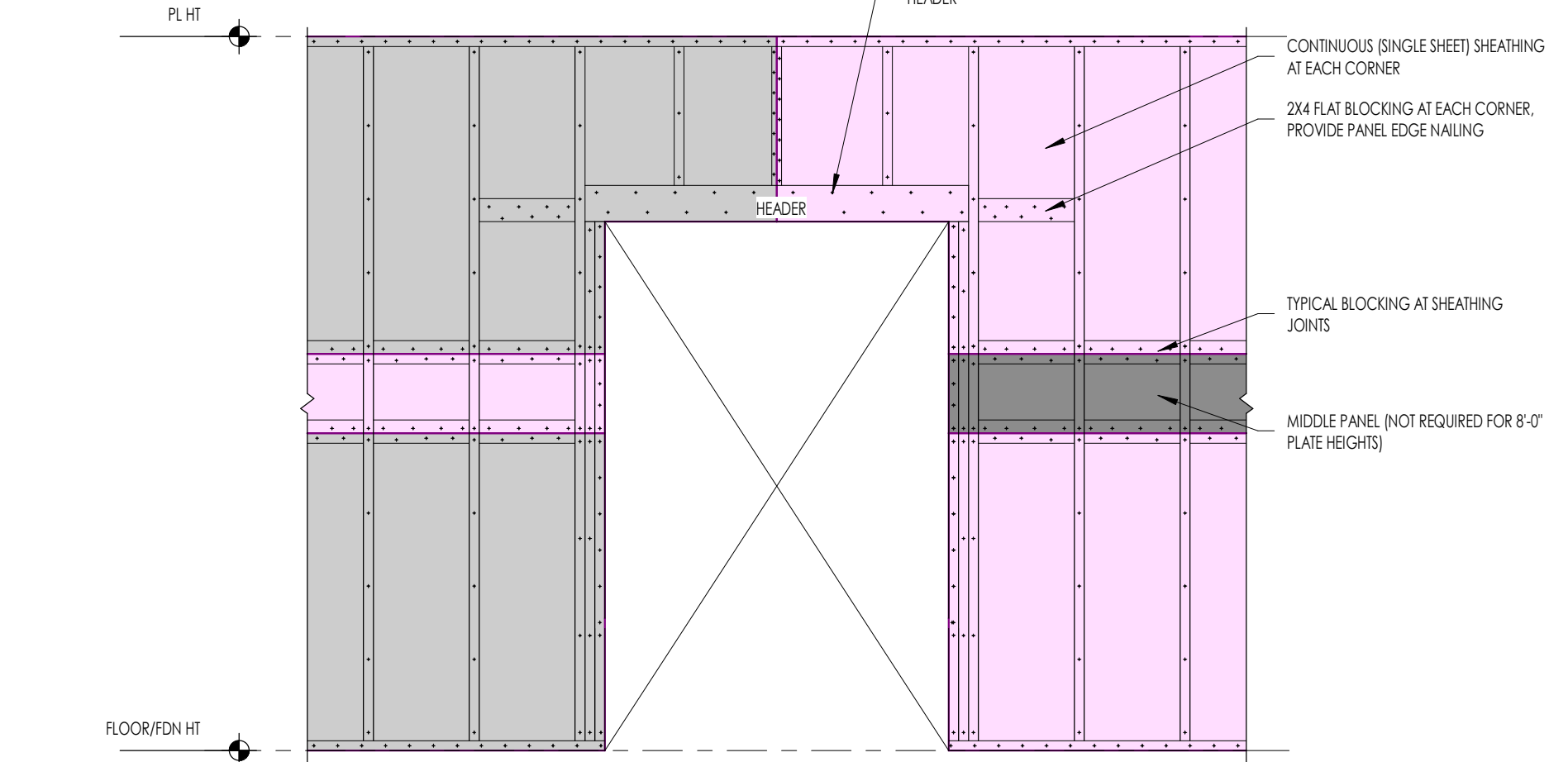
3D S4.3 STHD14 HOLDOWN



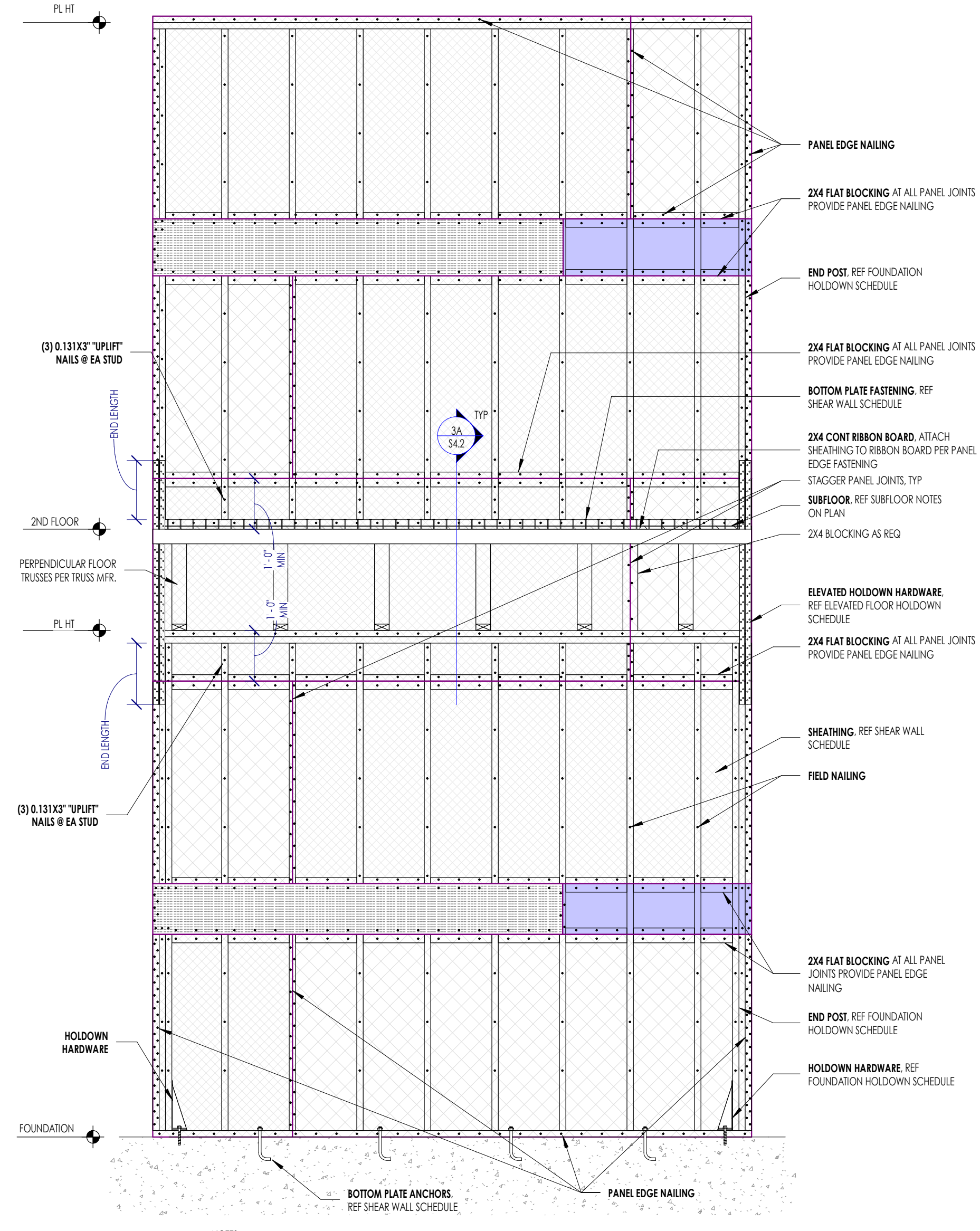
6C S4.3 SHEAR WALL - END POST CONFIGURATIONS



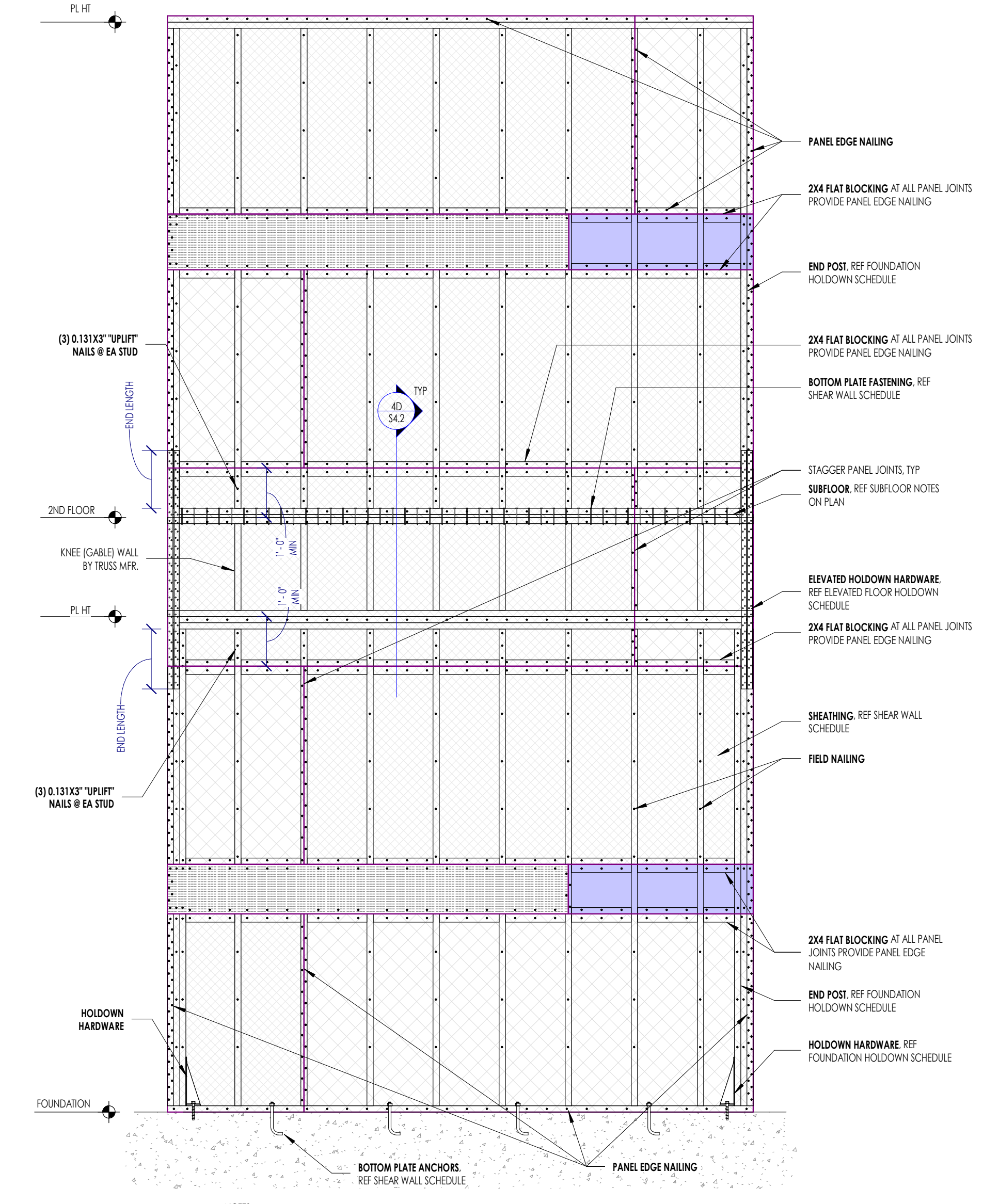
6B S4.3 SHEARWALL - FORCE TRANSFER AROUND OPENING



6A S4.3 SHEARWALL - FORCE TRANSFER AROUND OPENING (DOOR)



4A S4.3 TYPICAL MULTIPLE STORY SHEARWALL FRAMING AND FASTENING, TRUSSES PERPENDICULAR



2A S4.3 TYPICAL MULTIPLE STORY SHEARWALL FRAMING AND FASTENING, TRUSSES PARALLEL

This project, like most OpeningDesign's projects, is open source. (Attribution-ShareAlike 4.0 International-CC BY-SA 4.0)-freely available to any party for future use, assuming the terms such as Attribution and ShareAlike are honored.

Date	Description
08/26/2022	Review before Permit
08/26/2022	PERMIT REVISIONS