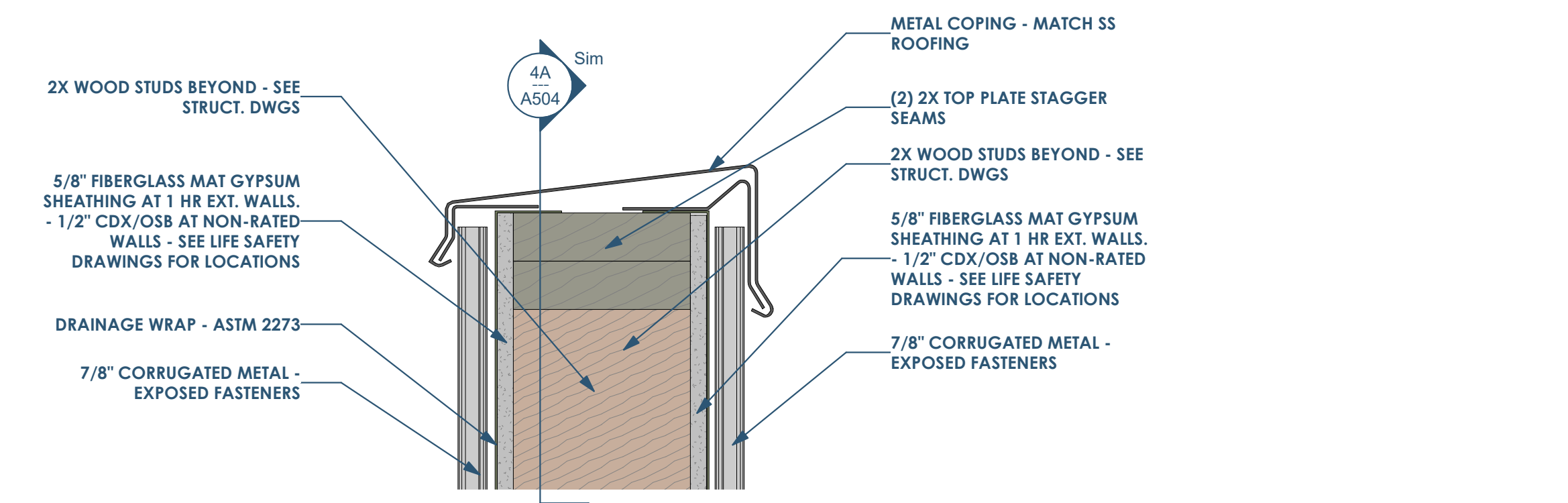
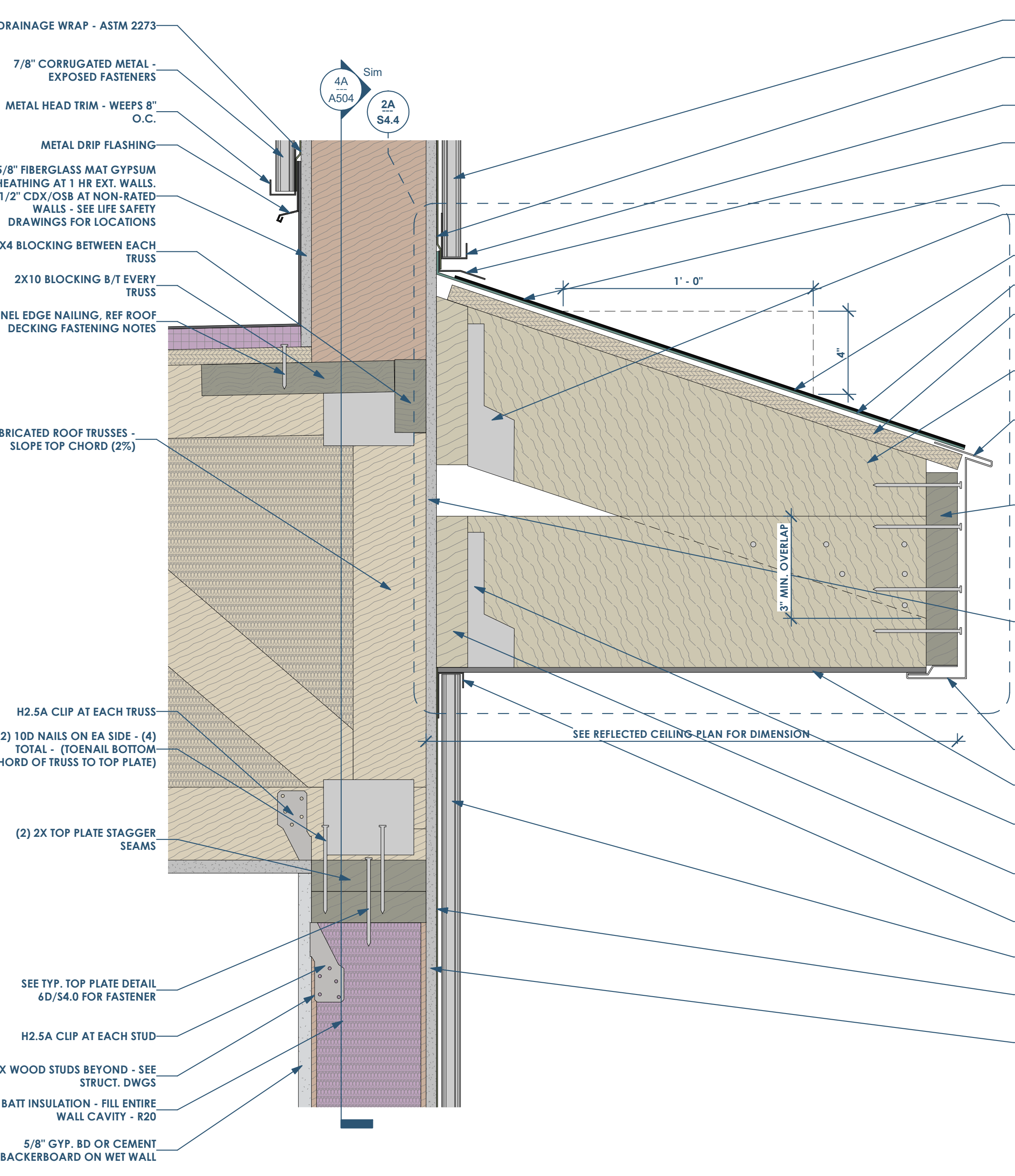


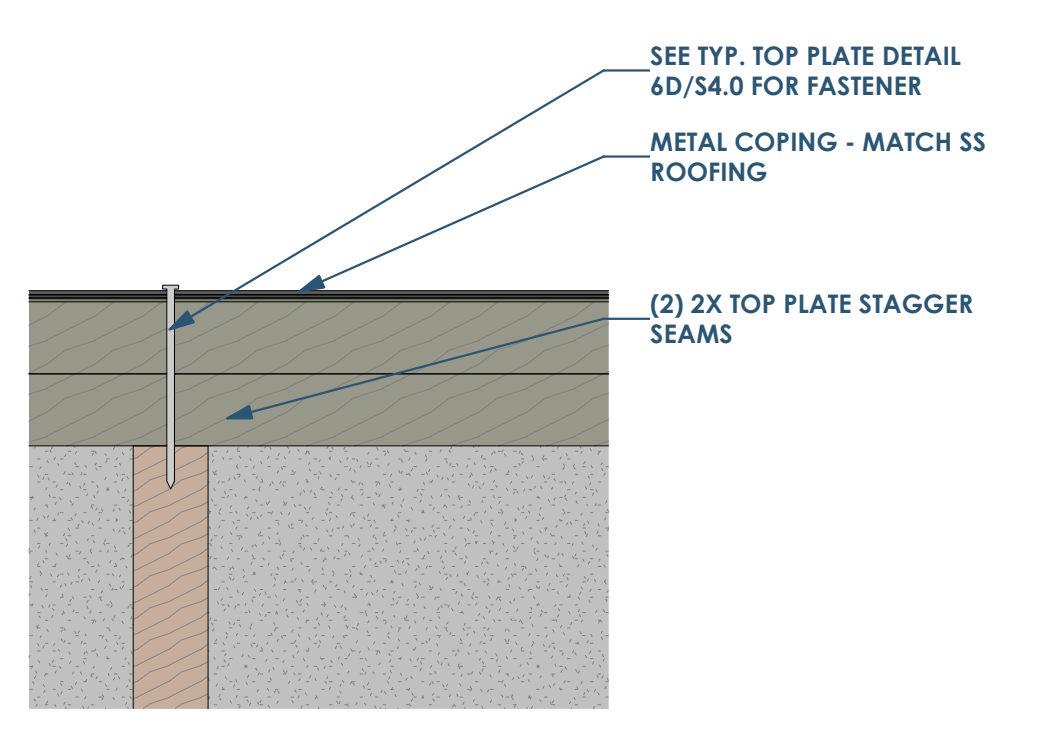
SECTION DETAIL AT OUTRIGGER
1 1/2" = 1'-0"



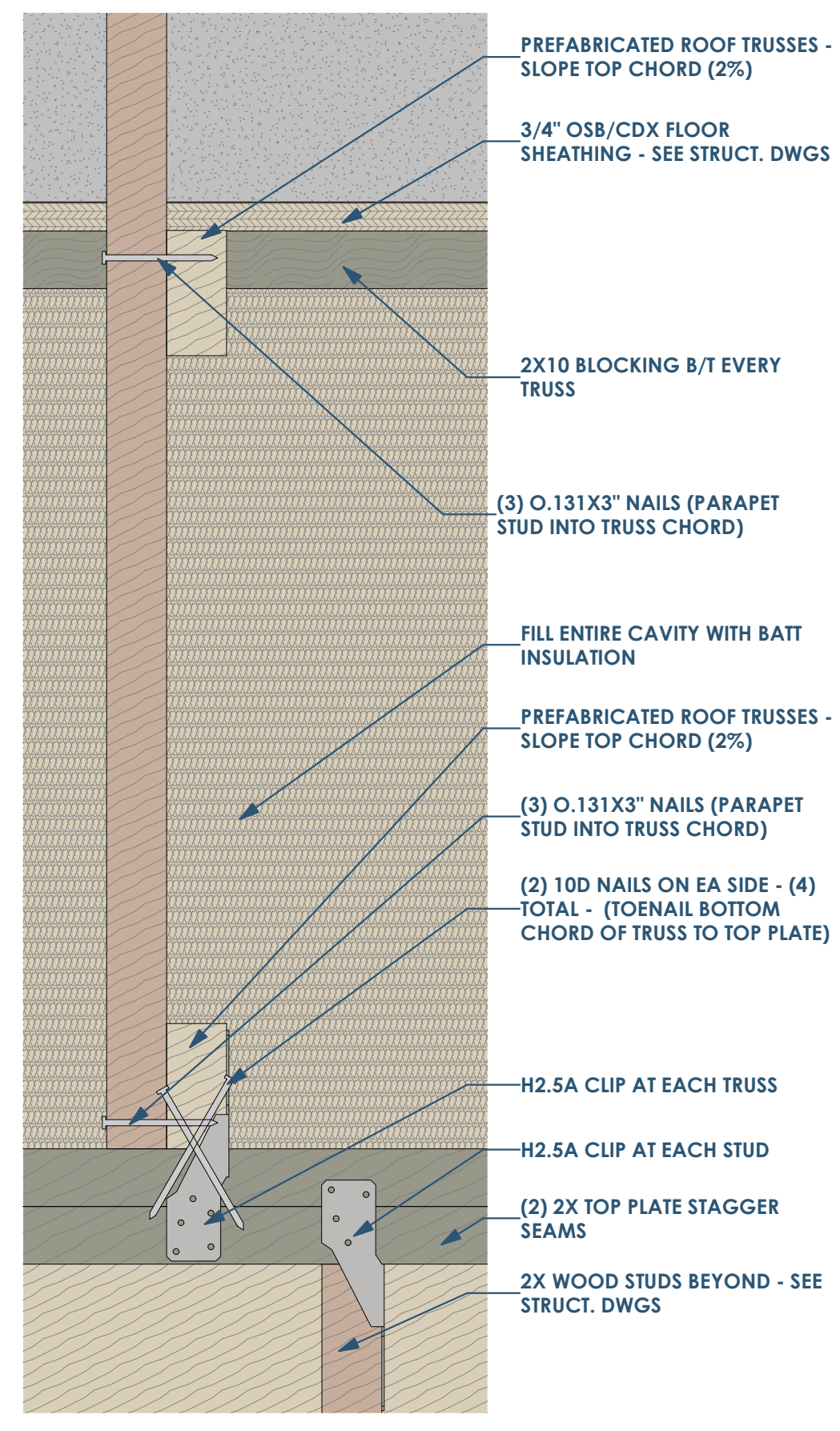
SECTION DETAIL - TOP OF PARAPET
3" = 1'-0"



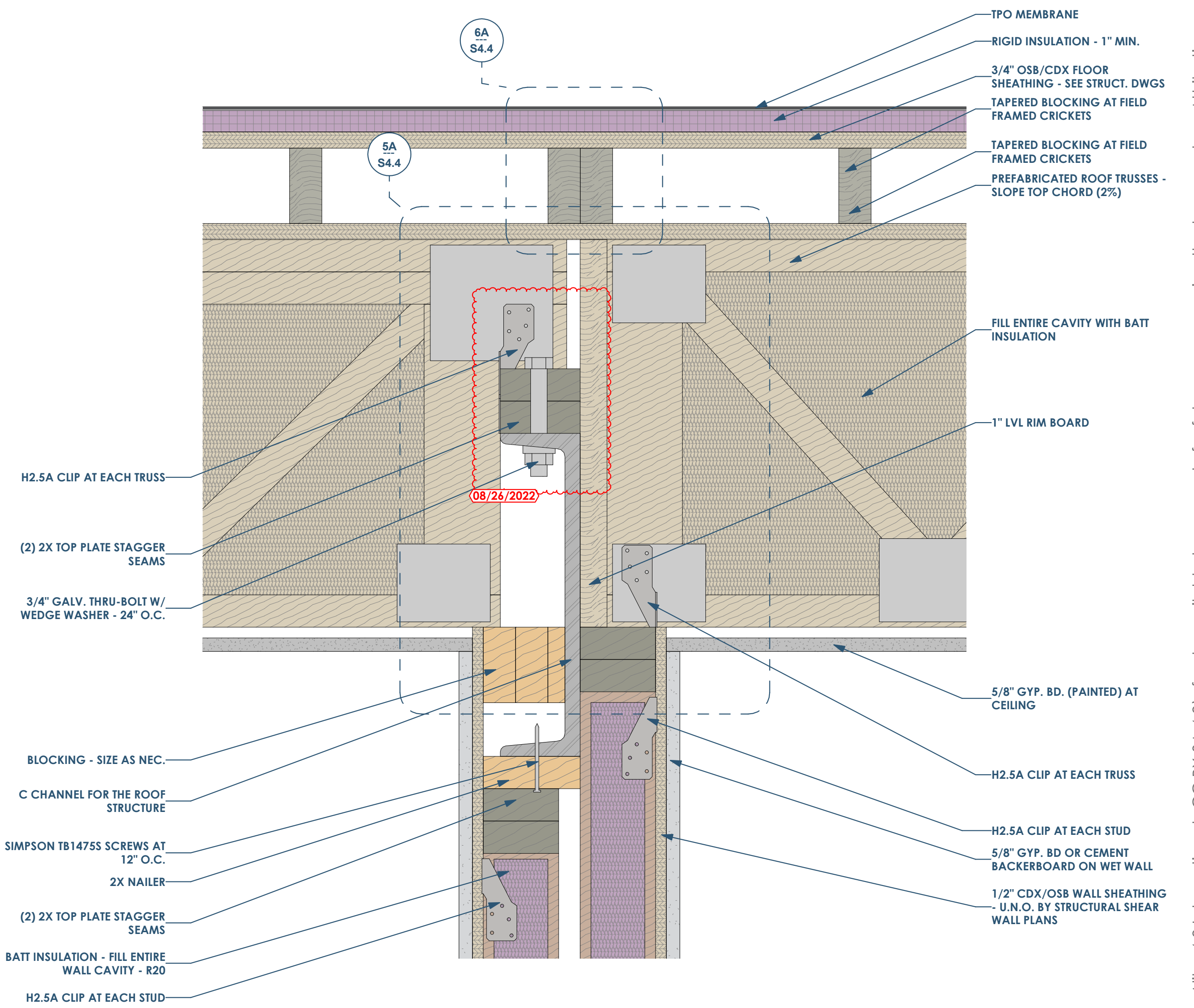
SECTION DETAIL - ROOF AND SOFFIT
3" = 1'-0"



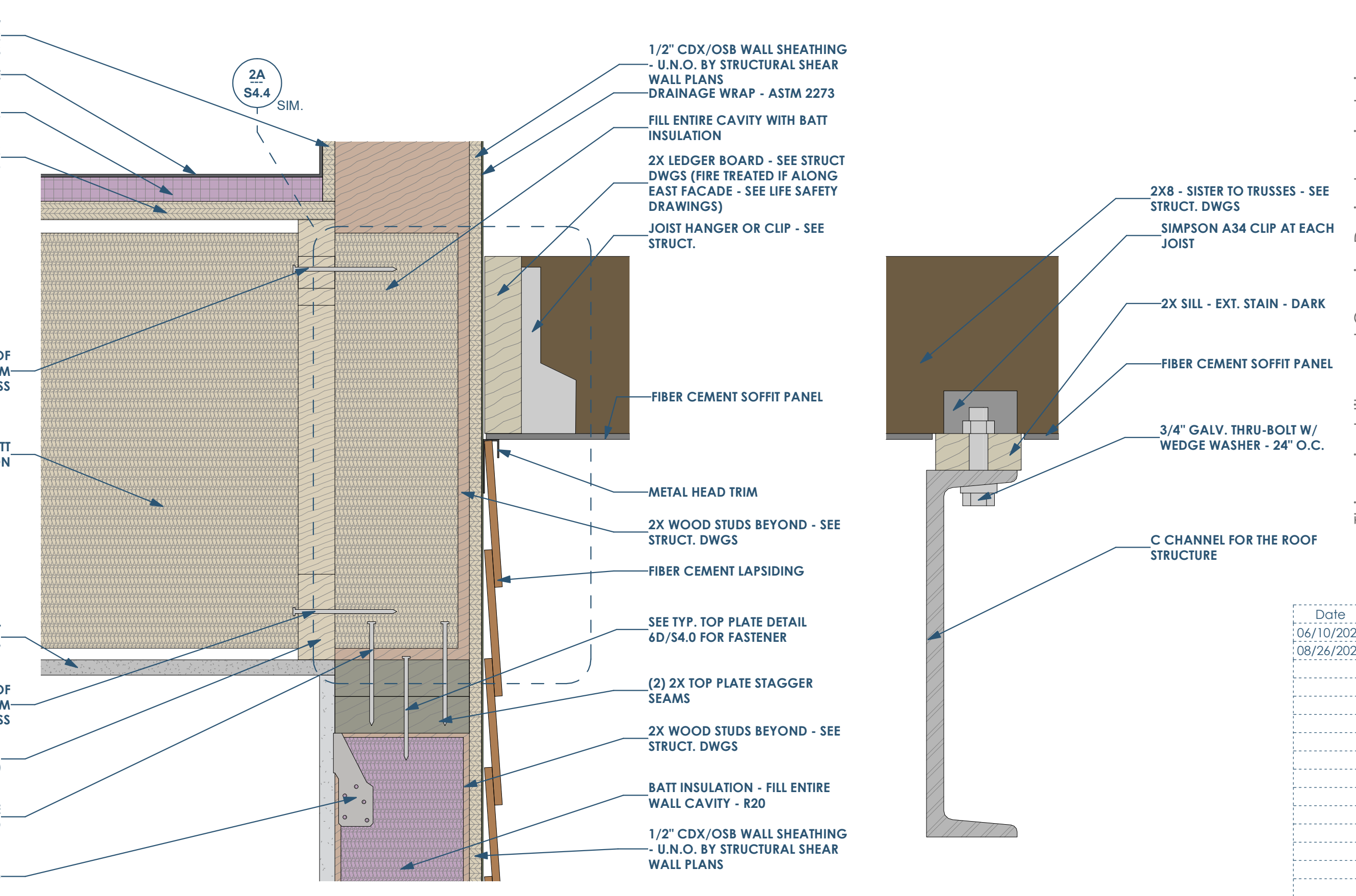
SECTION DETAIL - AT ROOF BEAM
3" = 1'-0"



SECTION DETAIL - AT SOFFIT AND ALCOVE
3" = 1'-0"



SECTION DETAIL - AT ROOF BEAM
3" = 1'-0"



SECTION DETAIL - ALCOVE AT ROOF BEAM
3" = 1'-0"

This project, like most OpeningDesign's projects, is open source. (Attribution-ShareAlike 4.0 International-CC BY-SA 4.0)-freely available to any party for future use, assuming the terms such as Attribution and ShareAlike are honored.

Date	Description
06/10/2022	Issued for Permit
08/26/2022	Permit Revisions