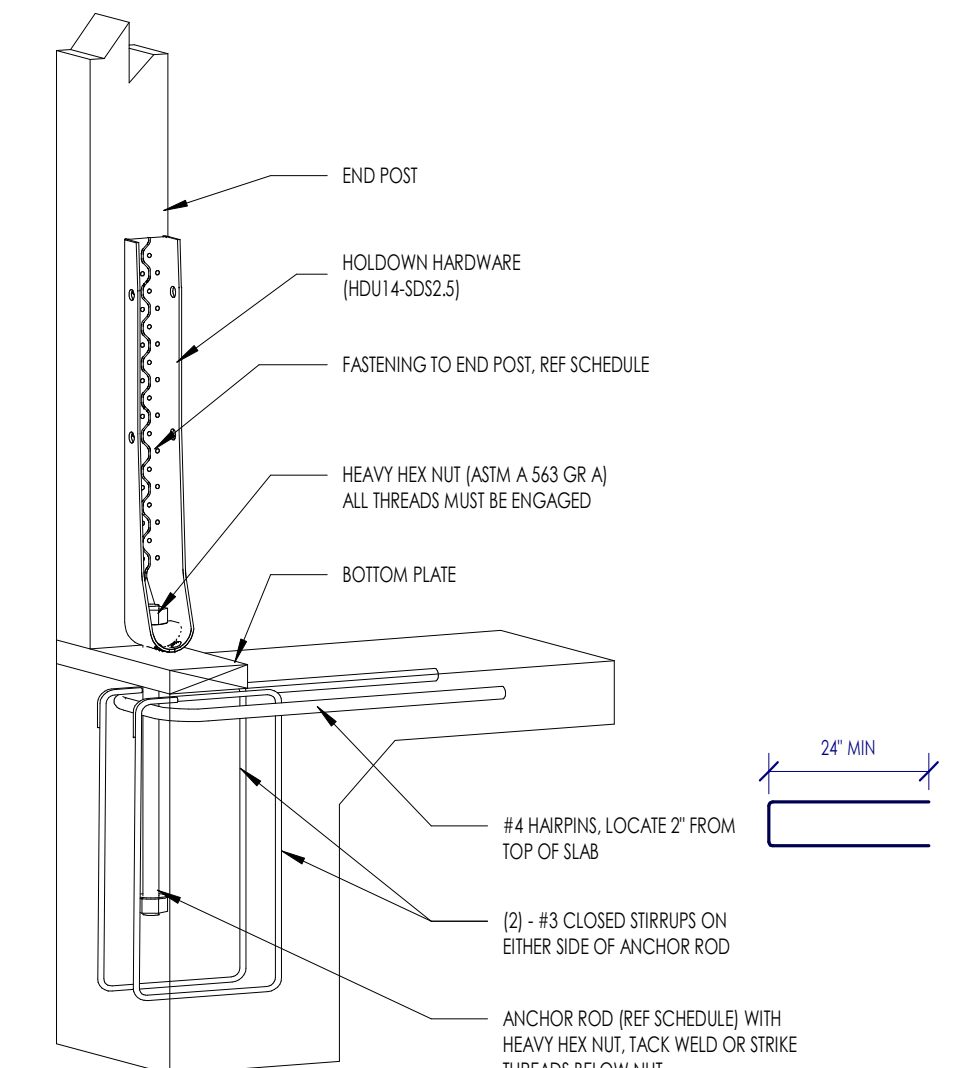
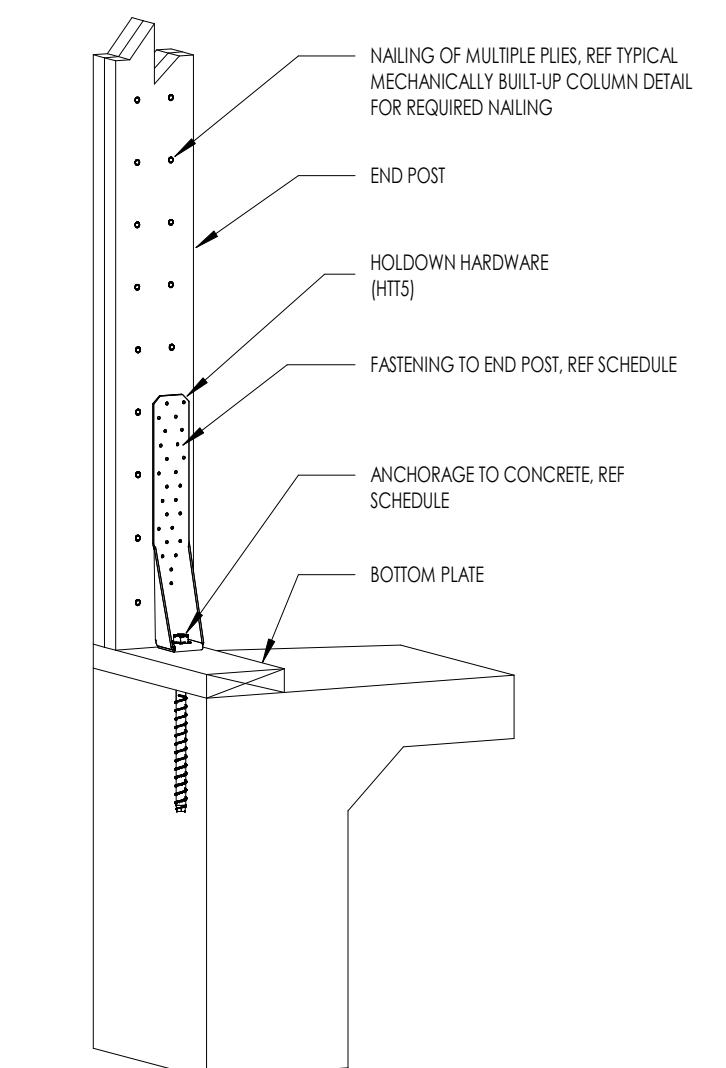


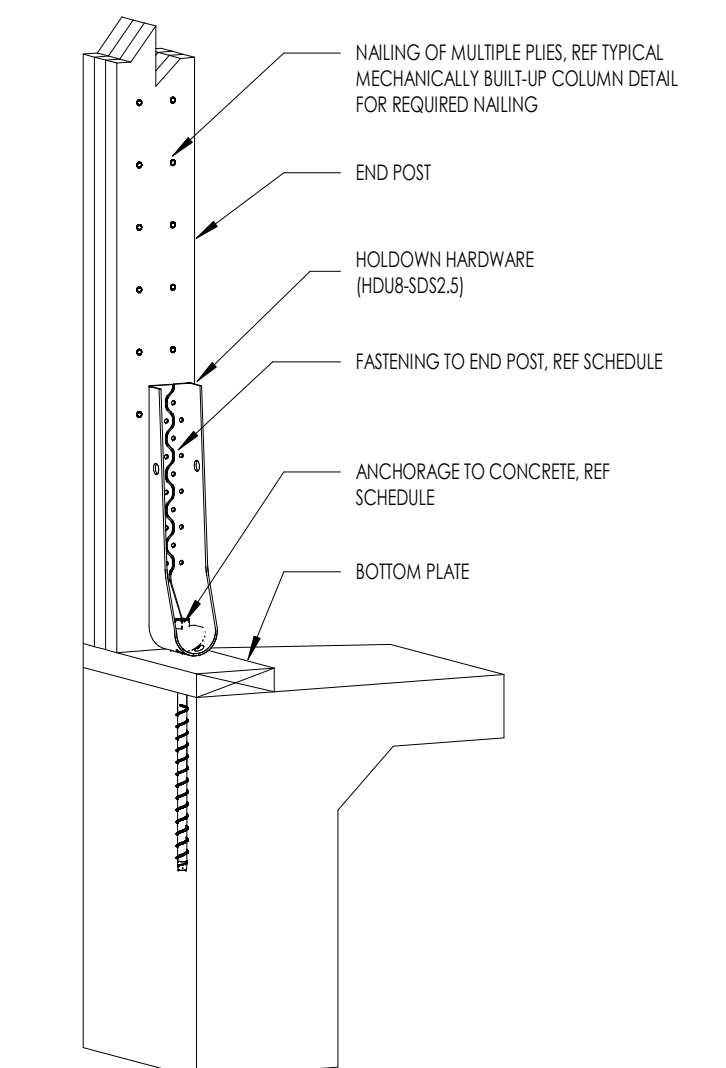
5D S4.3 LIT HOLDOWN



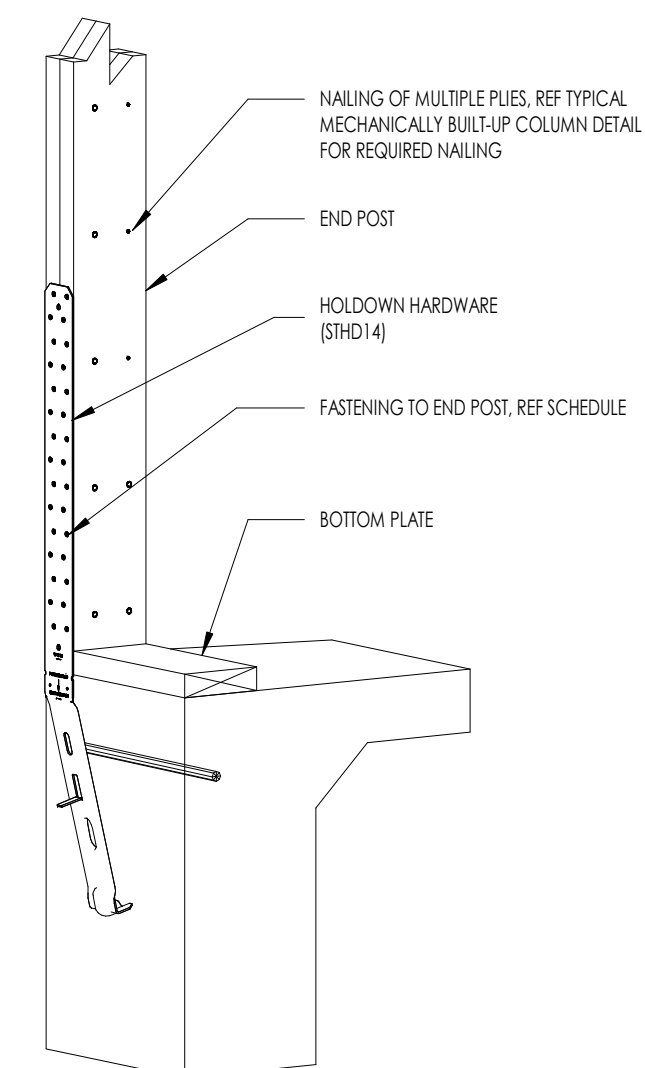
4D S4.3 HDU14-SDS2.5 HOLDOWN



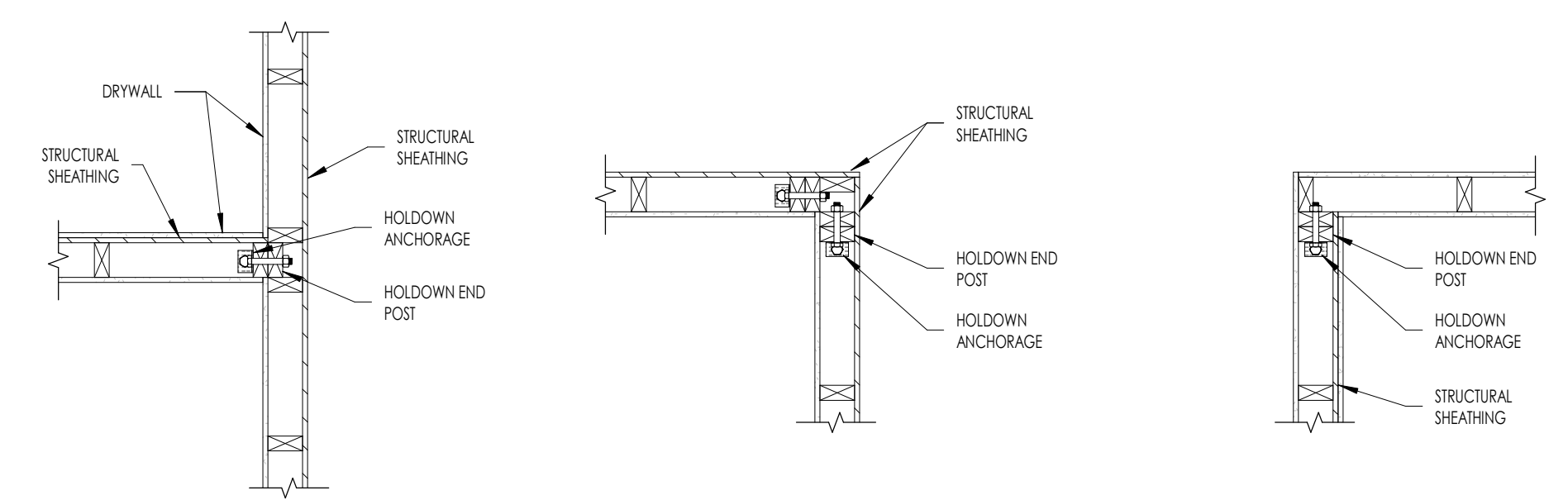
3D S4.3 HTS HOLDOWN



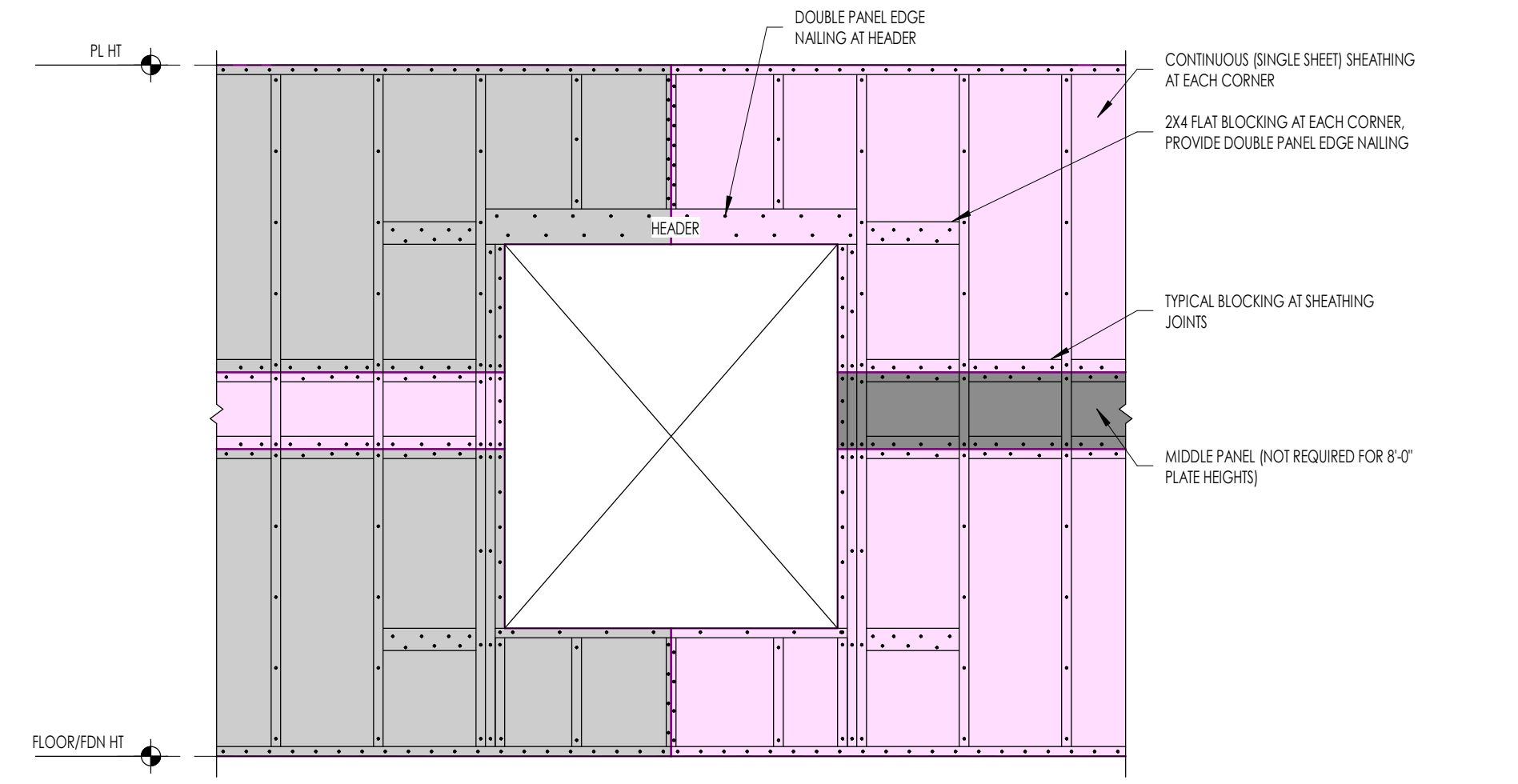
2D S4.3 HDU8-SDS2.5 HOLDOWN



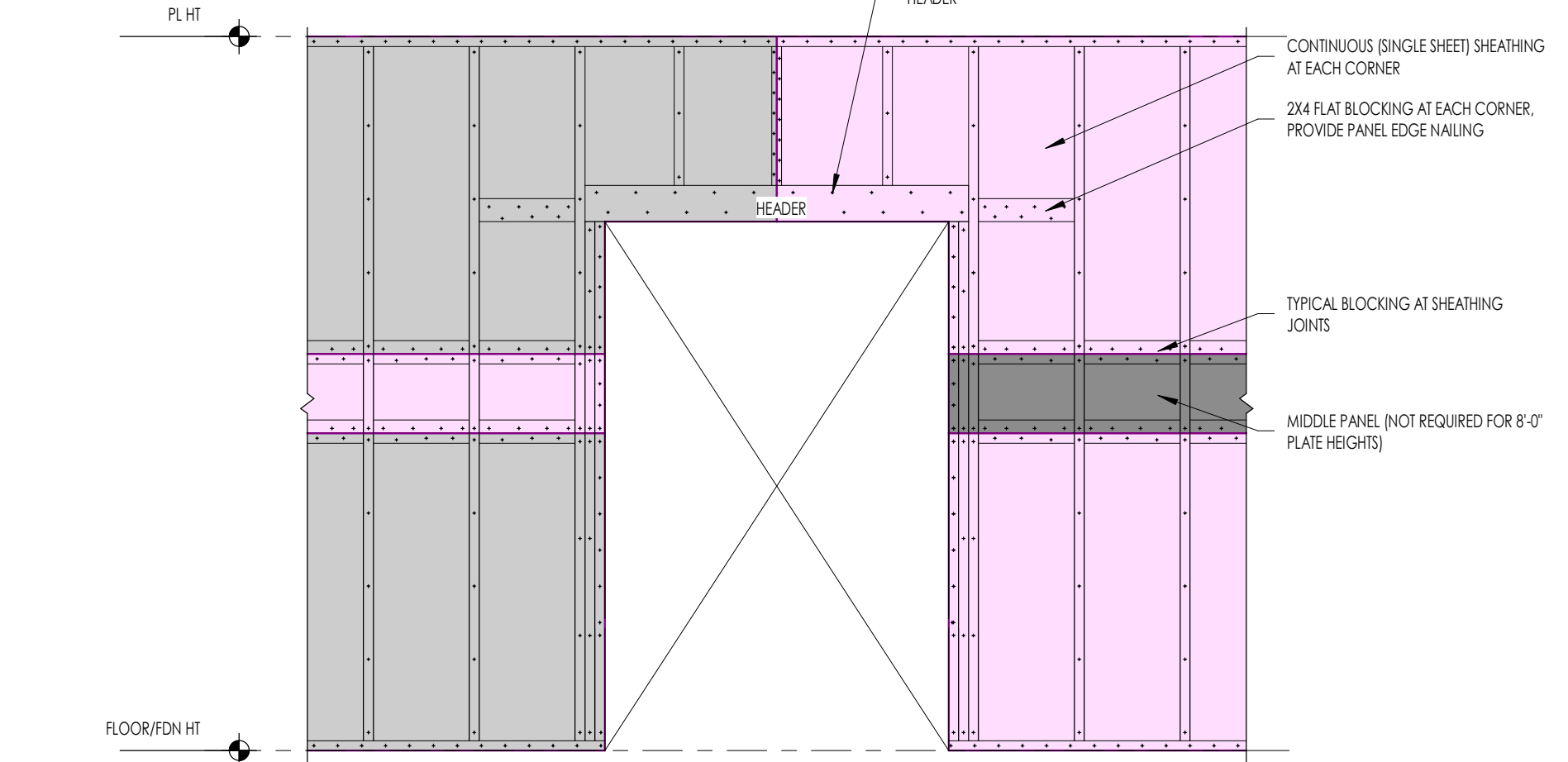
1D S4.3 STHD14 HOLDOWN



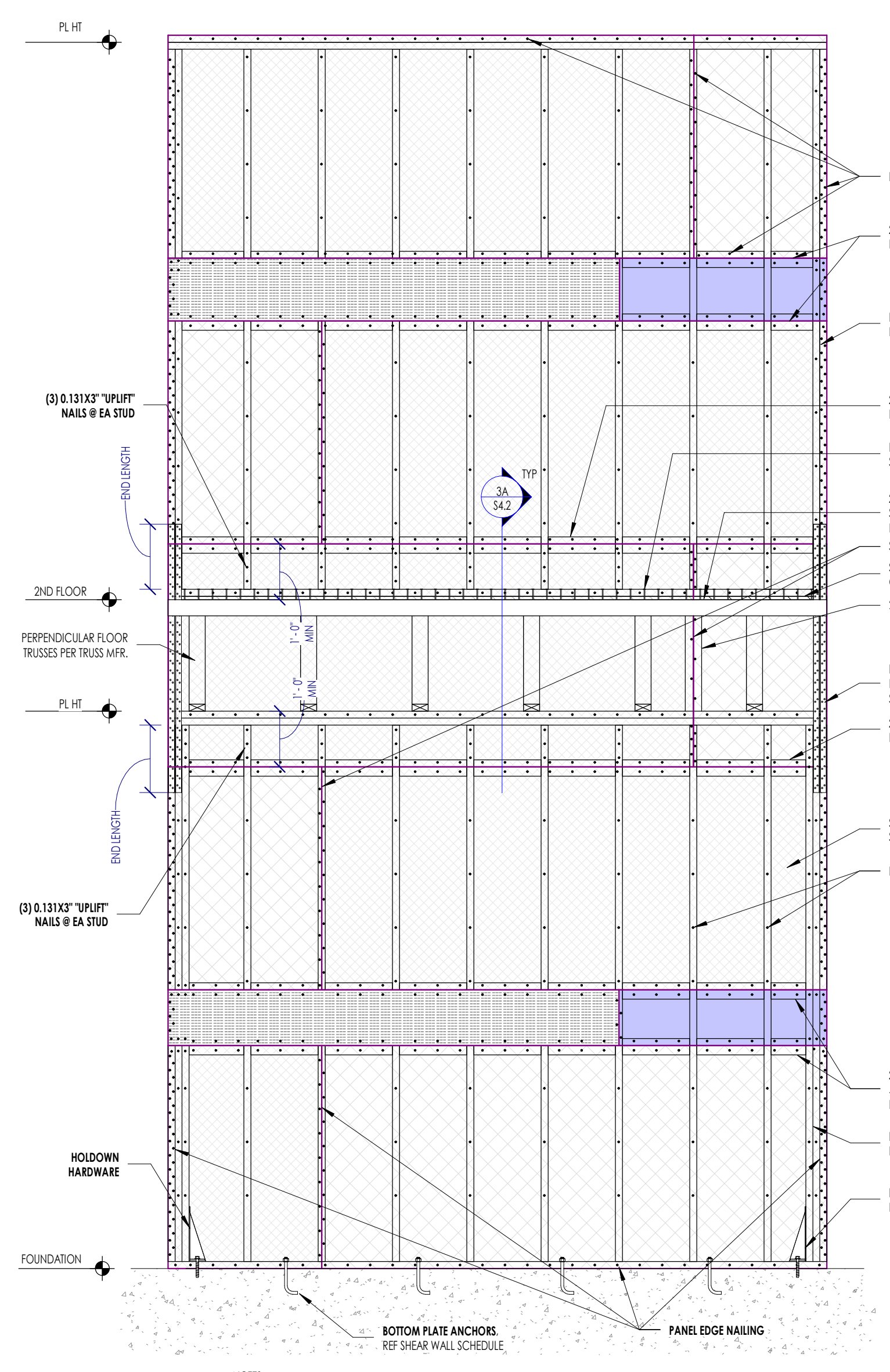
6C S4.3 SHEAR WALL - END POST CONFIGURATIONS



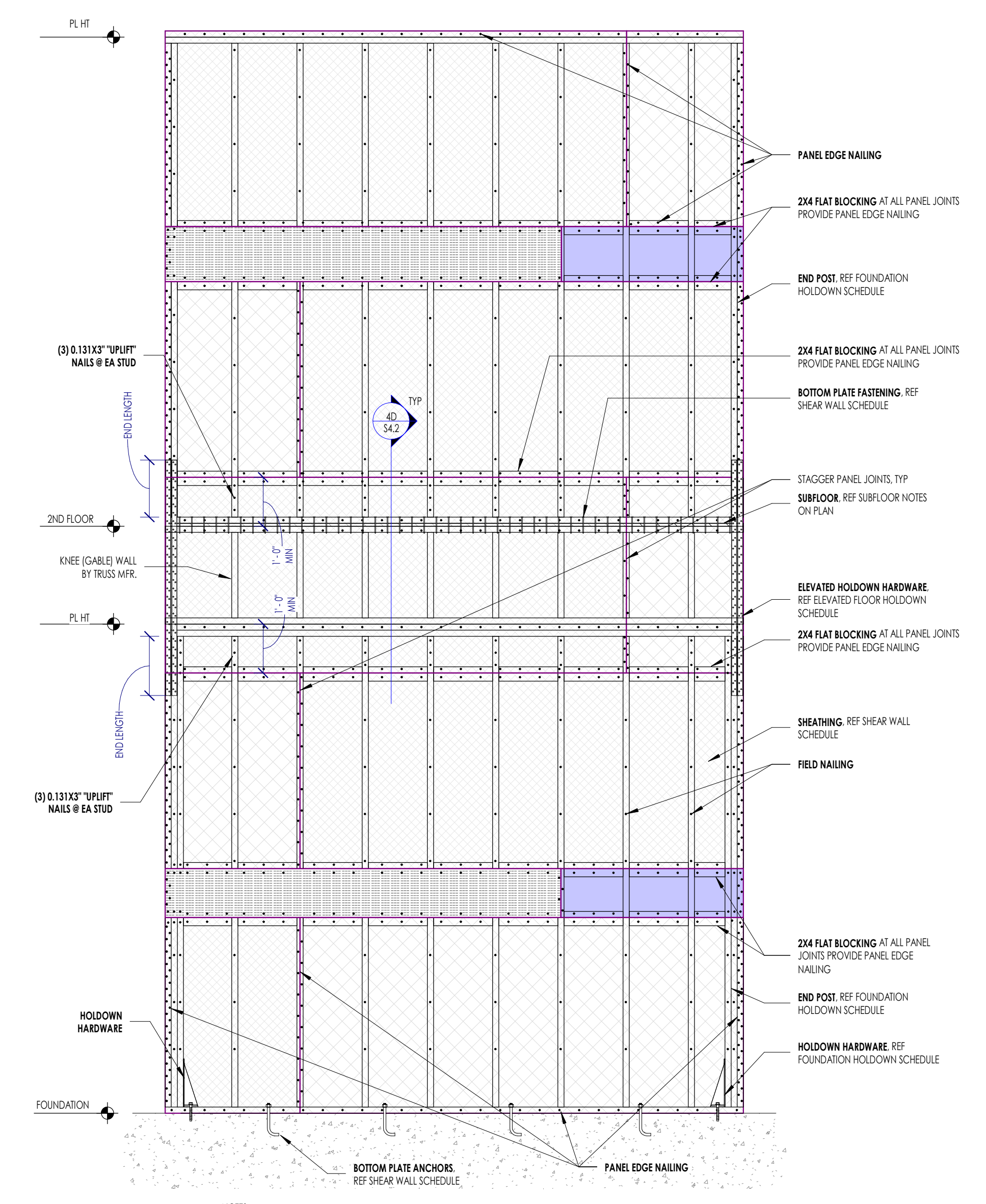
6B S4.3 SHEARWALL - FORCE TRANSFER AROUND OPENING



6A S4.3 SHEARWALL - FORCE TRANSFER AROUND OPENING (DOOR)



4A S4.3 TYPICAL MULTIPLE STORY SHEARWALL FRAMING AND FASTENING, TRUSSES PERPENDICULAR



2A S4.3 TYPICAL MULTIPLE STORY SHEARWALL FRAMING AND FASTENING, TRUSSES PARALLEL

RENOVATION Wranglers
 Owner: Renovation Wranglers
 102 E 26th St
 Bryan, TX 77803
 kate@renovations.com | 979.450.9969

LKB ARCHITECTURE
 Architect of Record: LKB Architecture
 2929 Allen Pkwy Suite 200
 Houston, TX 77019
 isa@lkbarchitecture.com | 713.425.3076

DUDDLEY
 Structural: Dudley
 6102 Imperial Loop Drive
 College Station, TX 77845
 (979) 777-0720

amc ENGINEERS
 MEP: AMC Engineers
 508 E Jackson St # 552
 Burnet, TX 78611
 info@amcengineers.com

openingdesign
 Architect: OpeningDesign
 17 S Fairchild | FL 7
 Madison, WI 53703
 ryan@openingdesign.com | 773.425.6456

This project, like most OpeningDesign's projects, is open source. (Attribution-ShareAlike 4.0 International-CC BY-SA 4.0)-freely available to any party for future use, assuming the terms such as Attribution and ShareAlike are honored.

Date	Description
06/10/2022	Issued for Permit