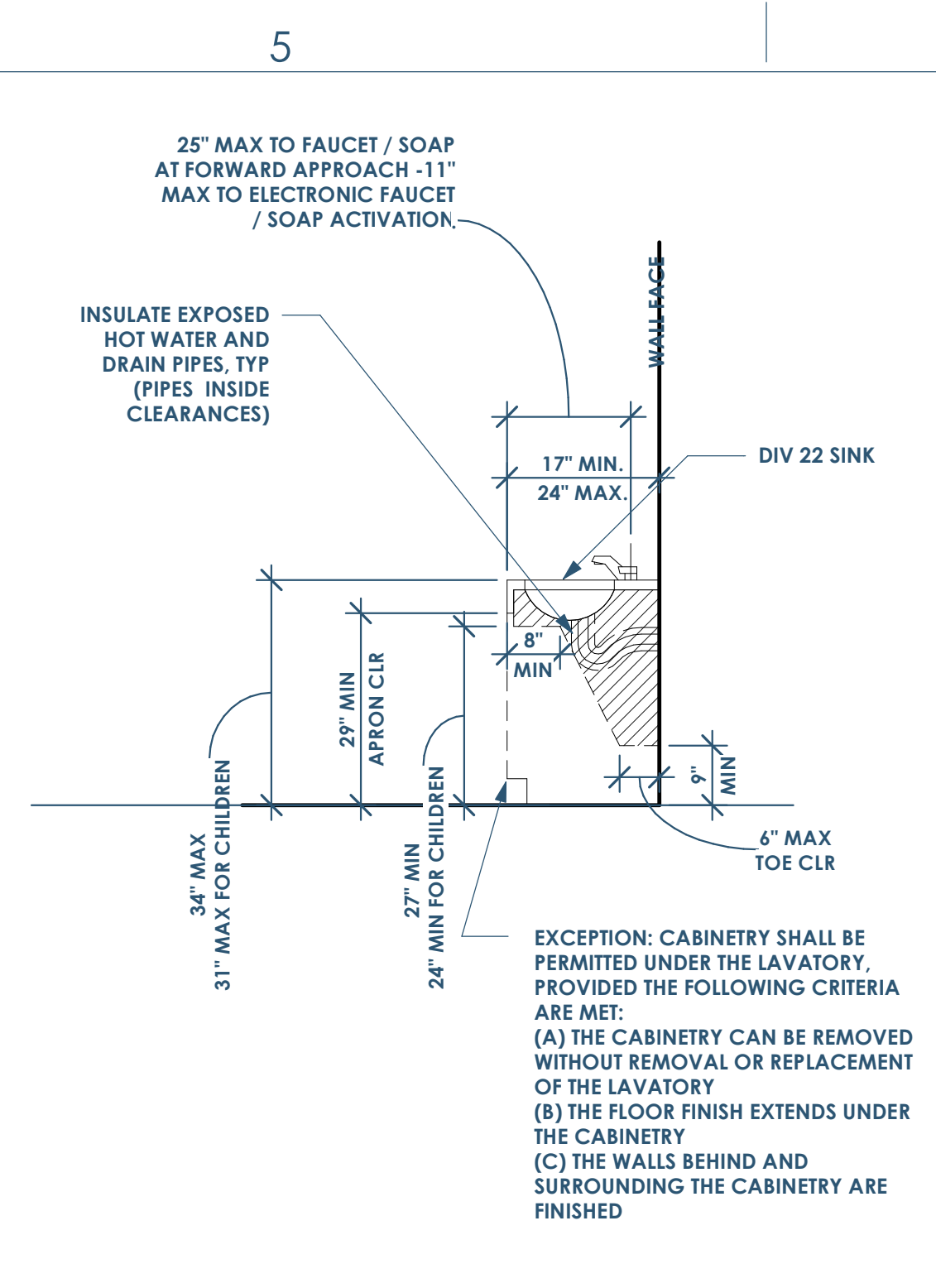
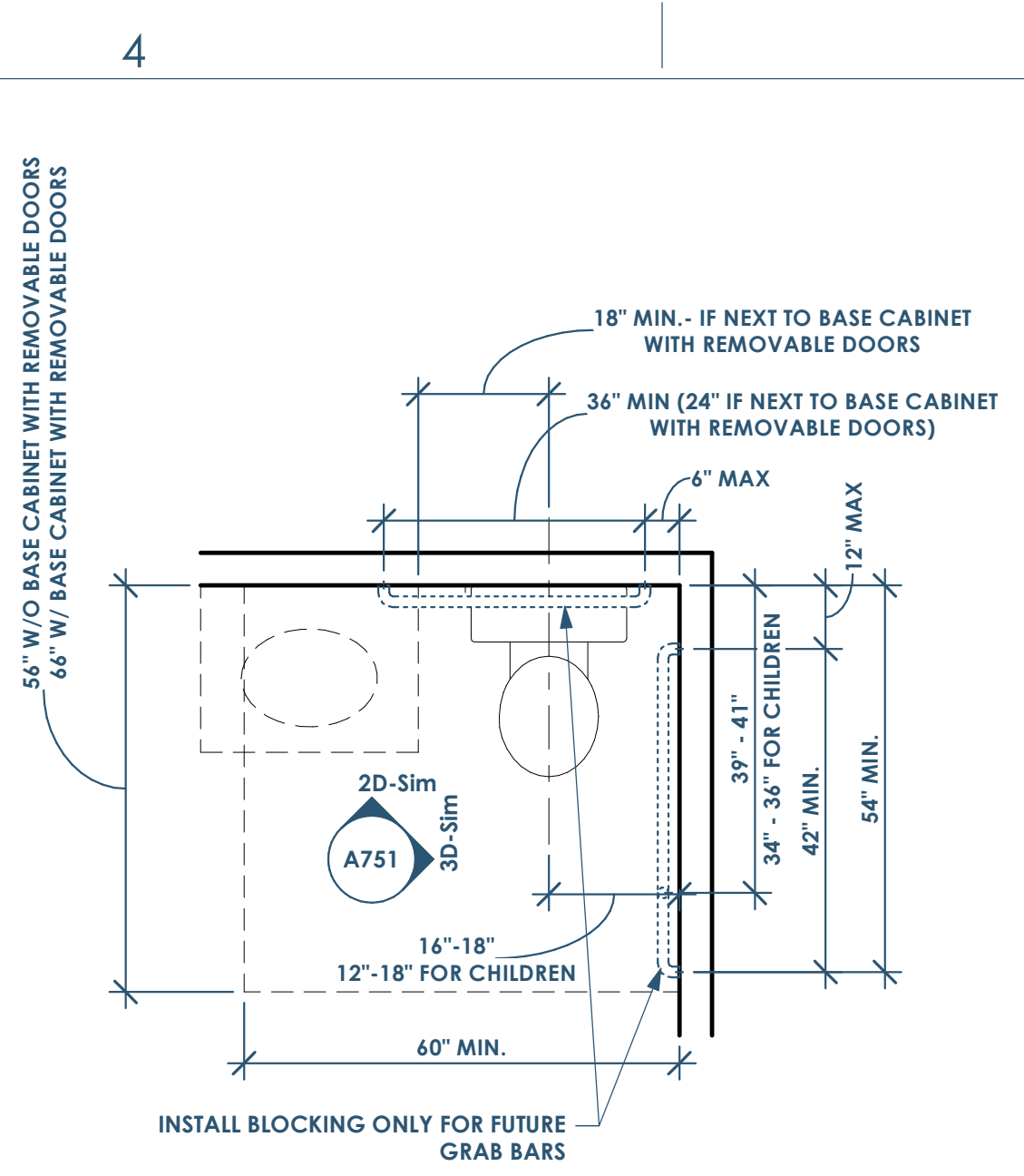


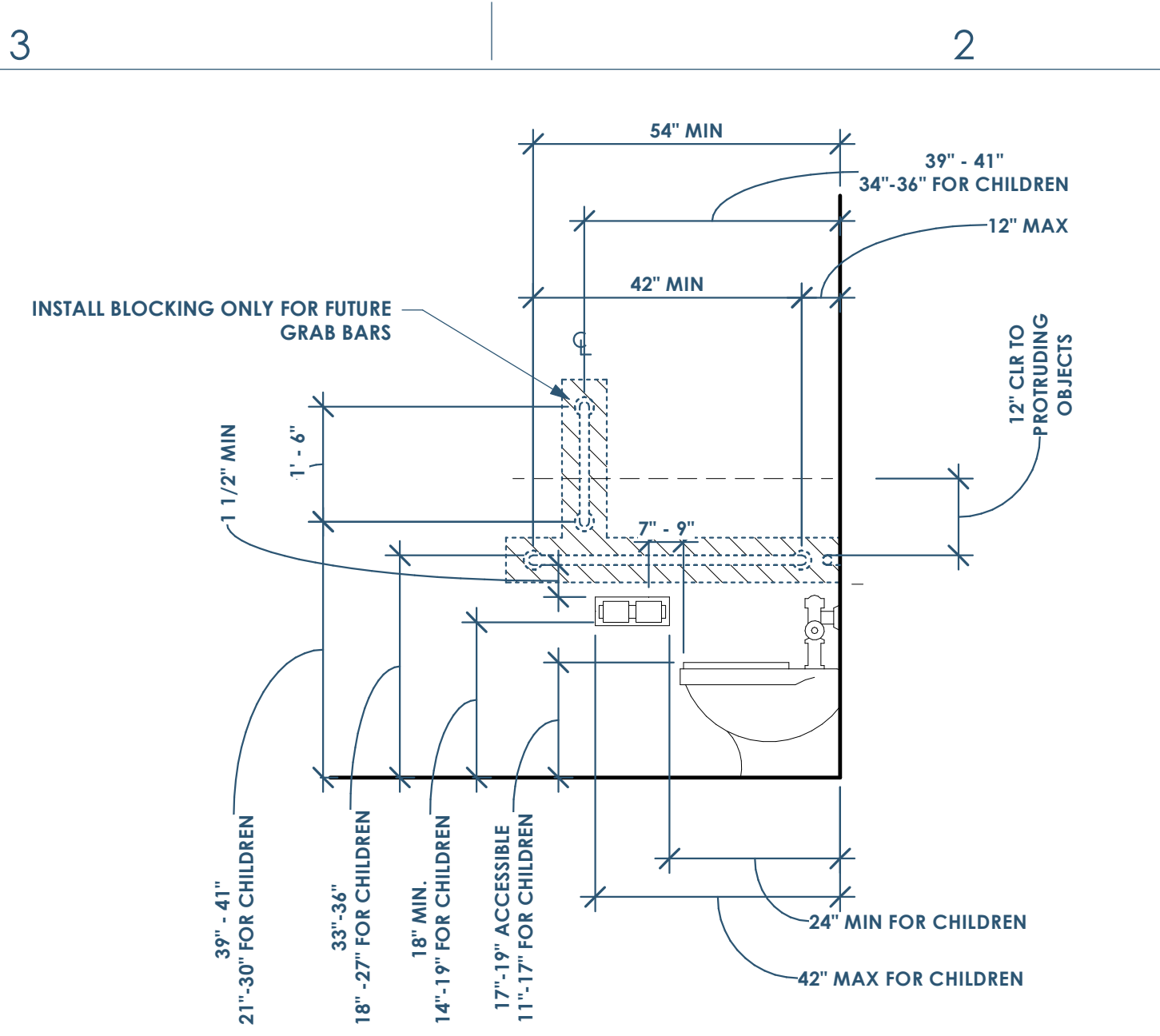
6D A751 ADA - TYPE A - LAVATORY - FRONT (OR TYPE B FRONT APPROACH)  
1/2" = 1'-0"



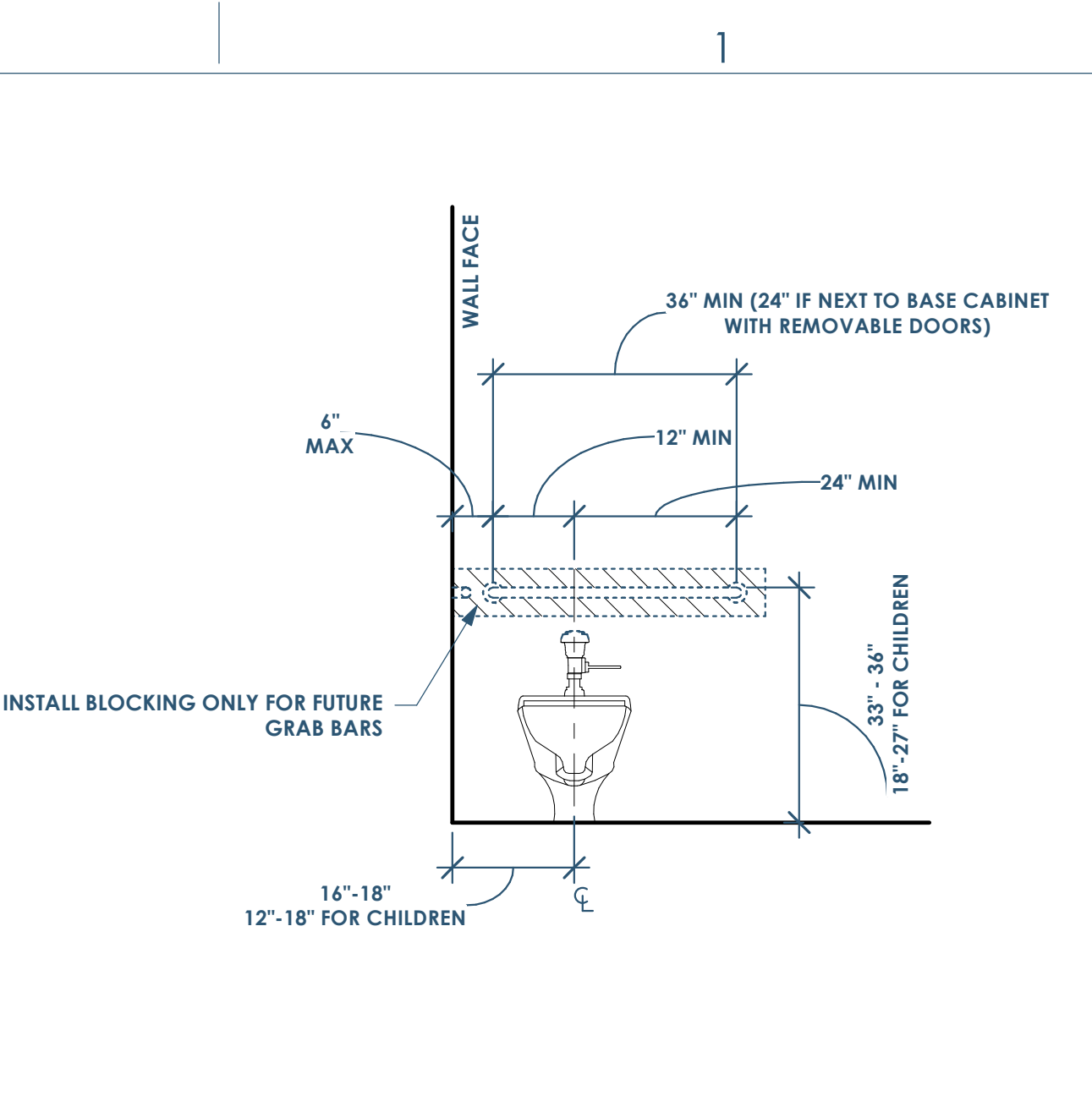
5D A751 ADA - TYPE A - LAVATORY - SIDE (OR TYPE B FRONT APPROACH)  
1/2" = 1'-0"



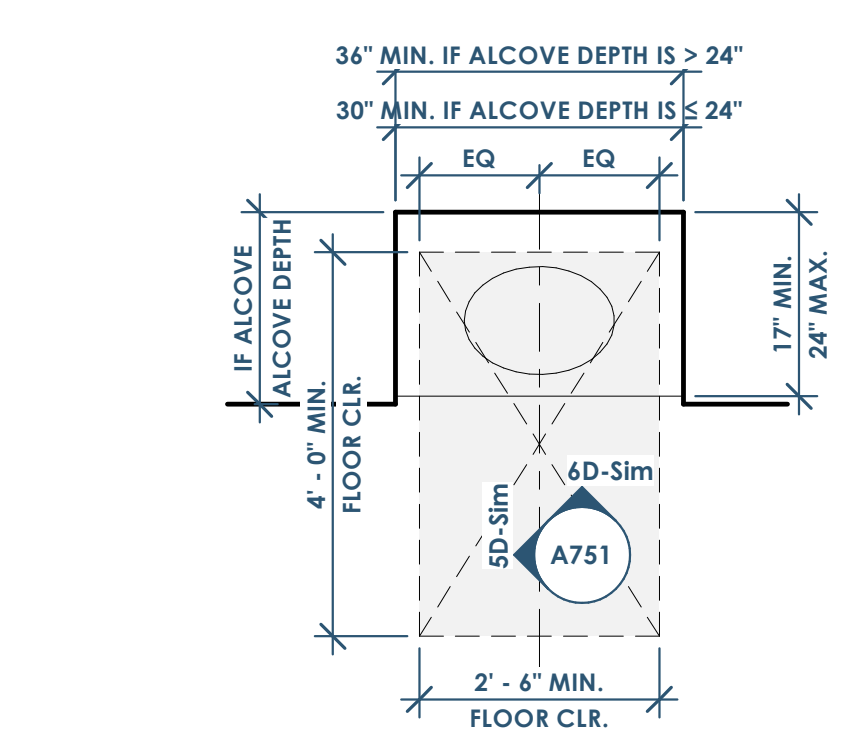
4D A751 ADA - TYPE A - WATER CLOSET - FLOOR PLAN (OR TYPE B FRONT APPROACH)  
1/2" = 1'-0"



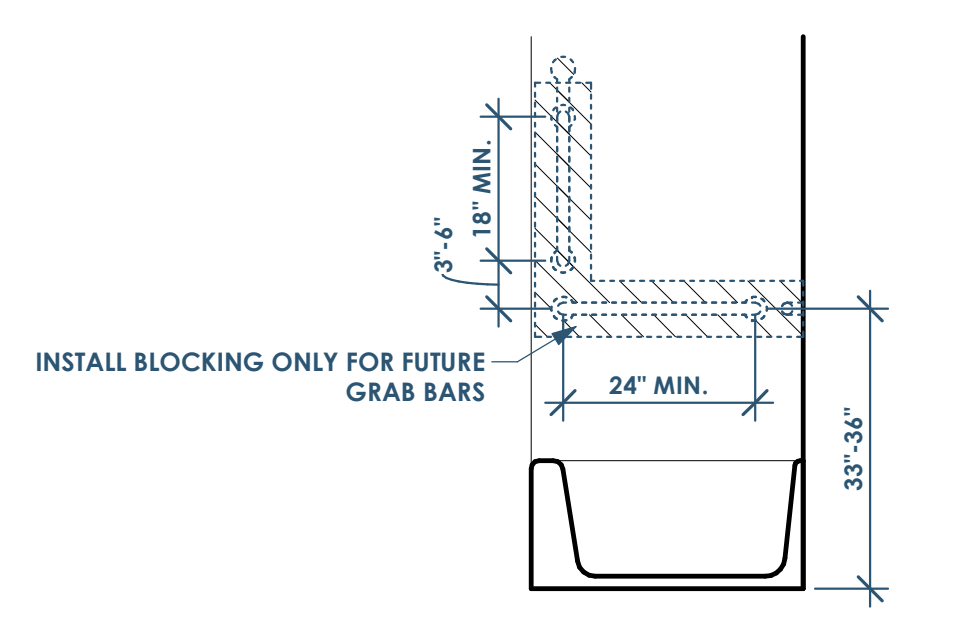
3D A751 ADA - TYPE A - WATER CLOSET - SIDE  
1/2" = 1'-0"



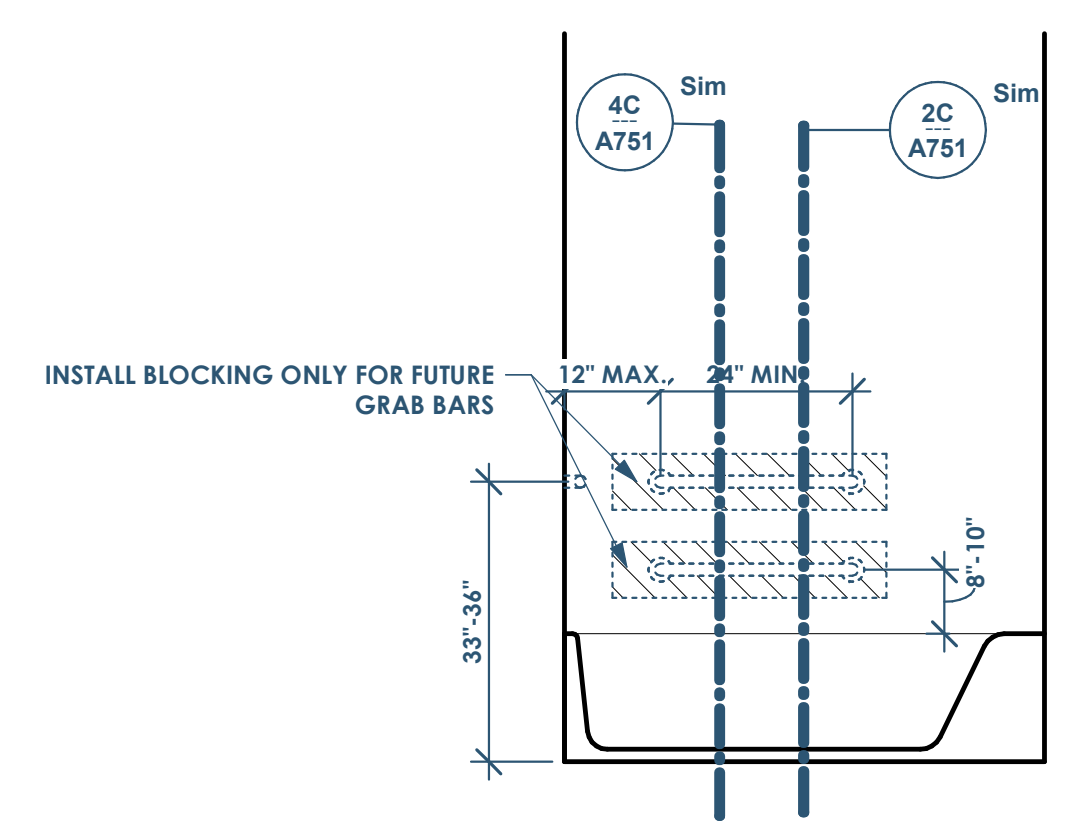
2D A751 ADA - TYPE A - WATER CLOSET - FRONT  
1/2" = 1'-0"



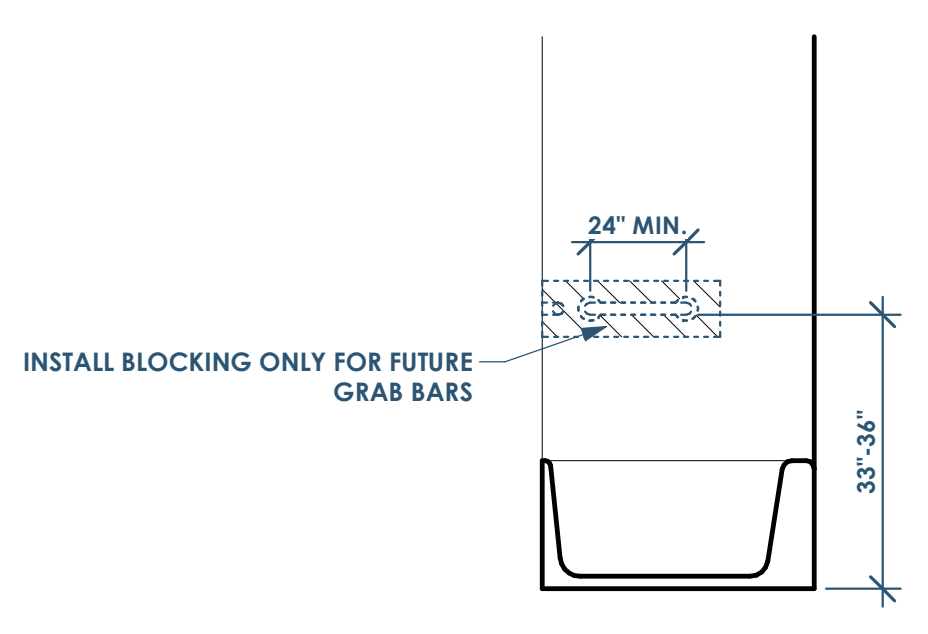
4C A751 ADA - TYPE A - LAVATORY - PLAN  
1/2" = 1'-0"



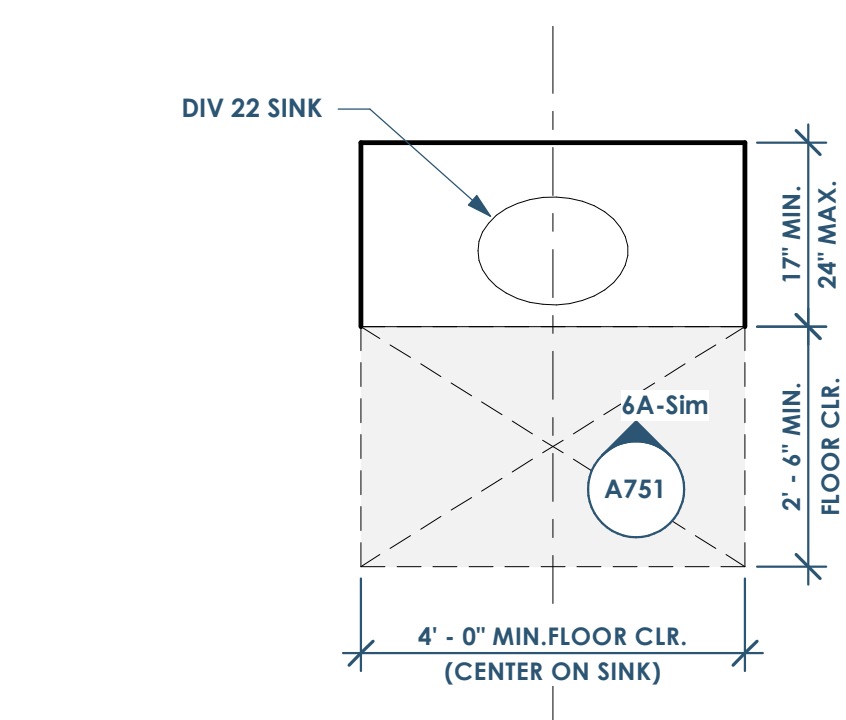
4C A751 ADA - TYPE A & B - BATH - CONTROLS SIDE  
1/2" = 1'-0"



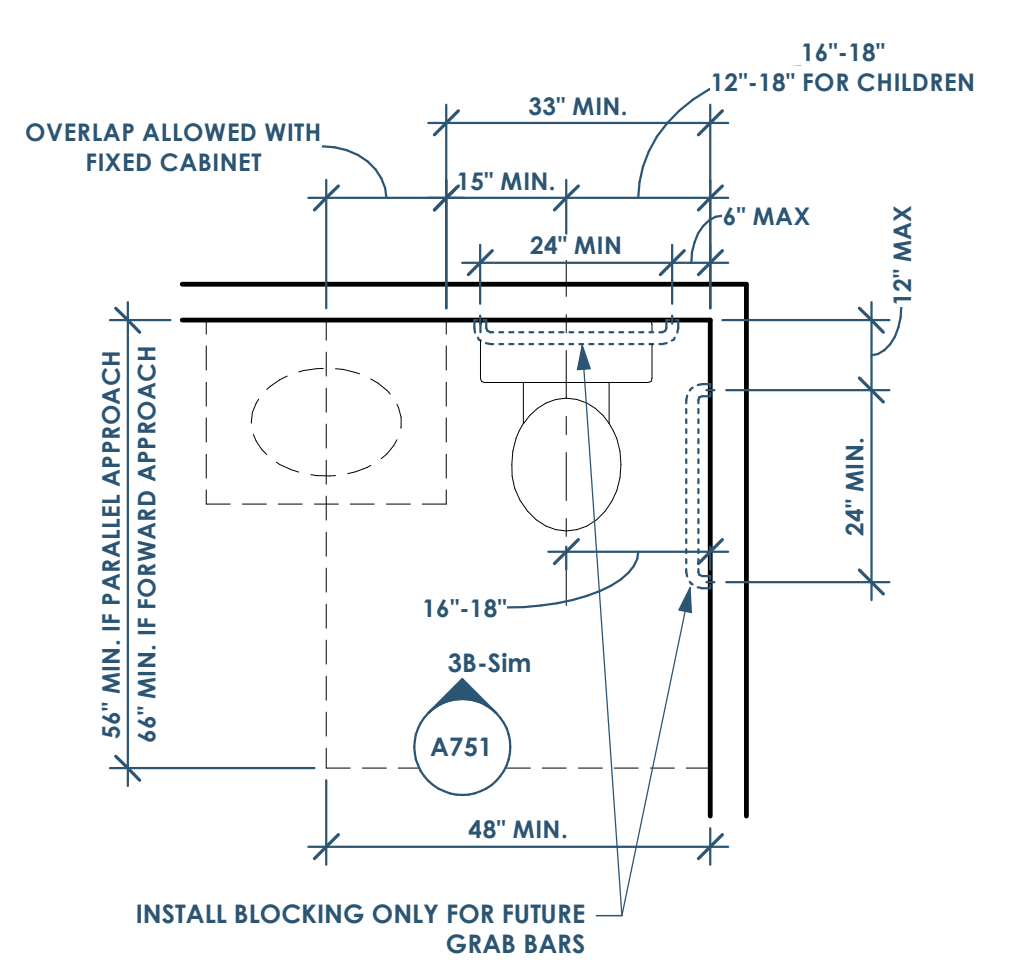
3C A751 ADA - TYPE A & B - BATH - FRONT  
1/2" = 1'-0"



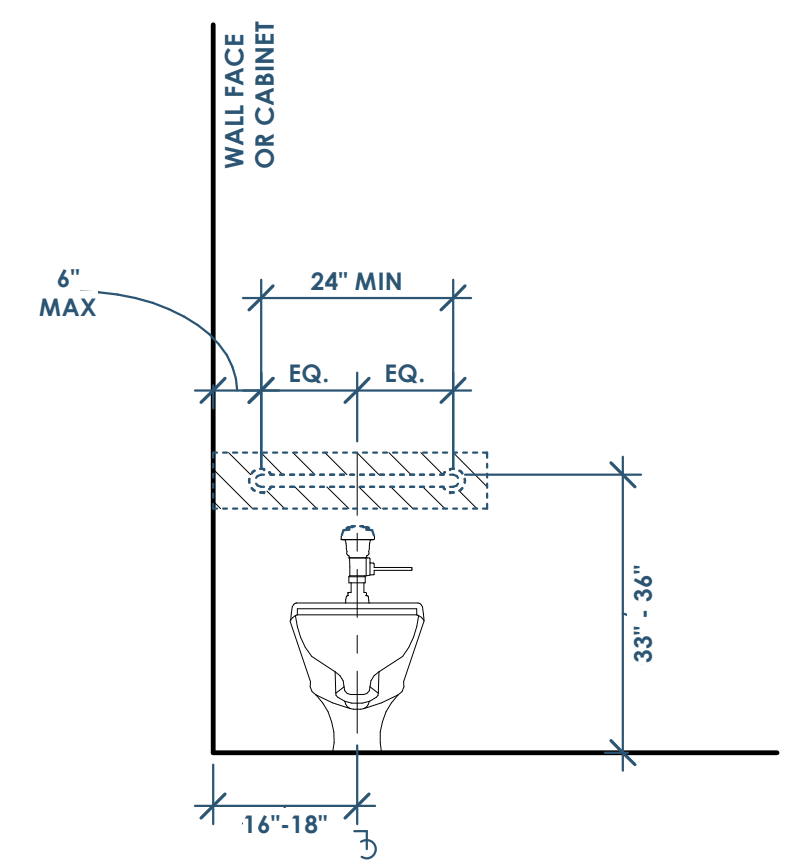
2C A751 ADA - TYPE A & B - BATH - NON-CONTROL SIDE  
1/2" = 1'-0"



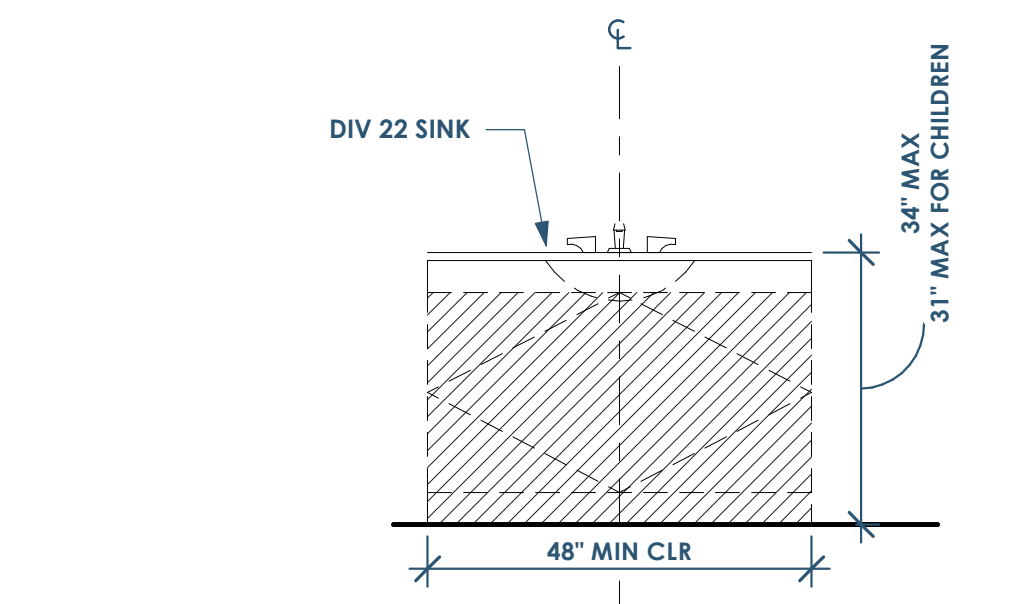
4B A751 ADA - TYPE B - LAVATORY - PLAN  
1/2" = 1'-0"



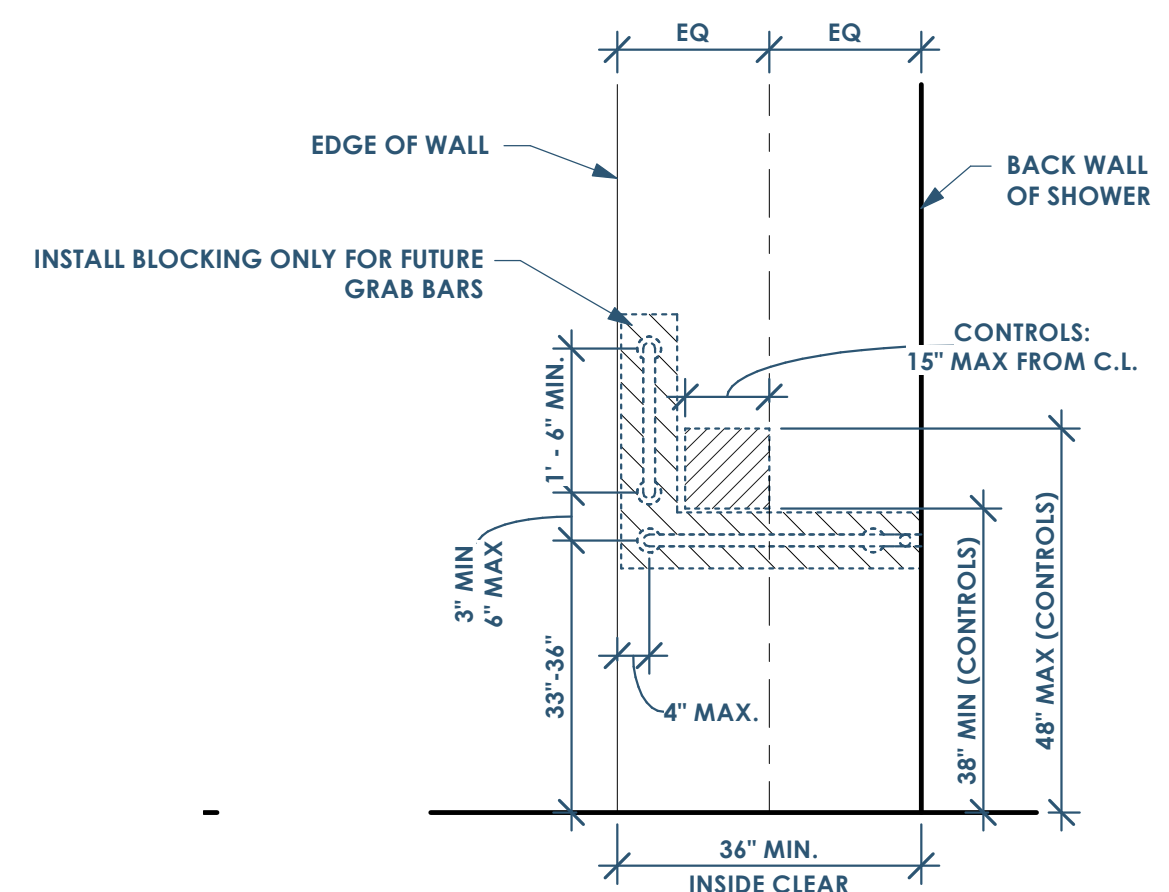
5B A751 ADA - TYPE B - WATER CLOSET - FLOOR PLAN  
1/2" = 1'-0"



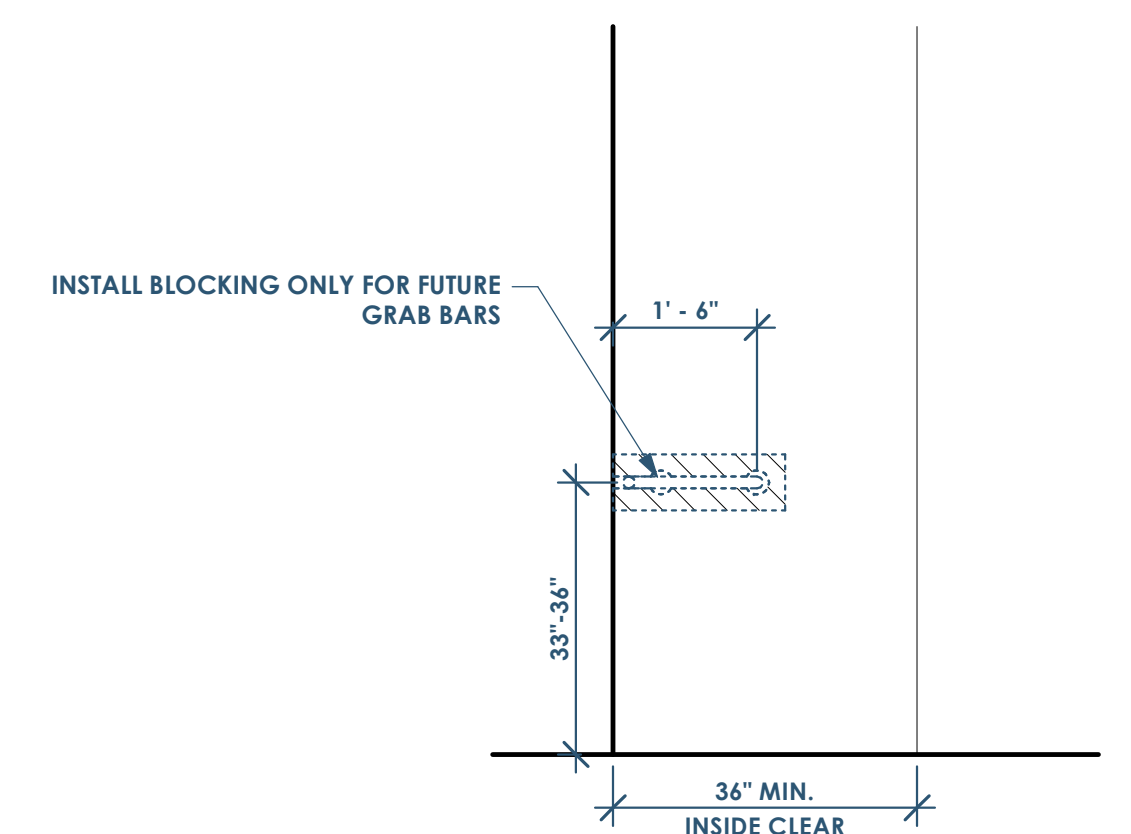
3B A751 ADA - TYPE B - WATER CLOSET - FRONT  
1/2" = 1'-0"



4A A751 ADA - TYPE B - LAVATORY - FRONT  
1/2" = 1'-0"



4A A751 ADA - TYPE A & B - SHOWER - SIDE  
1/2" = 1'-0"



3A A751 ADA - TYPE A & B - SHOWER - BACK  
1/2" = 1'-0"

GENERAL NOTES:  
 • NOTE: PER IBC1210.2.2 WALLS AND PARTITIONS WITHIN 2 FEET (610MM) OF SERVICE SINKS, URINALS AND WATER CLOSETS SHALL HAVE A SMOOTH, HARD, NONABSORBENT SURFACE, TO A HEIGHT OF NOT LESS THAN 4 FEET (1219 MM) ABOVE THE FLOOR, AND EXCEPT FOR STRUCTURAL ELEMENTS, THE MATERIAL USED IN SUCH WALLS SHALL BE OF A TYPE THAT IS NOT ADVERSELY AFFECTED BY MOISTURE  
 • THESE ADA CLEARANCES AND GRAB BAR BLOCKING ARE ONLY REQUIRED FOR THE 1ST FLOOR UNITS

This project, like most OpeningDesign's projects, is open source (Attribution-ShareAlike 4.0 International-CC BY-SA 4.0)—freely available to any party for future use, assuming the terms such as Attribution and ShareAlike are honored.

**RENOVATION**  
*Wranglers*  
 Owner: Renovation Wranglers  
 102 E 26th St  
 Bryan, TX 77803  
 Katerencason@time.com | 979.450.9969

**ARCHITECTURE**  
 Architect of Record: LKB Architecture  
 2929 Allen Pkwy Suite 200  
 Houston, TX 77019  
 isa@lkbarchitecture.com | 713.425.3076

**DUDDLEY**  
 Structural: Dudley  
 4102 Imperial Loop Drive  
 College Station, TX 77845  
 (979) 777-0720

**amc**  
 ENGINEERS  
 MEP: AMC Engineers  
 508 E Jackson St # 552  
 Burnet, TX 78611  
 info@amcengineers.com

**openingdesign**  
 Architect: OpeningDesign  
 17 S Fairchild | FL 7  
 Madison, WI 53703  
 ryan@openingdesign.com | 773.425.6456

Date	Description
06/10/2022	Issued for Permit