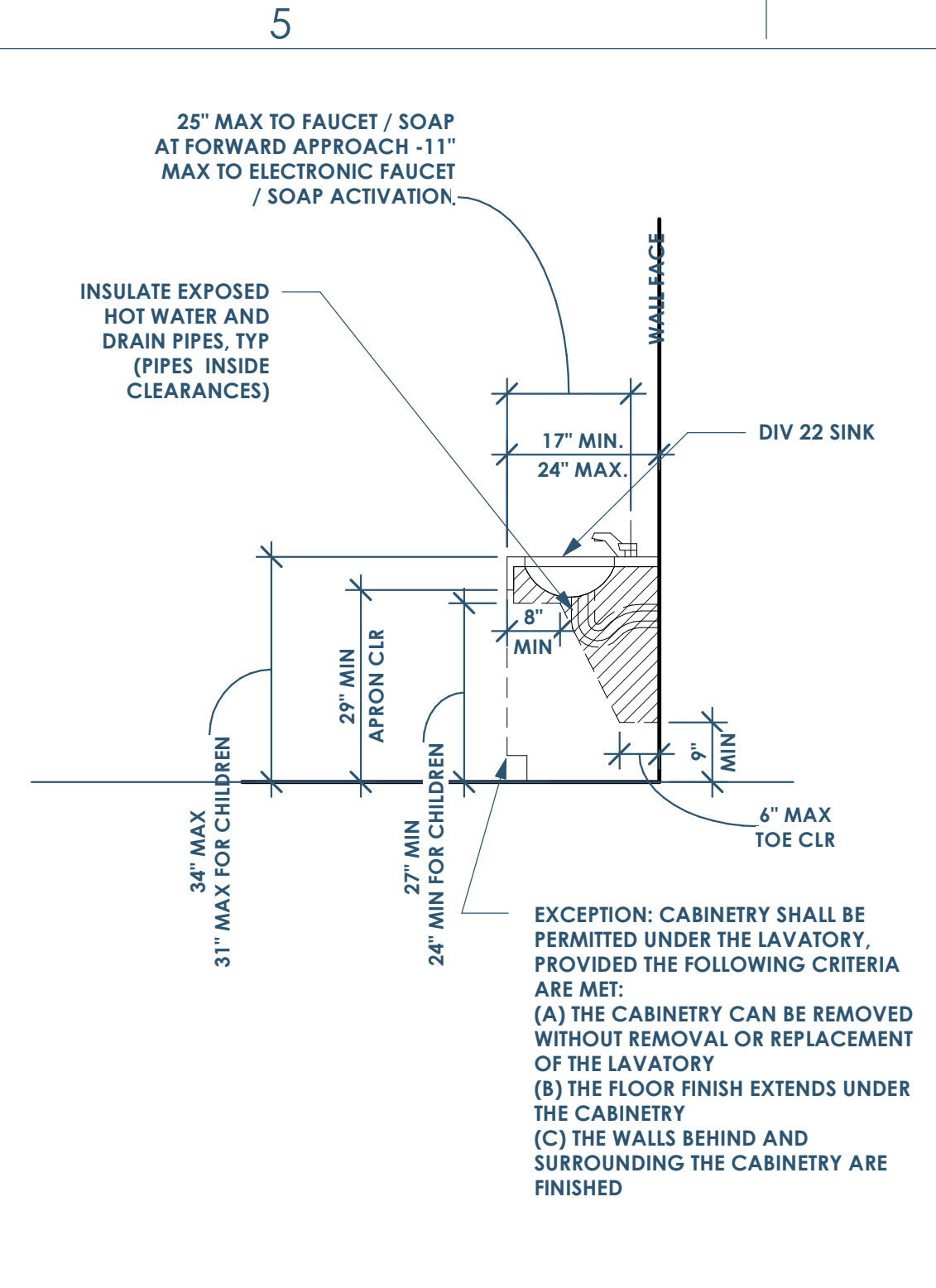
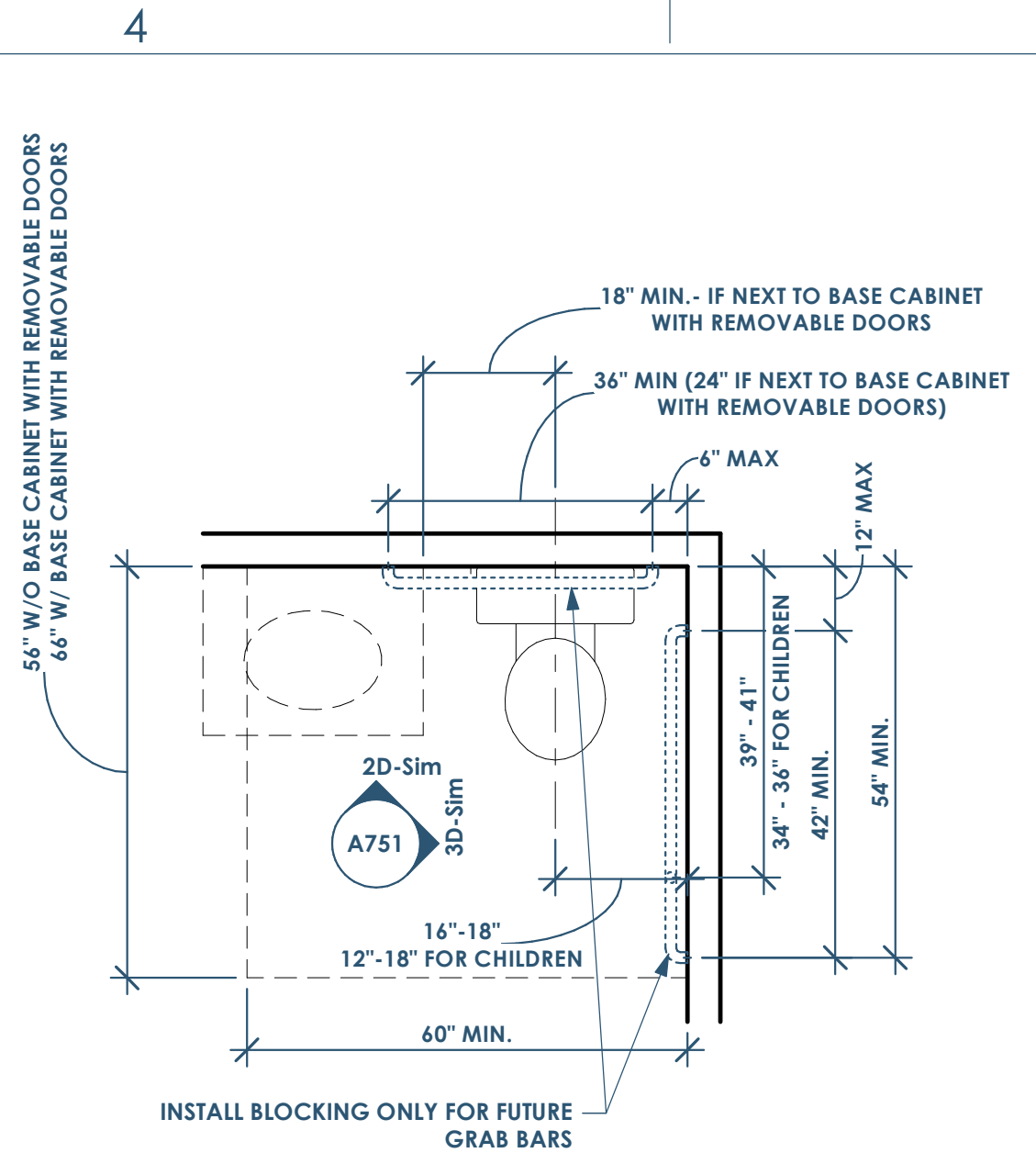


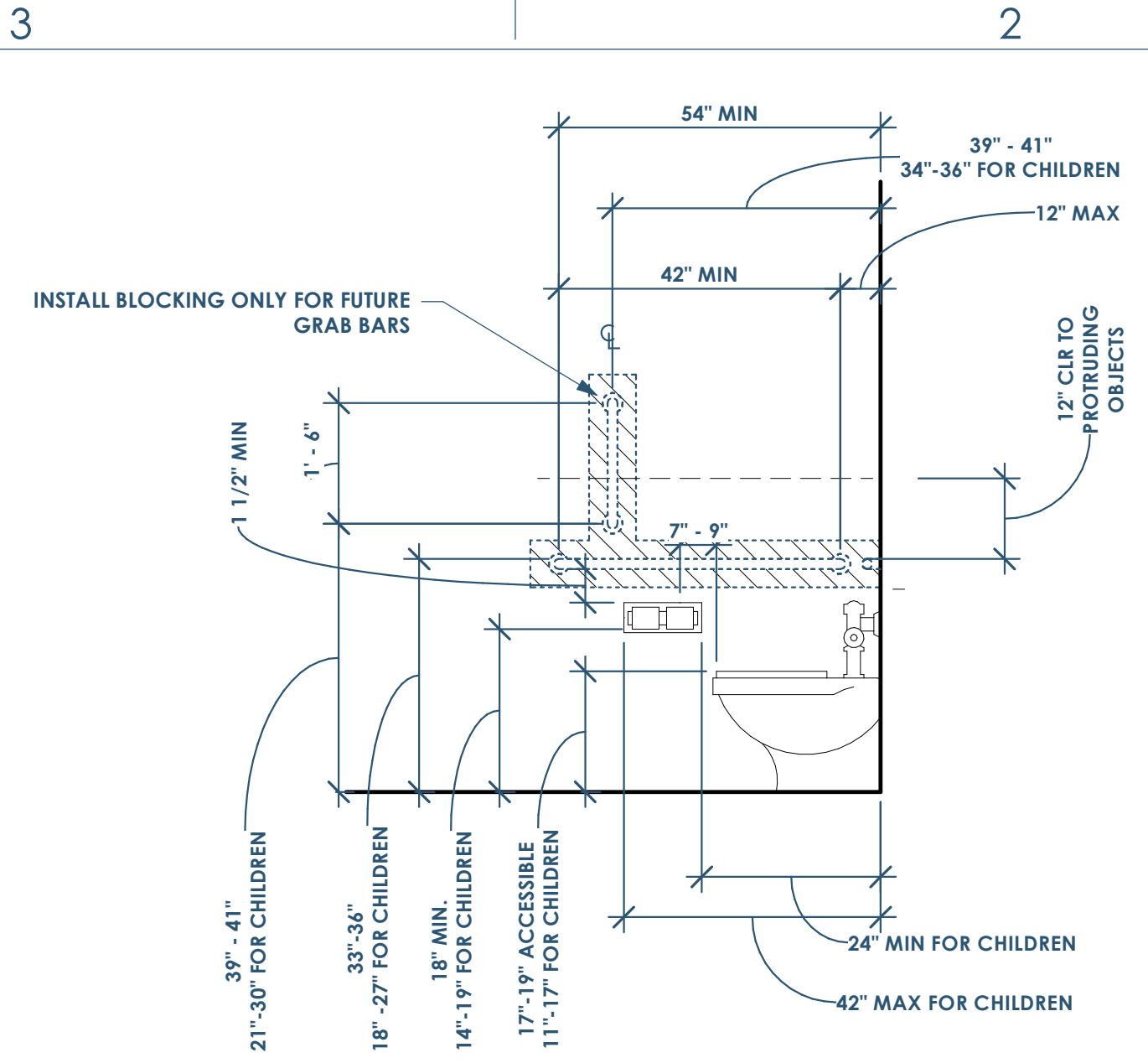
6D A751 ADA - TYPE A - LAVATORY - FRONT (OR TYPE B FRONT APPROACH)
1/2" = 1'-0"



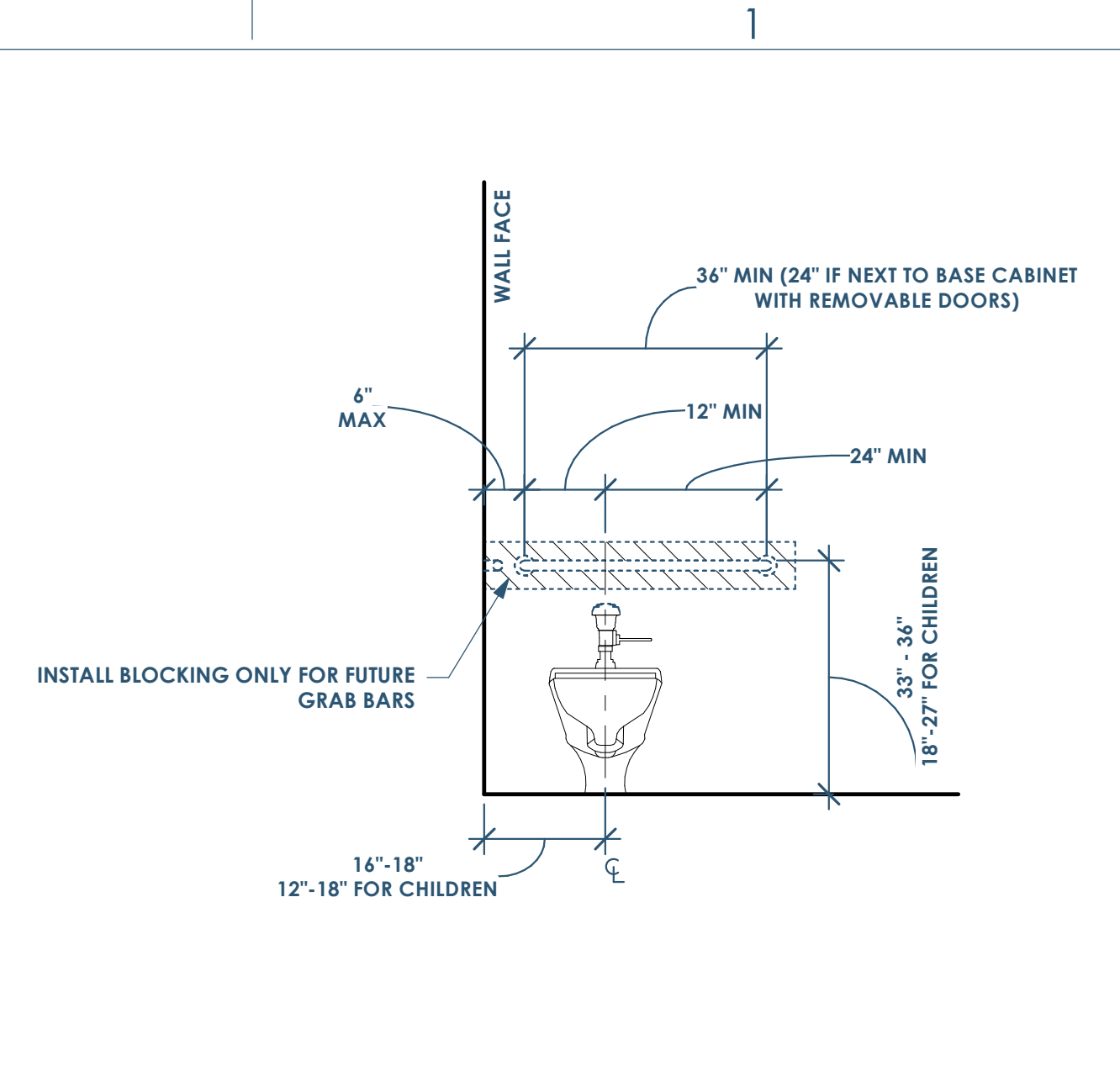
5D A751 ADA - TYPE A - LAVATORY - SIDE (OR TYPE B FRONT APPROACH)
1/2" = 1'-0"



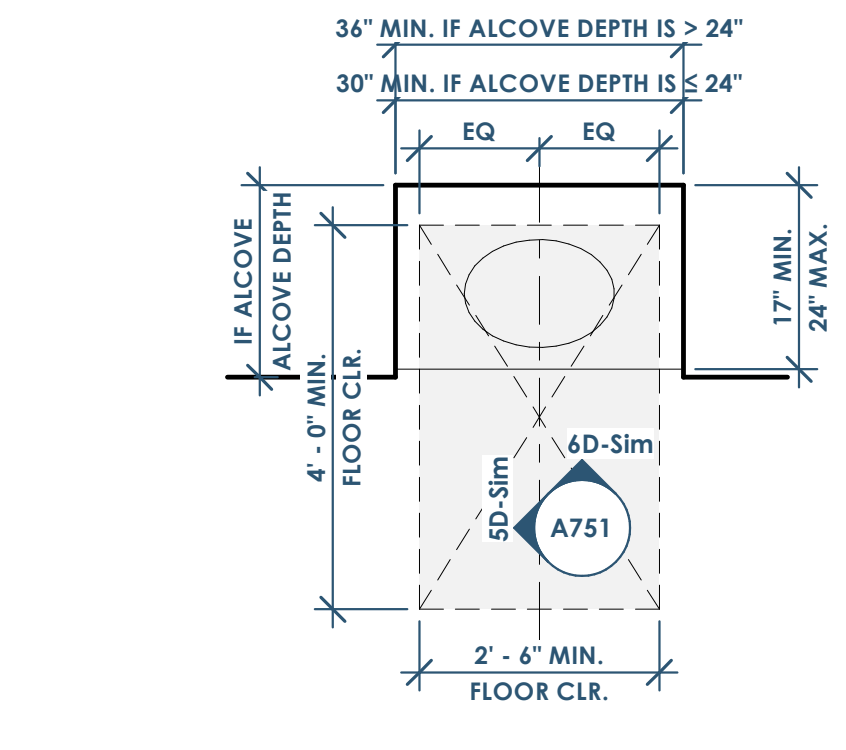
4D A751 ADA - TYPE A - WATER CLOSET - FLOOR PLAN (OR TYPE B FRONT APPROACH)
1/2" = 1'-0"



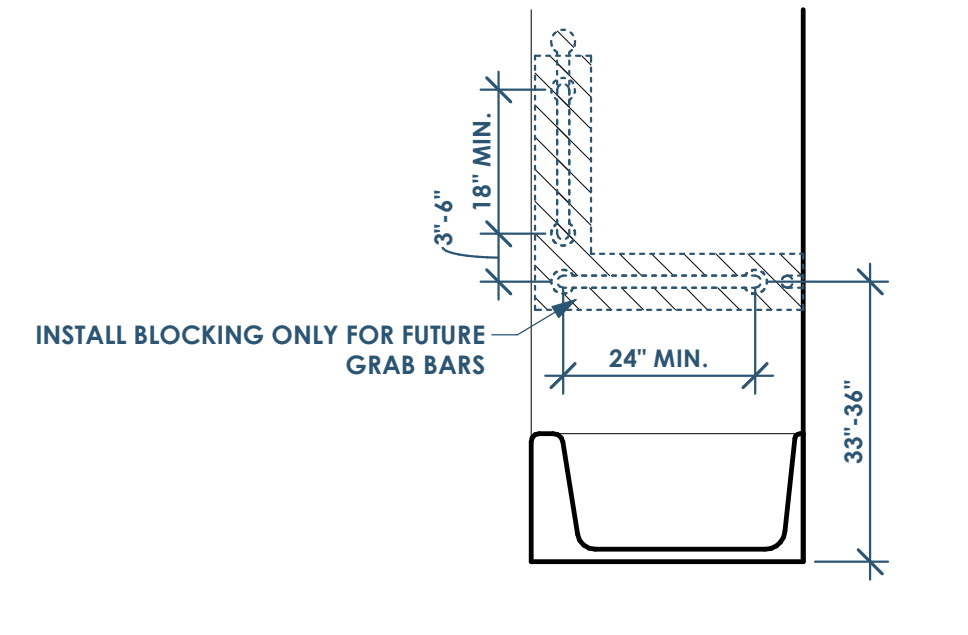
3D A751 ADA - TYPE A - WATER CLOSET - SIDE
1/2" = 1'-0"



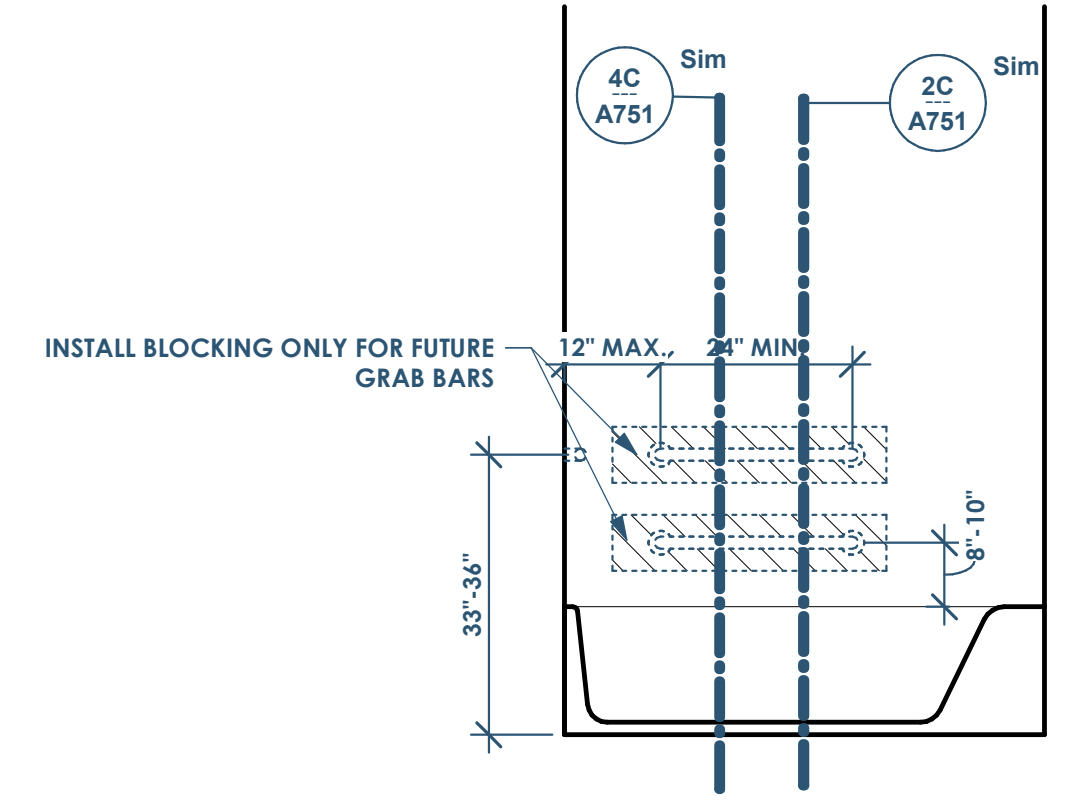
2D A751 ADA - TYPE A - WATER CLOSET - FRONT
1/2" = 1'-0"



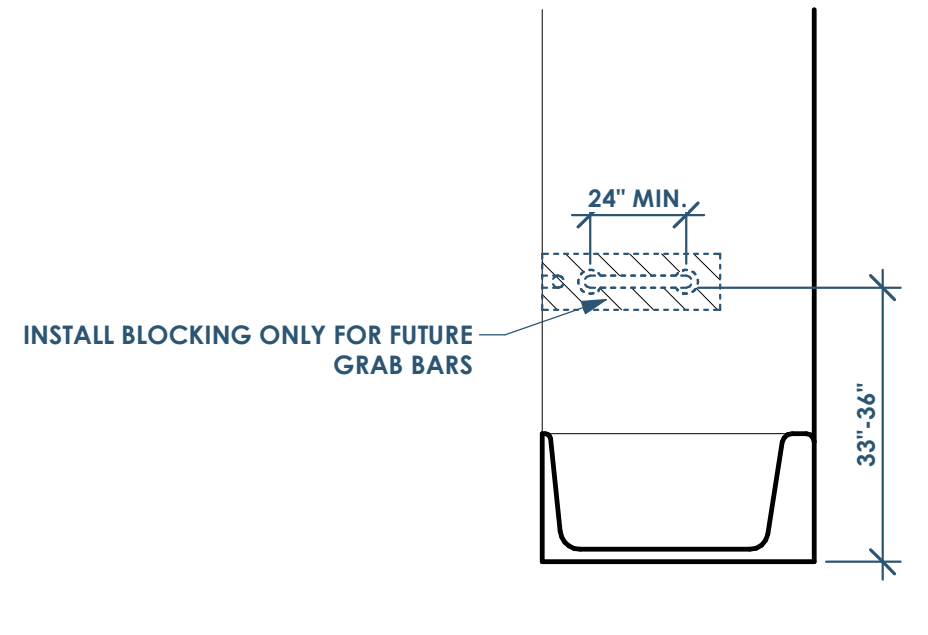
4C A751 ADA - TYPE A - LAVATORY - PLAN
1/2" = 1'-0"



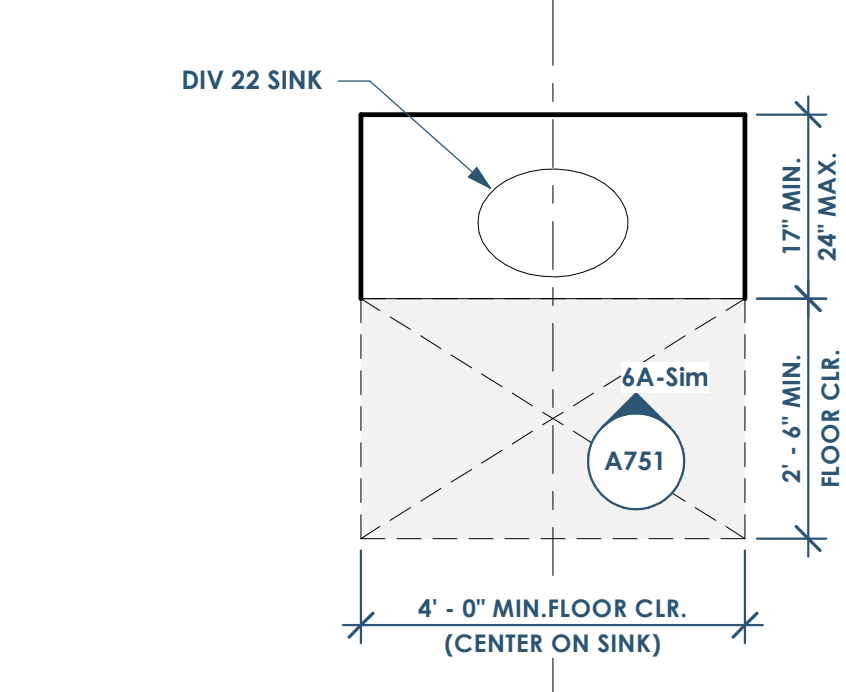
4C A751 ADA - TYPE A & B - BATH - CONTROLS SIDE
1/2" = 1'-0"



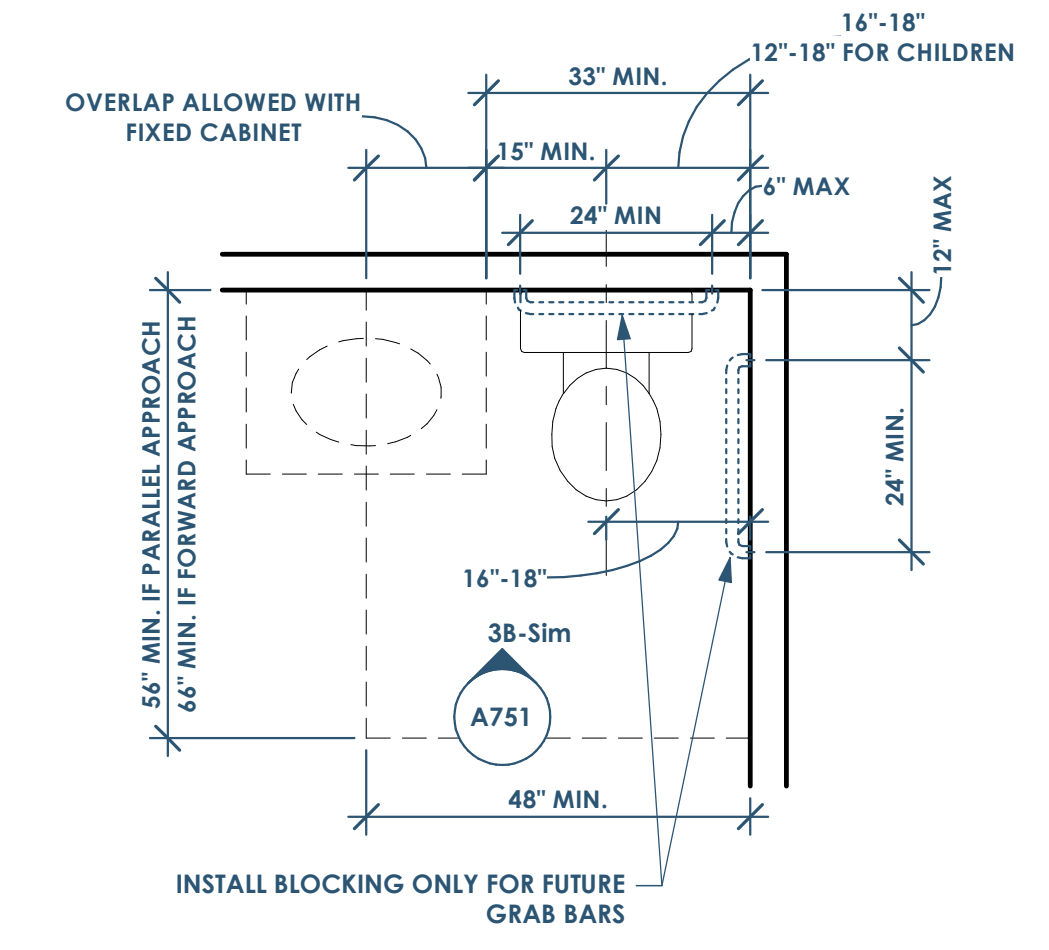
3C A751 ADA - TYPE A & B - BATH - FRONT
1/2" = 1'-0"



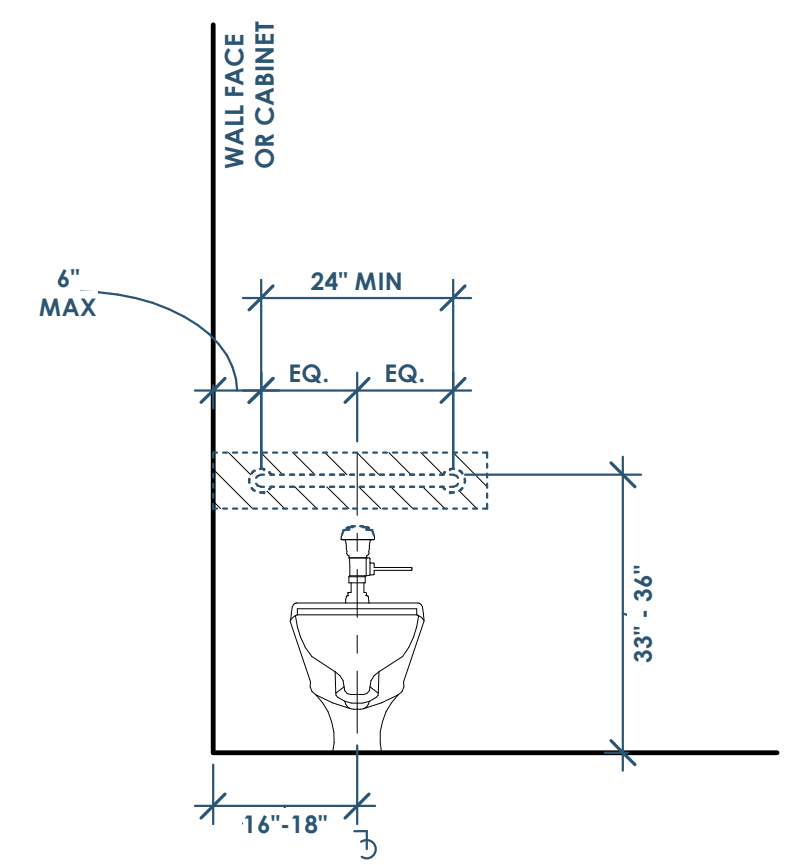
2C A751 ADA - TYPE A & B - BATH - NON-CONTROL SIDE
1/2" = 1'-0"



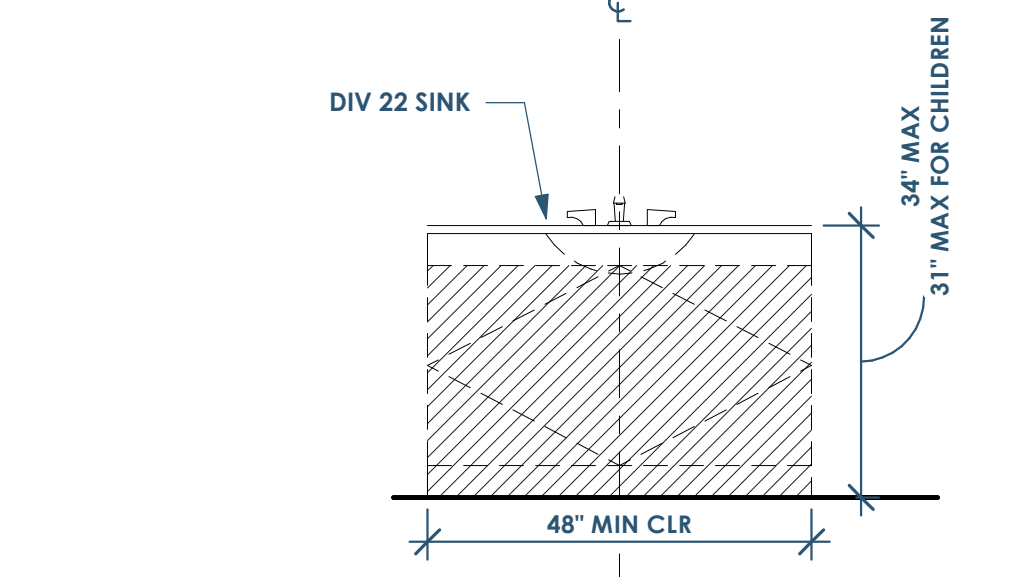
4B A751 ADA - TYPE B - LAVATORY - PLAN
1/2" = 1'-0"



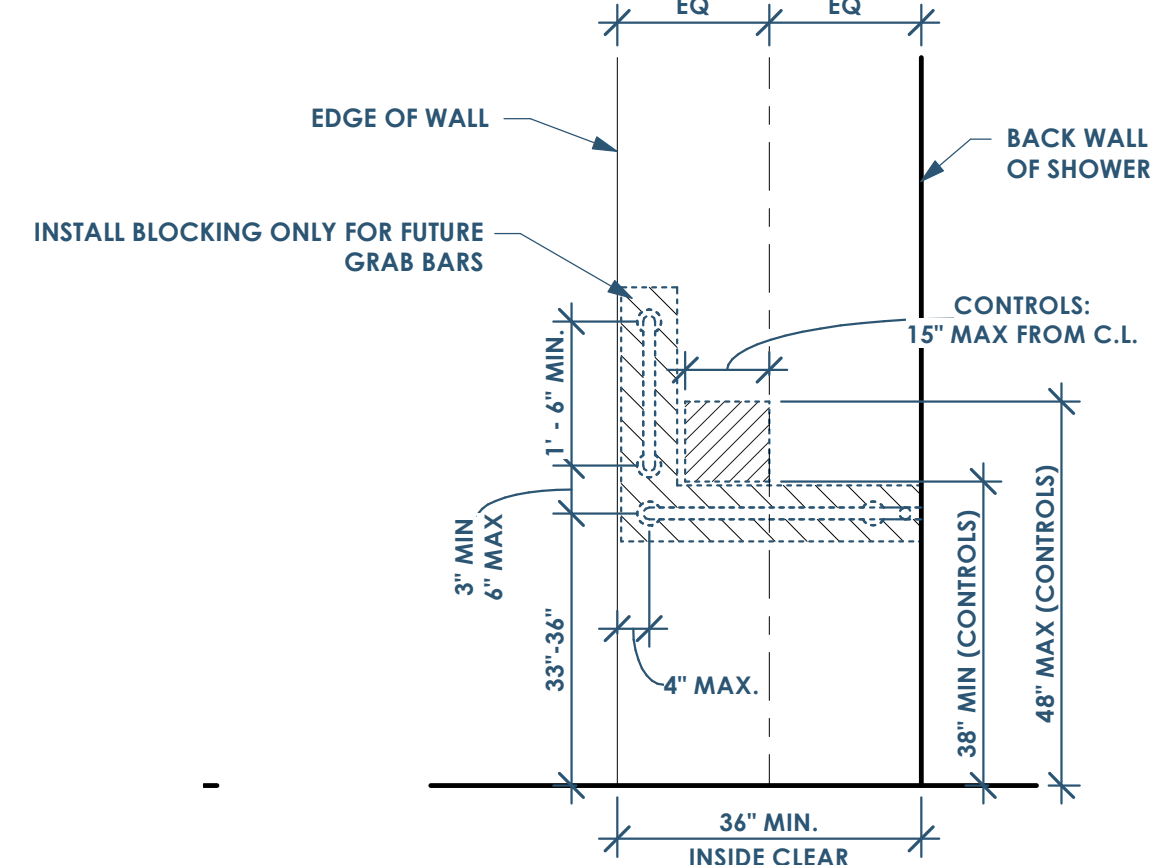
5B A751 ADA - TYPE B - WATER CLOSET - FLOOR PLAN
1/2" = 1'-0"



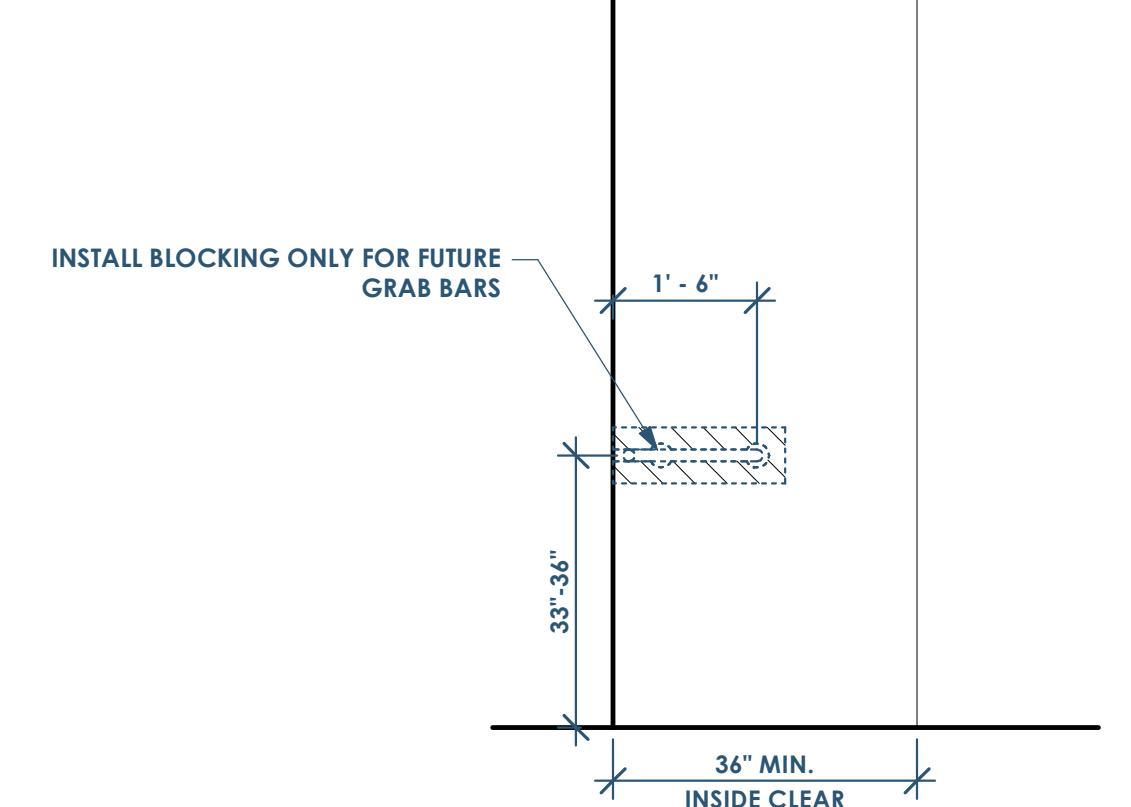
3B A751 ADA - TYPE B - WATER CLOSET - FRONT
1/2" = 1'-0"



4A A751 ADA - TYPE B - LAVATORY - FRONT
1/2" = 1'-0"



4A A751 ADA - TYPE A & B - SHOWER - SIDE
1/2" = 1'-0"



3A A751 ADA - TYPE A & B - SHOWER - BACK
1/2" = 1'-0"

GENERAL NOTES:
 • NOTE: PER IBC1210.2.2 WALLS AND PARTITIONS WITHIN 2 FEET (610MM) OF SERVICE SINKS, URINALS AND WATER CLOSETS SHALL HAVE A SMOOTH, HARD, NONABSORBENT SURFACE, TO A HEIGHT OF NOT LESS THAN 4 FEET (1219 MM) ABOVE THE FLOOR, AND EXCEPT FOR STRUCTURAL ELEMENTS, THE MATERIAL USED IN SUCH WALLS SHALL BE OF A TYPE THAT IS NOT ADVERSELY AFFECTED BY MOISTURE
 • THESE ADA CLEARANCES AND GRAB BAR BLOCKING ARE ONLY REQUIRED FOR THE 1ST FLOOR UNITS

This project, like most OpeningDesign's projects, is open source (Attribution-ShareAlike 4.0 International-CC BY-SA 4.0)—freely available to any party for future use, assuming the terms such as Attribution and ShareAlike are honored.

RENOVATION
Wranglers
 Owner: Renovation Wranglers
 102 E 26th St
 Bryan, TX 77803
 Katerencason@time.com | 979.450.9969

ARCHITECTURE
 Architect of Record: LKB Architecture
 2929 Allen Pkwy Suite 200
 Houston, TX 77019
 isa@lkbarchitecture.com | 713.425.3076

DUDDLEY
 Structural: Dudley
 4102 Imperial Loop Drive
 College Station, TX 77845
 (979) 777-0720

amc
 ENGINEERS
 MEP: AMC Engineers
 508 E Jackson St # 552
 Burnet, TX 78611
 info@amcengineers.com

openingdesign
 Architect: OpeningDesign
 17 S Fairchild | FL 7
 Madison, WI 53703
 ryan@openingdesign.com | 773.425.6456

Date	Description
06/02/2022	Review before Permit