

5/26/22, 11:33 AM iqluprospector.com_en/profile_XHEZ.F-C-3012 - Through-penetration Firestop Systems | UL Product IQ

UL Product IQ®

XHEZ.F-C-3012 - Through-penetration Firestop Systems

Design/System/Construction/Assembly Usage Disclaimer

- Authorities Having Jurisdiction should be consulted in all cases as to the particular requirements covering the installation and use of UL Certified products, equipment, system, devices, and materials.
- Authorities Having Jurisdiction should be consulted before construction.
- Fire resistance assemblies and products are developed by the design submitter and have been investigated by UL for compliance with applicable requirements. The published information cannot address every construction nuance encountered in the field.
- When field issues arise, it is recommended the first contact for assistance be the technical service staff provided by the product manufacturer noted for the design. Users of fire resistance assemblies are advised to consult the general Guide Information for each product category and each group of assemblies. The Guide Information includes specifics concerning alternate materials and alternate methods of construction.
- Only products which bear UL's Mark are considered Certified.

XHEZ - Through-penetration Firestop Systems

XHEZ7 - Through-penetration Firestop Systems Certified for Canada

See General Information for Through-penetration Firestop Systems

See General Information for Through-penetration Firestop Systems Certified for Canada

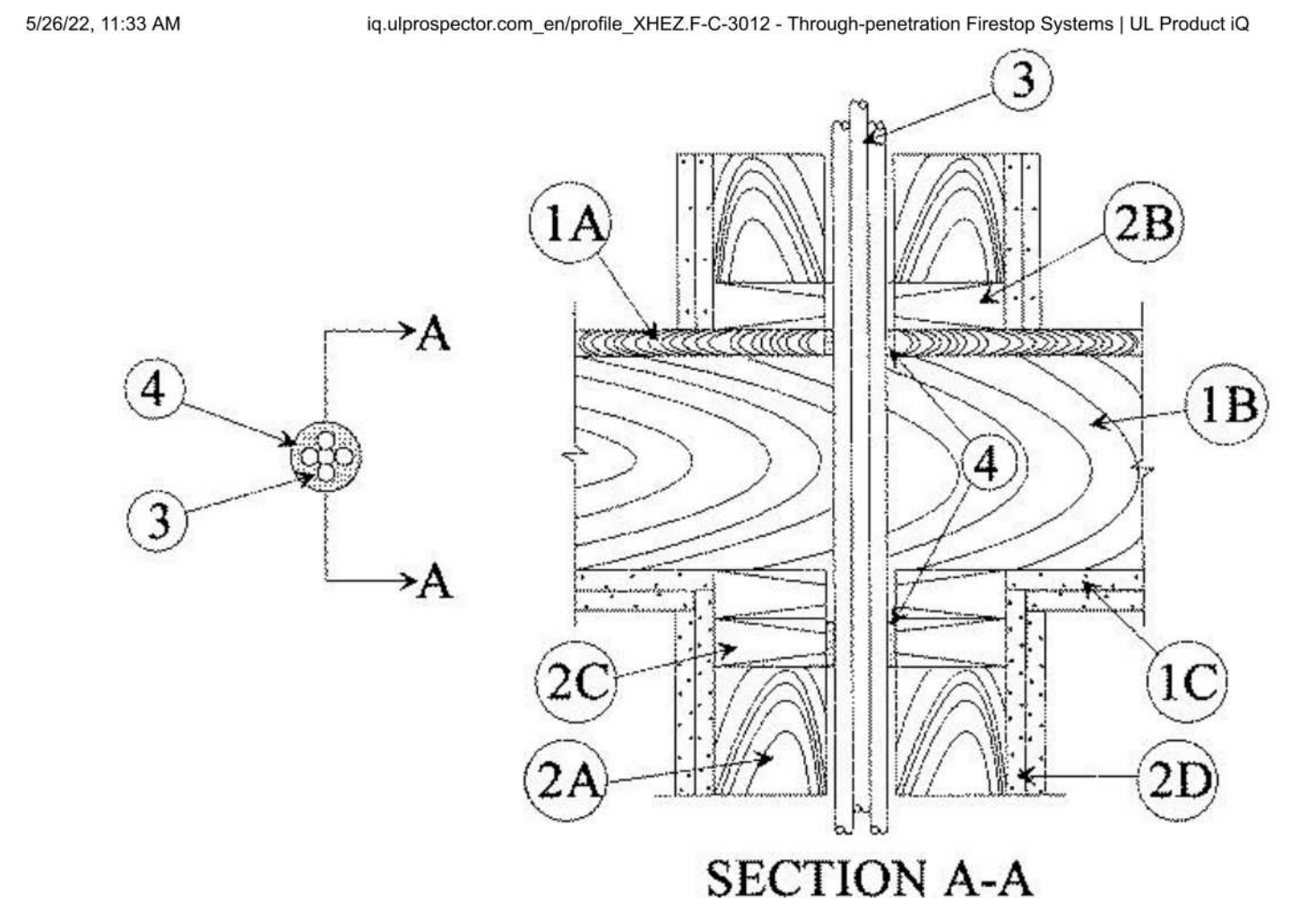
System No. F-C-3012

April 06, 2018

ANSI/UL1479 (ASTM E814)	CAN/ULC S115
F Ratings — 1 and 2 Hr (See Item 1)	F Ratings — 1 and 2 Hr (See Item 1)
T Ratings — 0, 1 and 1-3/4 Hr (See Item 3)	FT Ratings — 0, 1 and 1-3/4 Hr (See Item 3)
	FH Ratings — 1 and 2 Hr (See Item 1)
	FTH Ratings — 0, 1 and 1-3/4 Hr (See Item 3)

https://iqluprospector.com/en/profile?e=175270

1/3

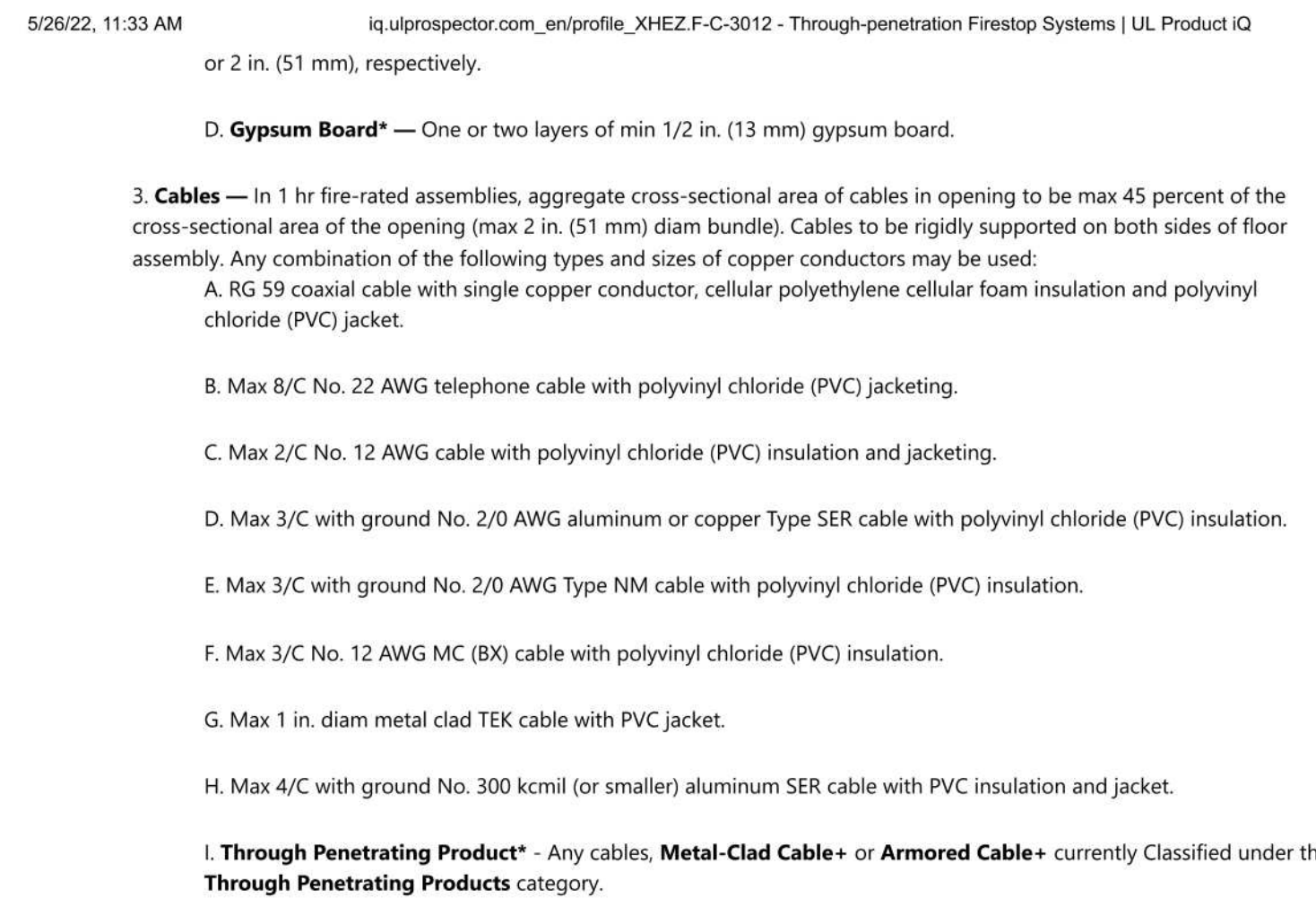


SECTION A-A

- Floor-Ceiling Assembly** — The 1 or 2 hr fire-rated solid or trussed lumber joist floor-ceiling assembly shall be constructed of the materials and in the manner specified in the individual L500 Series Floor-Ceiling Designs in the UL Fire Resistance Directory. The general construction features of the floor-ceiling assembly are summarized below:
 - Flooring System** — Lumber or plywood subfloor with finish floor of lumber, plywood or **Floor Topping Mixture*** as specified in the individual Floor-Ceiling Design. Max diam of opening for 1 or 2 hr assembly is 2-1/2 in. (64 mm) or 2 in. (51 mm), respectively.
 - Wood Joists*** — Nom 10 in. (254 mm) deep (or deeper) lumber, steel or combination lumber and steel joists, trusses or **Structural Wood Members*** with bridging as required and with ends firestopped.
 - Furring Channels** — (Not Shown) — (As required) — Resilient galvanized steel furring installed in accordance with the manner specified in the individual L500 Series Designs in the Fire Resistance Directory.
 - Gypsum Board*** — Thickness, type, number of layers and fasteners shall be as specified in the individual Floor-Ceiling Design. Max diam of opening for 1 or 2 hr assembly is 2-1/2 in. (64 mm) or 2 in. (51 mm), respectively.
- The F Rating of the firestop system is equal to the rating of the floor-ceiling assembly.
- Chase Wall** — (Optional, Not Shown) — The through penetrant (Item 3) may be routed through a fire-rated or non-rated single, double or staggered wood stud/gypsum wallboard chase wall. The chase wall shall be constructed to include the following construction features:
 - Studs** — Nom 2 by 6 in. (51 by 152 mm) or double nom 2 by 4 in. (51 by 102 mm) lumber studs.
 - Sole Plate** — Nom 2 by 6 in. (51 by 152 mm) or parallel 2 by 4 in. (51 by 102 mm) lumber plates, tightly butted. Max diam of opening for 1 or 2 hr rated assembly is 2-1/2 in. (64 mm) or 2 in. (51 mm), respectively.
 - Top Plate** — The double top plate shall consist of two nom 2 by 6 in. (51 by 152 mm) or two sets of parallel 2 by 4 in. (51 by 102 mm) lumber plates, tightly butted. Max diam of opening for 1 or 2 hr rated assembly is 2-1/2 in. (64 mm)

https://iqluprospector.com/en/profile?e=175270

2/3



SECTION A-A

- Floor-Ceiling Assembly** — The 1 or 2 hr fire-rated solid or trussed lumber joist floor-ceiling assembly shall be constructed of the materials and in the manner specified in the individual L500 Series Floor-Ceiling Designs in the UL Fire Resistance Directory. The general construction features of the floor-ceiling assembly are summarized below:
 - Flooring System** — Lumber or plywood subfloor with finish floor of lumber, plywood or **Floor Topping Mixture*** as specified in the individual Floor-Ceiling Design. Max diam of opening for 1 or 2 hr assembly is 2-1/2 in. (64 mm) or 2 in. (51 mm), respectively.
 - Wood Joists*** — Nom 10 in. (254 mm) deep (or deeper) lumber, steel or combination lumber and steel joists, trusses or **Structural Wood Members*** with bridging as required and with ends firestopped.
 - Furring Channels** — (Not Shown) — (As required) — Resilient galvanized steel furring installed in accordance with the manner specified in the individual L500 Series Designs in the Fire Resistance Directory.
 - Gypsum Board*** — Thickness, type, number of layers and fasteners shall be as specified in the individual Floor-Ceiling Design. Max diam of opening for 1 or 2 hr assembly is 2-1/2 in. (64 mm) or 2 in. (51 mm), respectively.
- The F Rating of the firestop system is equal to the rating of the floor-ceiling assembly.
- Chase Wall** — (Optional, Not Shown) — The through penetrant (Item 3) may be routed through a fire-rated or non-rated single, double or staggered wood stud/gypsum wallboard chase wall. The chase wall shall be constructed to include the following construction features:
 - Studs** — Nom 2 by 6 in. (51 by 152 mm) or double nom 2 by 4 in. (51 by 102 mm) lumber studs.
 - Sole Plate** — Nom 2 by 6 in. (51 by 152 mm) or parallel 2 by 4 in. (51 by 102 mm) lumber plates, tightly butted. Max diam of opening for 1 or 2 hr rated assembly is 2-1/2 in. (64 mm) or 2 in. (51 mm), respectively.
 - Top Plate** — The double top plate shall consist of two nom 2 by 6 in. (51 by 152 mm) or two sets of parallel 2 by 4 in. (51 by 102 mm) lumber plates, tightly butted. Max diam of opening for 1 or 2 hr rated assembly is 2-1/2 in. (64 mm)

https://iqluprospector.com/en/profile?e=175270

3/3

6A A614 FIRE STOP - FLOOR - FRAMED - ELECTRIC CABLE - F 1HR&2HR - T 1HR&2HR - L NA - HILTI - XHEZ.F-C-3012 12" = 1'-0"

5/26/22, 11:38 AM iqluprospector.com_en/profile_XHEZ.F-C-8009 - Through-penetration Firestop Systems | UL Product IQ

UL Product IQ®

XHEZ.F-C-8009 - Through-penetration Firestop Systems

Design/System/Construction/Assembly Usage Disclaimer

- Authorities Having Jurisdiction should be consulted in all cases as to the particular requirements covering the installation and use of UL Certified products, equipment, system, devices, and materials.
- Authorities Having Jurisdiction should be consulted before construction.
- Fire resistance assemblies and products are developed by the design submitter and have been investigated by UL for compliance with applicable requirements. The published information cannot address every construction nuance encountered in the field.
- When field issues arise, it is recommended the first contact for assistance be the technical service staff provided by the product manufacturer noted for the design. Users of fire resistance assemblies are advised to consult the general Guide Information for each product category and each group of assemblies. The Guide Information includes specifics concerning alternate materials and alternate methods of construction.
- Only products which bear UL's Mark are considered Certified.

XHEZ - Through-penetration Firestop Systems

XHEZ7 - Through-penetration Firestop Systems Certified for Canada

See General Information for Through-penetration Firestop Systems

See General Information for Through-penetration Firestop Systems Certified for Canada

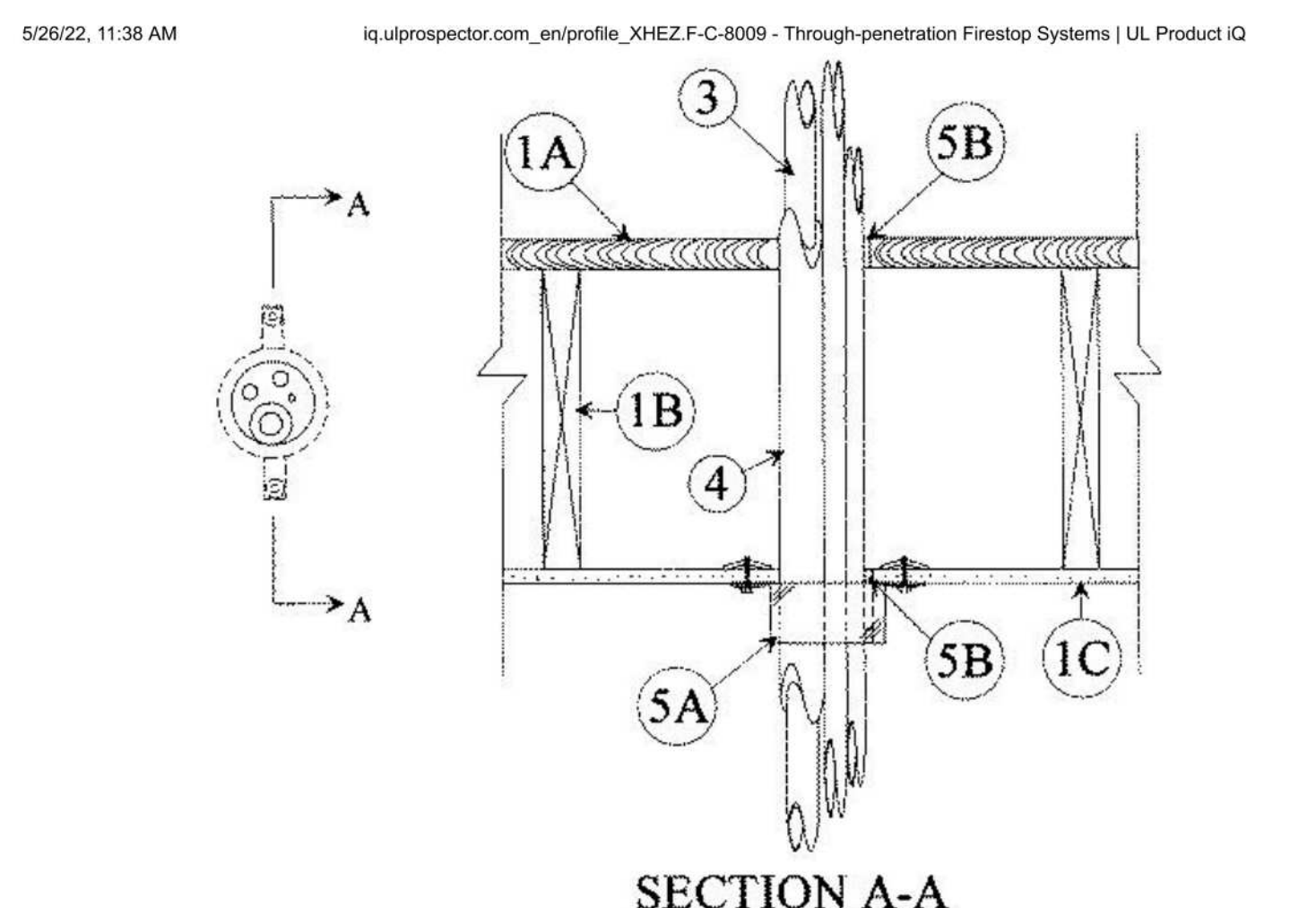
System No. F-C-8009

January 21, 2015

ANSI/UL1479 (ASTM E814)	CAN/ULC S115
F Rating — 1 Hr	F Rating — 1 Hr
T Rating — 1 Hr	FT Rating — 1 Hr
	FH Rating — 1 Hr
	FTH Rating — 1 Hr

https://iqluprospector.com/en/profile?e=175371

1/3

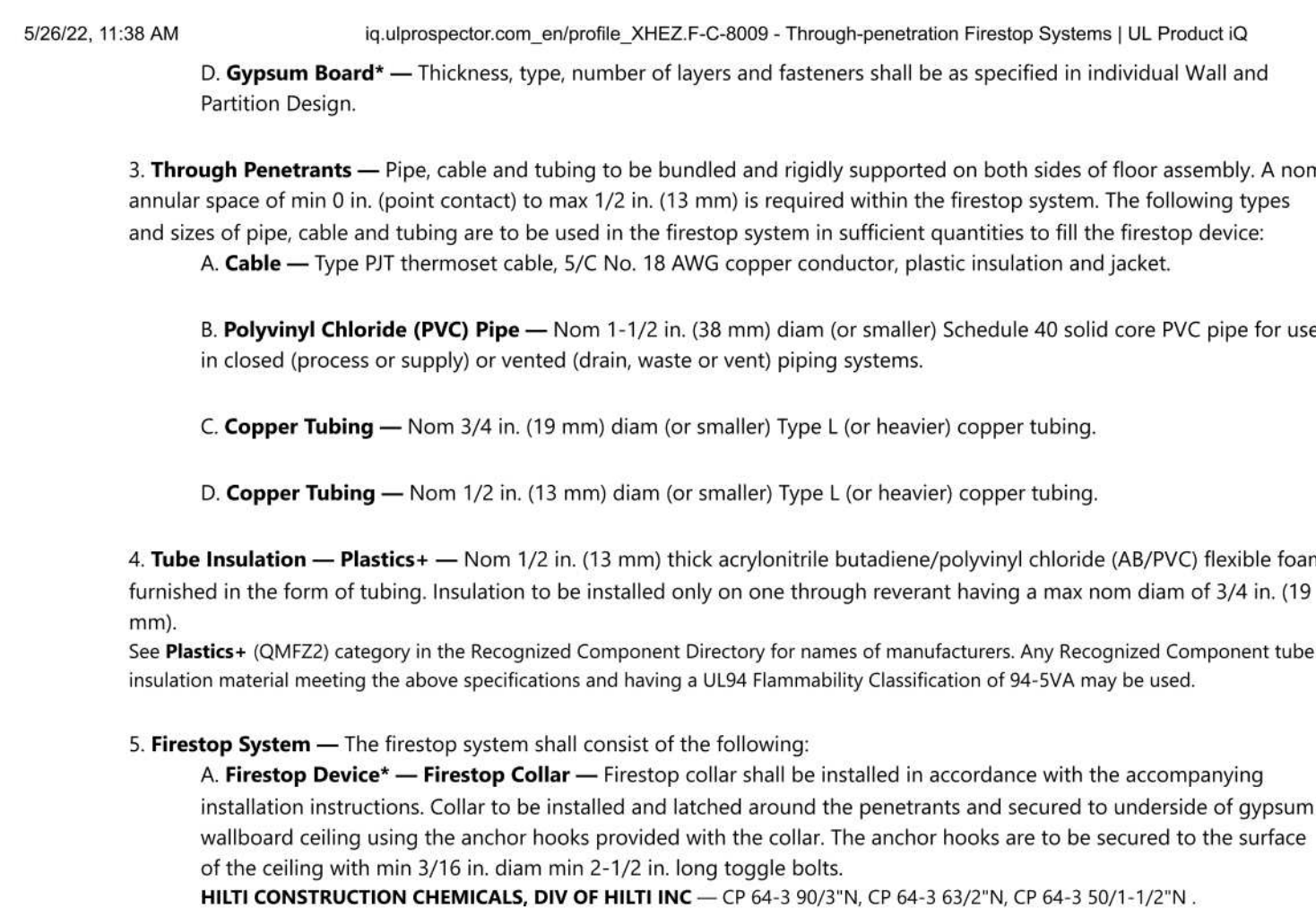


SECTION A-A

- System tested with a pressure differential of 2.5 Pa between the exposed and the unexposed surfaces with the higher pressure on the exposed side.**
- Floor-Ceiling Assembly** — The 1 hr fire-rated wood joist floor-ceiling assembly shall be constructed of the materials and in the manner specified in the individual L500 Series Floor-Ceiling Designs in the UL Fire Resistance Directory, as summarized below:
 - Flooring System** — Lumber or plywood subfloor with finish floor of lumber, plywood or **Floor Topping Mixture*** as specified in the individual Floor-Ceiling Design. Max diam of opening is 3 in. (76 mm).
 - Wood Joists*** — Nom 10 in. (254 mm) deep (or deeper) lumber, steel or combination lumber and steel joists, trusses or **Structural Wood Members*** with bridging as required and with ends firestopped.
 - Gypsum Board*** — Thickness, type, number of layers and fasteners shall be as specified in the individual Floor-Ceiling Design. Max diam of opening in ceiling (when chase wall (Item 2) is not provided) is 3 in. (76 mm).
 - Chase Wall** — (Optional, Not Shown) — The through penetrant (Item 3) may be routed through a 1 hr fire-rated single, double or staggered wood stud/gypsum wallboard chase wall constructed of the materials and in the manner specified in the individual U300 Series Wall and Partition Designs in the UL Fire Resistance Directory and shall include the following construction features:
 - Studs** — Nom 2 by 6 in. (51 by 152 mm) lumber or double nom 2 by 4 in. (51 by 102 mm) lumber studs.
 - Sole Plate** — Nom 2 by 6 in. (51 by 152 mm) lumber or parallel 2 by 4 in. (51 by 102 mm) lumber plates, tightly butted. Max diam of opening shall be 3 in. (76 mm).
 - Top Plate** — The double top plate shall consist of two nom 2 by 6 in. (51 by 152 mm) lumber plates or 2 sets of parallel nom 2 by 4 in. (51 by 102 mm) lumber, tightly butted. Max diam of opening is 3 in. (76 mm).

https://iqluprospector.com/en/profile?e=175371

2/3



SECTION A-A

- Floor-Ceiling Assembly** — The 1 hr fire-rated wood joist floor-ceiling assembly shall be constructed of the materials and in the manner specified in the individual L500 Series Floor-Ceiling Designs in the UL Fire Resistance Directory, as summarized below:
 - Flooring System** — Lumber or plywood subfloor with finish floor of lumber, plywood or **Floor Topping Mixture*** as specified in the individual Floor-Ceiling Design. Max diam of opening is 3 in. (76 mm).
 - Wood Joists*** — Nom 10 in. (254 mm) deep (or deeper) lumber, steel or combination lumber and steel joists, trusses or **Structural Wood Members*** with bridging as required and with ends firestopped.
 - Gypsum Board*** — Thickness, type, number of layers and fasteners shall be as specified in the individual Floor-Ceiling Design. Max diam of opening in ceiling (when chase wall (Item 2) is not provided) is 3 in. (76 mm).
- Chase Wall** — (Optional, Not Shown) — The through penetrant (Item 3) may be routed through a 1 hr fire-rated single, double or staggered wood stud/gypsum wallboard chase wall constructed of the materials and in the manner specified in the individual U300 Series Wall and Partition Designs in the UL Fire Resistance Directory and shall include the following construction features:
 - Studs** — Nom 2 by 6 in. (51 by 152 mm) lumber or double nom 2 by 4 in. (51 by 102 mm) lumber studs.
 - Sole Plate** — Nom 2 by 6 in. (51 by 152 mm) lumber or parallel 2 by 4 in. (51 by 102 mm) lumber plates, tightly butted. Max diam of opening shall be 3 in. (76 mm).
 - Top Plate** — The double top plate shall consist of two nom 2 by 6 in. (51 by 152 mm) lumber plates or 2 sets of parallel nom 2 by 4 in. (51 by 102 mm) lumber, tightly butted. Max diam of opening is 3 in. (76 mm).

https://iqluprospector.com/en/profile?e=175371

3/3

6A A614 FIRE STOP - FLOOR - FRAMED - GROUPINGS - F 1HR&2HR - T 1HR&2HR - L NA - HILTI - XHEZ.F-C-8009 12" = 1'-0"

Owner: Renovation Wranglers
102 E 26th St
Bryan, TX 77803
kate@renovationwranglers.com | 979.450.9969

ARCHITECTURE
Architect of Record: LKB Architecture
2929 Allen Pkwy Suite 200
Houston, TX 77019
isa@lkbarchitecture.com | 713.425.3076

STRUCTURE
Structural: Dudley
6102 Imperial Loop Drive
College Station, TX 77845
(979) 777-0720

ENGINEERS
MEP: AMC Engineers
508 E Jackson St # 552
Burnet, TX 78611
info@amcengineers.com

This project, like most OpeningDesign's projects, is open source. (Attribution-ShareAlike 4.0 International-CC BY-SA 4.0) — freely available to any party for future use, assuming the terms such as Attribution and ShareAlike are honored.

* Indicates such products shall bear the UL or cUL Certification Mark for jurisdictions employing the UL or cUL Certification (such as Canada), respectively.

Last Updated on 2018-04-06

The appearance of a company's name or product in this database does not in itself assure that products so identified have been manufactured under UL's Follow-Up Service. Only those products bearing the UL Mark should be considered to be Certified and covered under UL's Follow-Up Service. Always look for the Mark on the product.

UL permits the reproduction of the material contained in the Online Certification Directory subject to the following conditions: 1. The Guide Information, Assemblies, Constructions, Designs, Systems, and/or Certifications (files) must be presented in their entirety and in a non-misleading manner, without any manipulation of the data (or drawings). 2. The statement "Reprinted from the Online Certifications Directory with permission from UL" must appear adjacent to the extracted material. In addition, the reprinted material must include a copyright notice in the following format: "© 2022 UL LLC"

openingdesign

Architect: OpeningDesign
17 S Fairchild | FL 7
Madison, WI 53703
ryan@openingdesign.com | 773.425.6456

Date	Description
06/02/2022	Review before Permit

6A A614

FIRE STOP DETAILS - FLOOR

MARCO POLO - 101 33RD STREET - CITY OF BRYAN TOWNSITE, BLOCK 96, LOT 3-5 & PT OF 6 & PT OF ALLEY - BRYAN, TX 77803