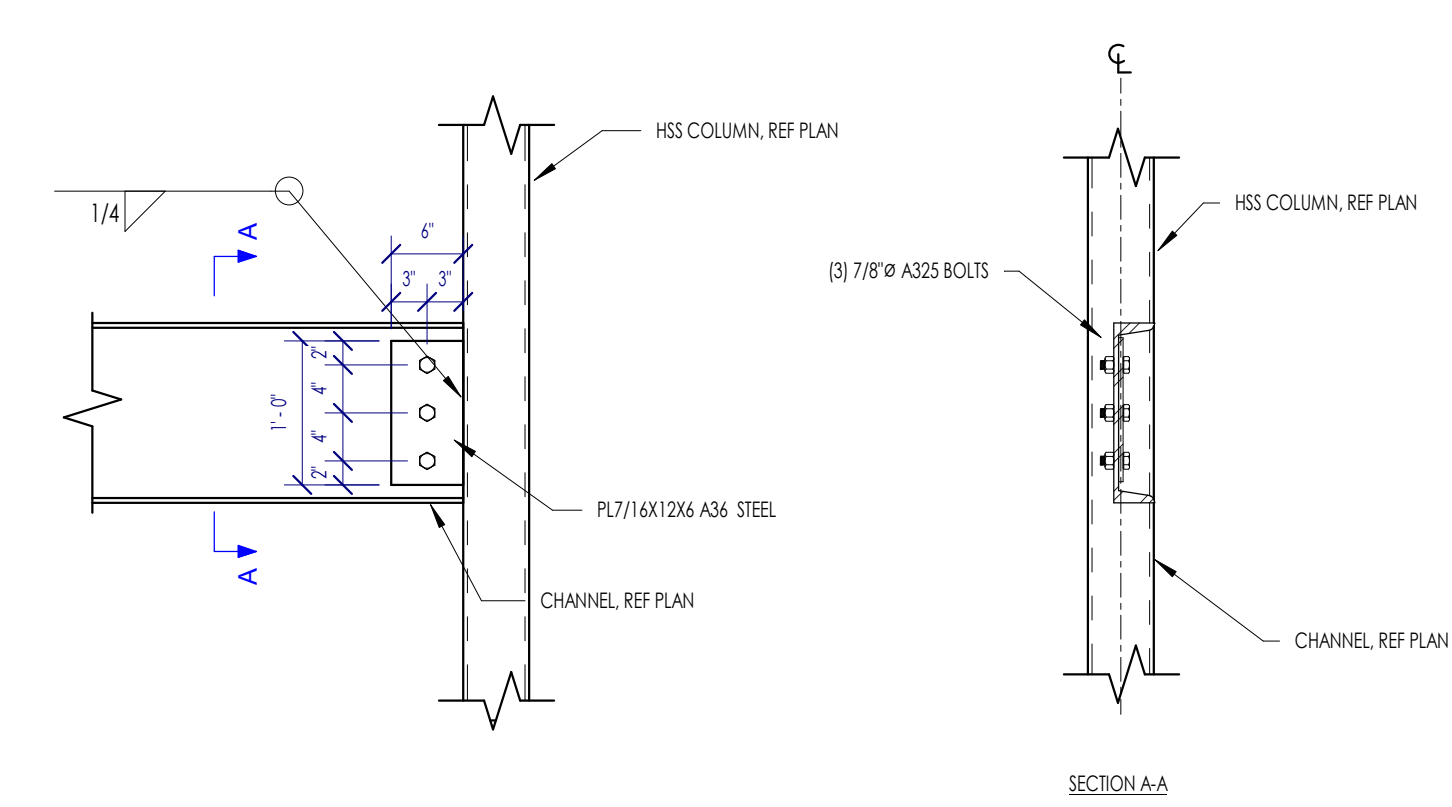
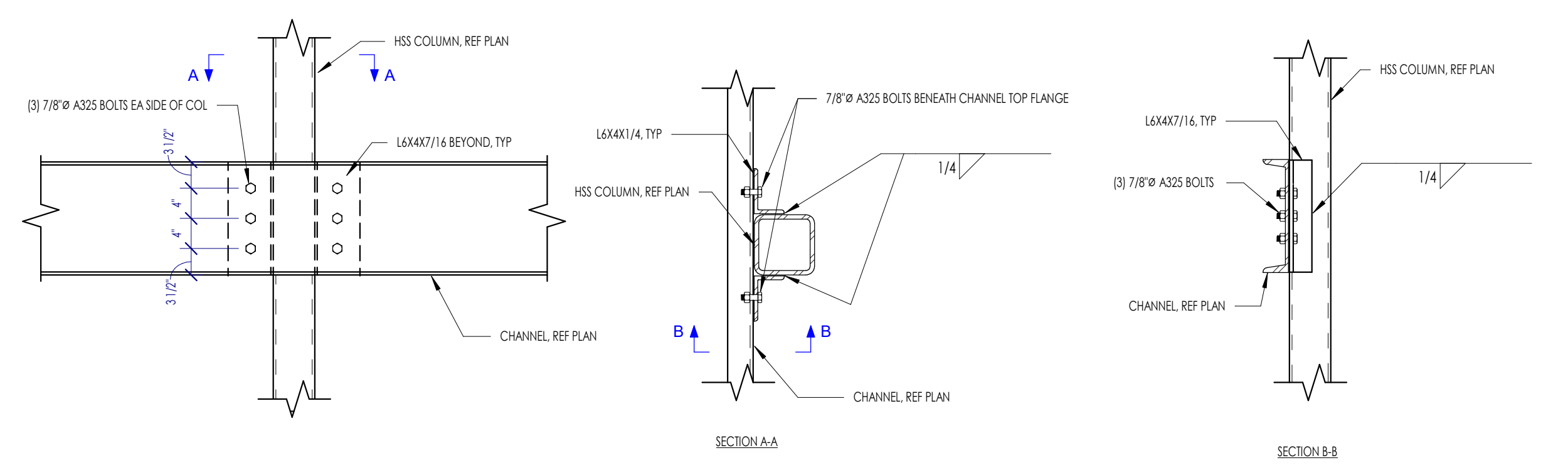


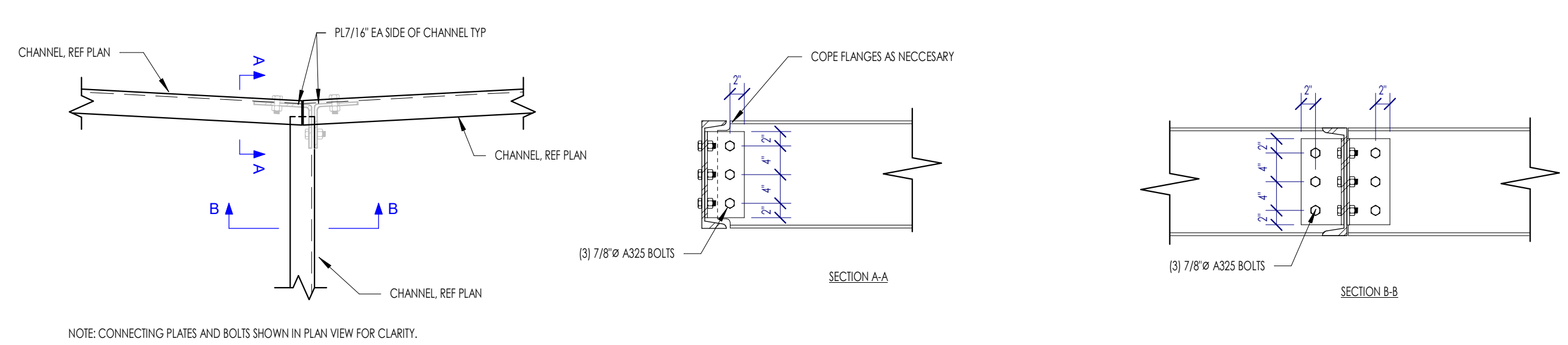
This project, like most OpeningDesign's projects, is open source (Attribution-ShareAlike 4.0 International-CC BY-SA 4.0)-freely available to any party for future use, assuming the terms such as Attribution and ShareAlike are honored.



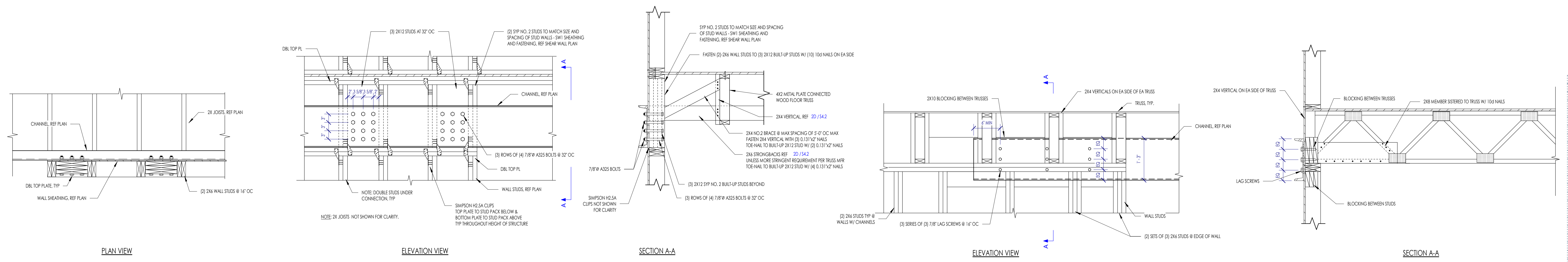
1C S4.5 CHANNEL TO HSS COLUMN CONNECTION - ALIGNED



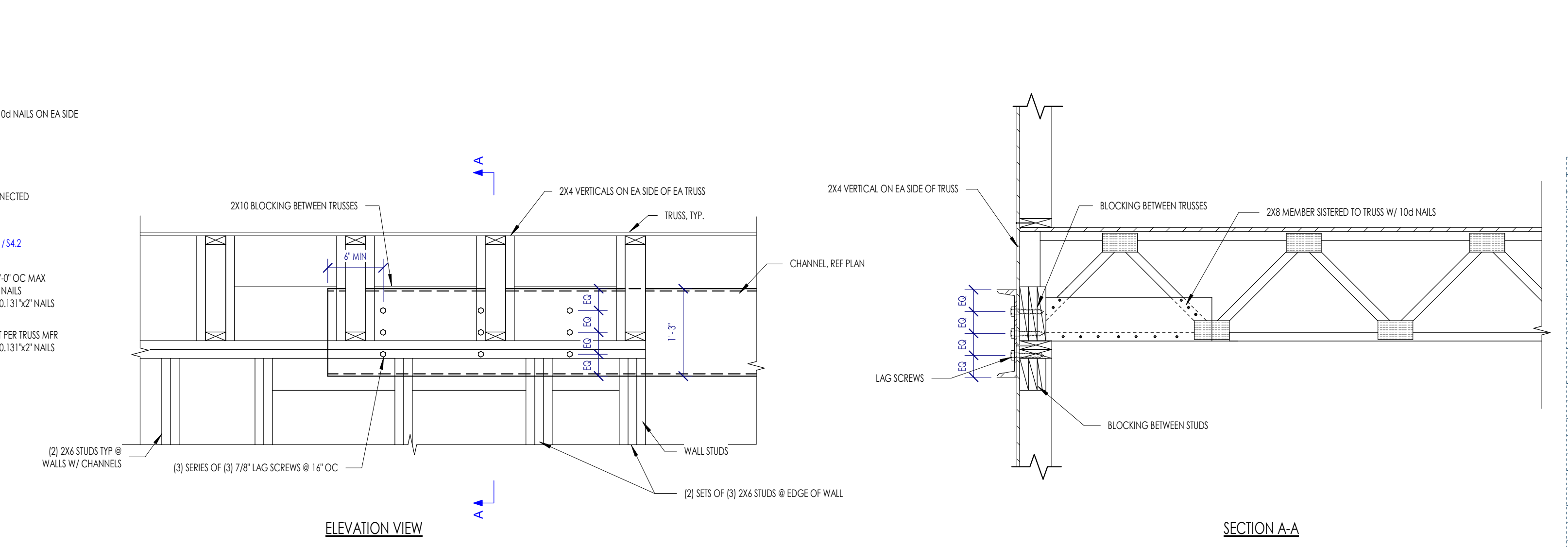
3B S4.5 CHANNEL TO HSS COLUMN CONNECTION - ECCENTRIC



6B S4.5 TYPICAL CHANNEL CONNECTION AT BALCONY1



6A S4.5 TYPICAL CHANNEL TO WALL STUD BOLTED CONNECTIONX



3A S4.5 TYPICAL CHANNEL TO WALL STUD CONNECTION

Date	Description
06/02/2022	Review before Permit