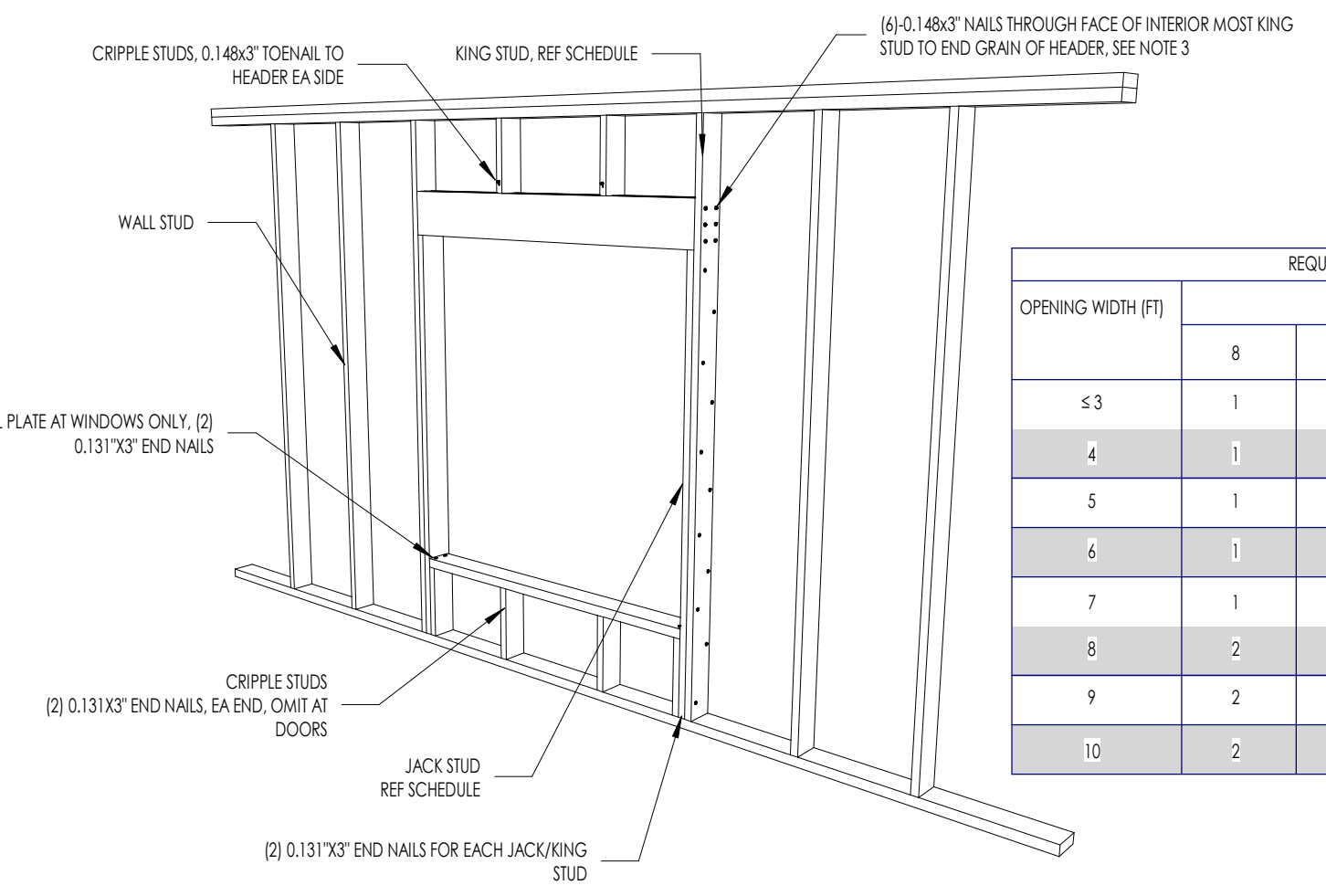


OPENING WIDTH (FT)	REQUIRED NO. OF KING STUDS				NO. JACK STUDS	STRAP LAP LENGTH (IN)
	8	9	10	12		
≤3	1	1	1	2	2	1
4	1	1	2	2	2	1
5	2	2	2	3	3	1
6	2	2	3	3	3	1
7	2	2	3	3	4x6	1
8	3	3	3	4x6	4x6	2
9	3	3	4x6	4x6	4x6	2
10	3	3	4x6	4x6	4x6	2

OPENING WIDTH (FT)	REQUIRED NO. OF KING STUDS				NO. JACK STUDS	STRAP LAP LENGTH (IN)
	8	9	10	12		
≤3	1	1	1	1	1	N/R
4	1	1	1	1	1	N/R
5	1	1	1	1	2	1
6	1	1	1	2	2	1
7	1	1	2	2	2	1
8	1	1	2	2	2	2
9	1	2	2	2	2	2
10	1	2	2	2	3	2

NOTES:
1. MULTIPLE PILES MUST BE ATTACHED PER THE MECHANICALLY LAMINATED BUILT-UP COLUMN, NAILED DETAIL.
2. TABLE IS BASED OFF A HORIZONTAL WIND PRESSURE OF 20 PSF AND GRAVITY LOADING OF 200 PLF.
3. WALLS MUST BE CENTERED ON THE INDIVIDUAL PILES OF THE HEADER.
4. N/R = NOT REQUIRED. IF N/R, THEN REFERENCE NARROW OPENING DIAGRAM FOR CONNECTION REQUIREMENTS, OTHERWISE REFERENCE THE WIDE OPENING DIAGRAM.

4C TYPICAL EXTERIOR OPENING FRAMING

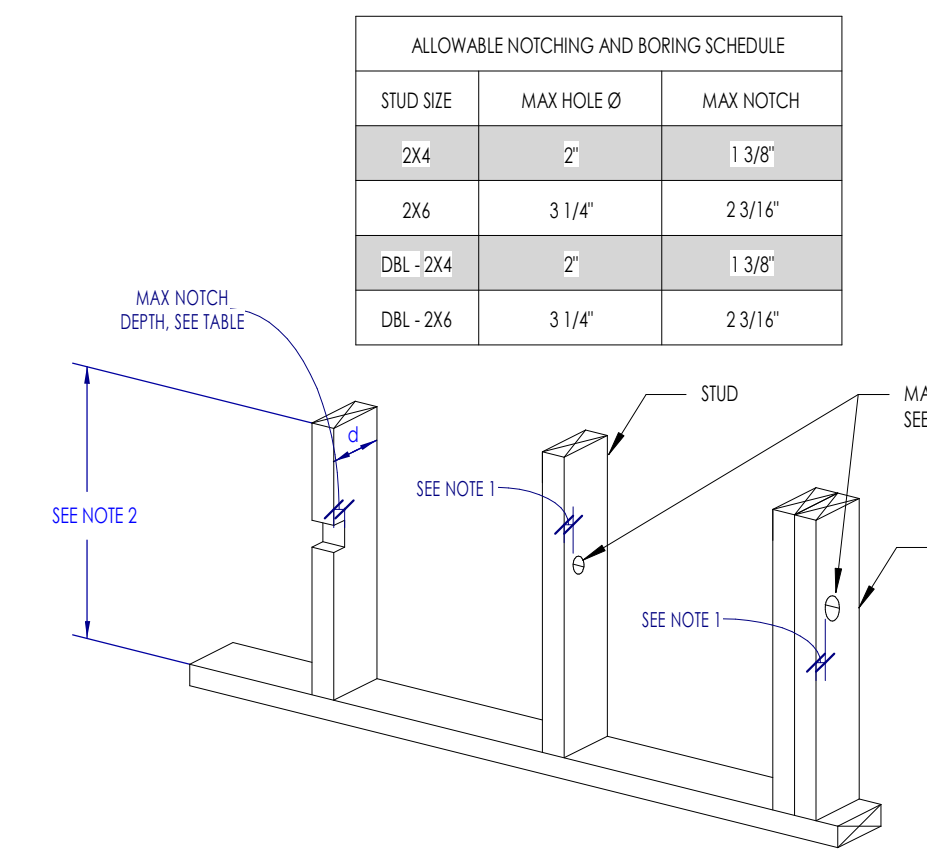


OPENING WIDTH (FT)	REQUIRED NO. OF KING STUDS				NO. JACK STUDS
	8	9	10	12	
≤3	1	1	1	1	1
4	1	1	1	1	1
5	1	1	2	2	1
6	1	1	2	2	1
7	1	1	2	2	3
8	2	2	2	3	2
9	2	2	3	3	2
10	2	2	3	3	2

OPENING WIDTH (FT)	REQUIRED NO. OF KING STUDS				NO. JACK STUDS	HEADER SIZE
	8	9	10	12		
≤3	1	1	1	1	1	2x4 STUD WALL / 2x6 STUD WALL
4	1	1	1	1	1	2x4 STUD WALL / 2x6 STUD WALL
5	1	1	1	2	2	2x4 STUD WALL / 2x6 STUD WALL
6	1	1	2	2	2	2x4 STUD WALL / 2x6 STUD WALL
7	1	1	2	2	3	2x4 STUD WALL / 2x6 STUD WALL
8	2	2	2	3	3	2x4 STUD WALL / 2x6 STUD WALL
9	2	2	3	3	3	2x4 STUD WALL / 2x6 STUD WALL
10	2	2	3	3	3	2x4 STUD WALL / 2x6 STUD WALL

NOTES:
1. LOAD BEARING WALLS AND ASSOCIATED HEADERS ARE INDICATED ON PLAN.

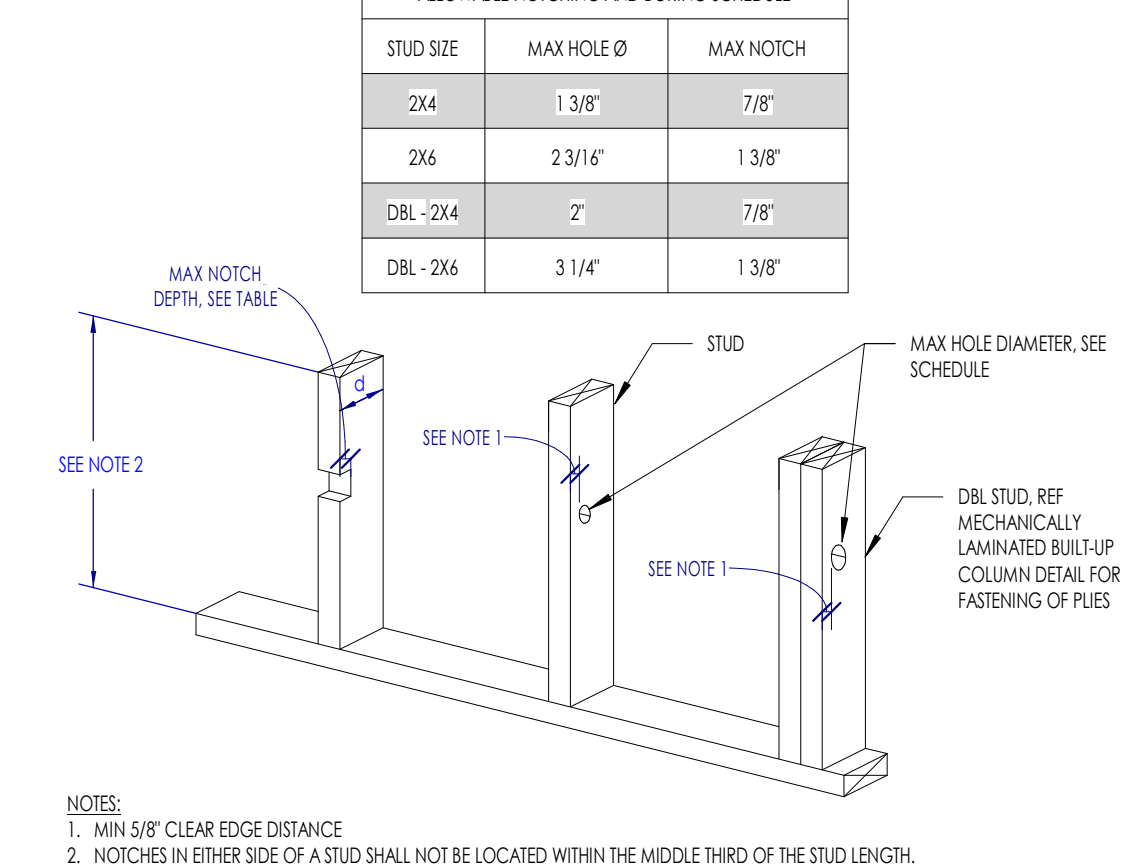
5B TYPICAL INTERIOR OPENING FRAMING



STUD SIZE	MAX HOLE Ø	MAX NOTCH
2x4	2"	1.318"
2x6	3.14"	2.316"
DBL 2x4	2"	1.318"
DBL 2x6	3.14"	2.316"

NOTES:
1. MIN 5/8" CLEAR EDGE DISTANCE.
2. NOTCHES IN EITHER SIDE OF A STUD SHALL NOT BE LOCATED WITHIN THE MIDDLE THIRD OF THE STUD LENGTH.
3. NOTCHES AND BORINGS SHALL NOT OCCUR IN THE SAME CROSS SECTION.

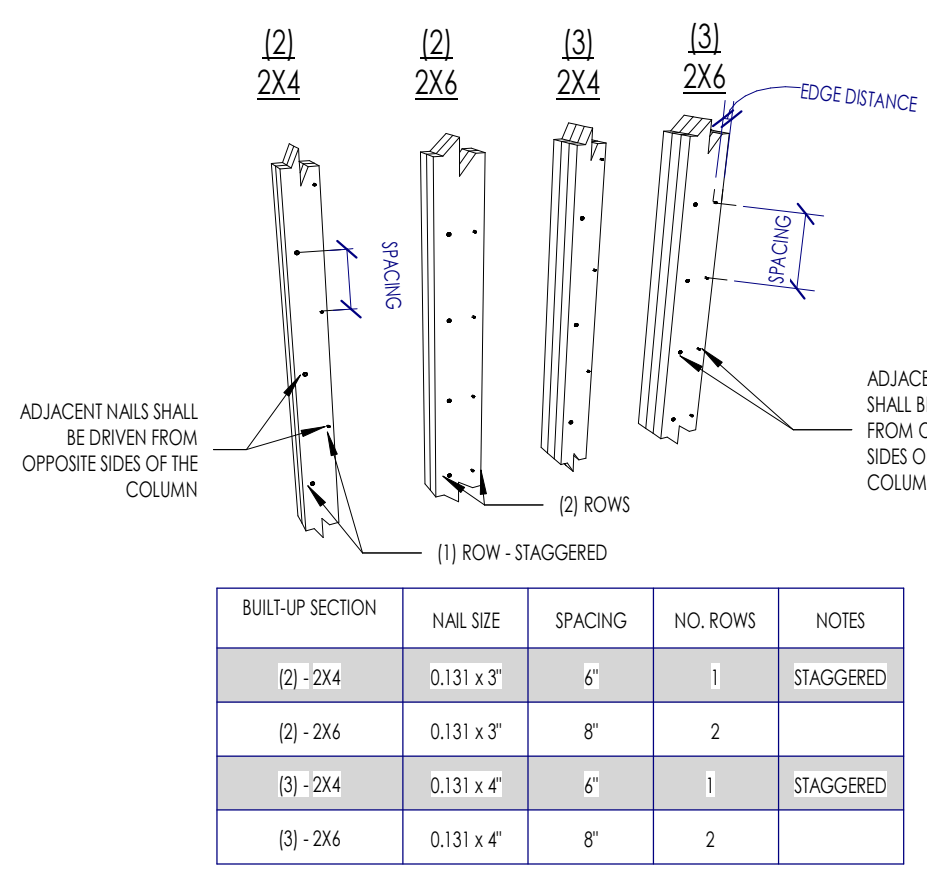
2B ALLOWABLE STUD NOTCHING AND BORING IN INTERIOR NON-LOAD BEARING WALLS



STUD SIZE	MAX HOLE Ø	MAX NOTCH
2x4	1.318"	1.318"
2x6	2.316"	1.318"
DBL 2x4	2"	1.318"
DBL 2x6	3.14"	1.318"

NOTES:
1. MIN 5/8" CLEAR EDGE DISTANCE.
2. NOTCHES IN EITHER SIDE OF A STUD SHALL NOT BE LOCATED WITHIN THE MIDDLE THIRD OF THE STUD LENGTH.
3. NOTCHES AND BORINGS SHALL NOT OCCUR IN THE SAME CROSS SECTION.

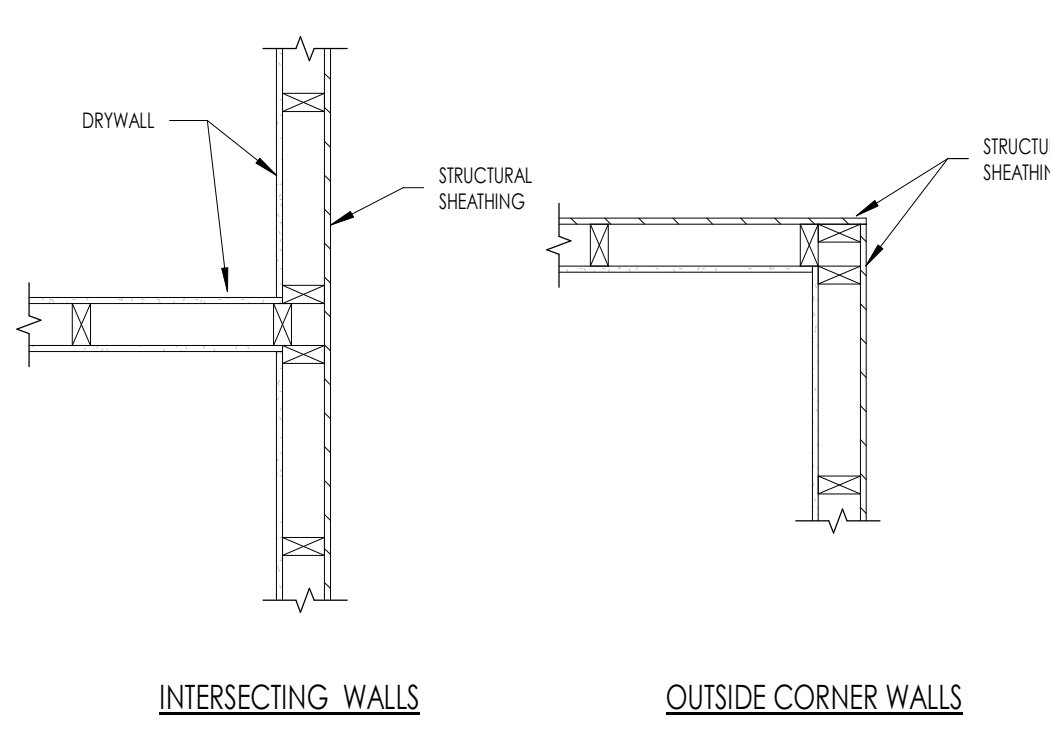
1B ALLOWABLE STUD NOTCHING AND BORING IN EXTERIOR & LOAD BEARING WALLS



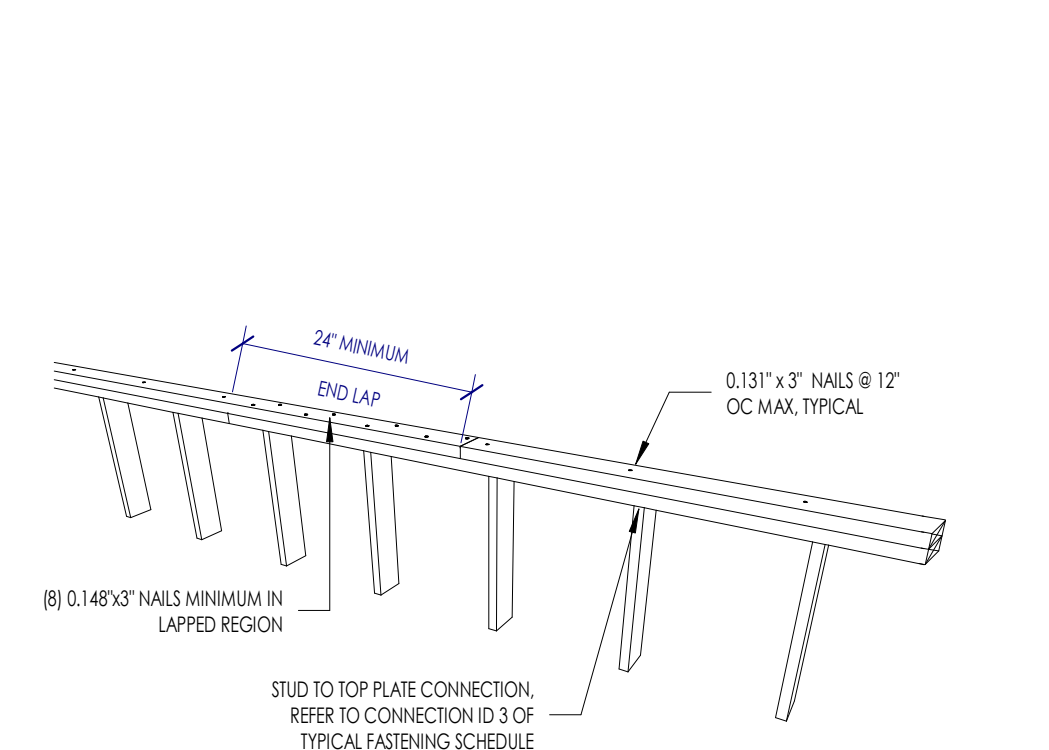
NAIL SIZE	SPACING	NO. ROWS	NOTES	
[2] 2x4	0.131 x 2"	6"	1	STAGGERED
[2] 2x6	0.131 x 3"	8"	2	
[1] 2x4	0.131 x 4"	6"	1	STAGGERED
[3] 2x6	0.131 x 4"	8"	2	

NOTES:
1. END DISTANCE: THE FIRST FASTENERS SHALL BE LOCATED 2" FROM THE END OF THE COLUMN ON EACH END.
2. EDGE DISTANCE: 3/4" EDGE DISTANCES ± 1/2"

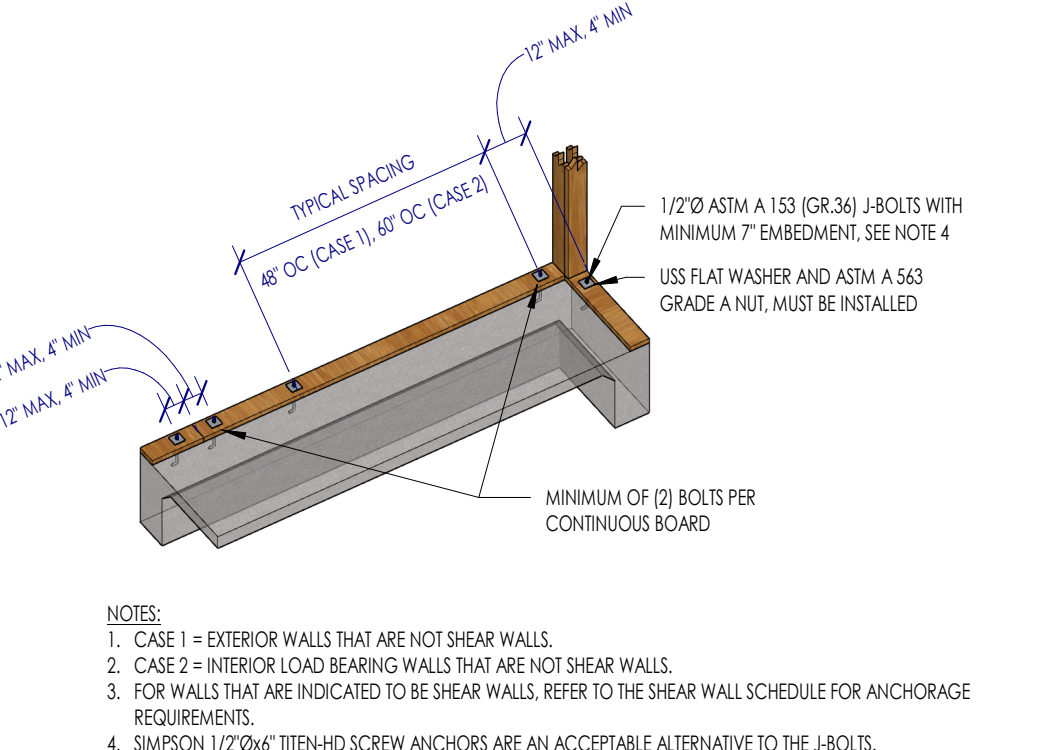
5A TYPICAL STRAP AT WIDE EXTERIOR OPENINGS



4A TYPICAL CORNER AND INTERSECTION WALL STUDS (NOT AT SHEAR WALL)



3A TYPICAL LOAD BEARING / SHEAR WALL DOUBLE TOP PLATE SPLICE



2A TYPICAL BOTTOM PLATE ANCHORAGE

This project, like most OpeningDesign's projects, is open source (Attribution-ShareAlike 4.0 International-CC BY-SA 4.0)—freely available to any party for future use, assuming the terms such as Attribution and ShareAlike are honored.