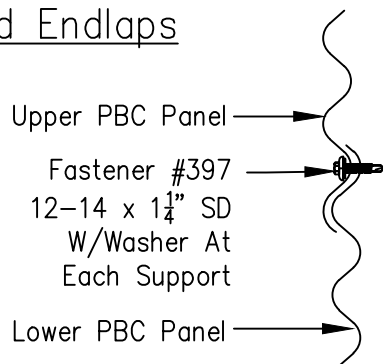
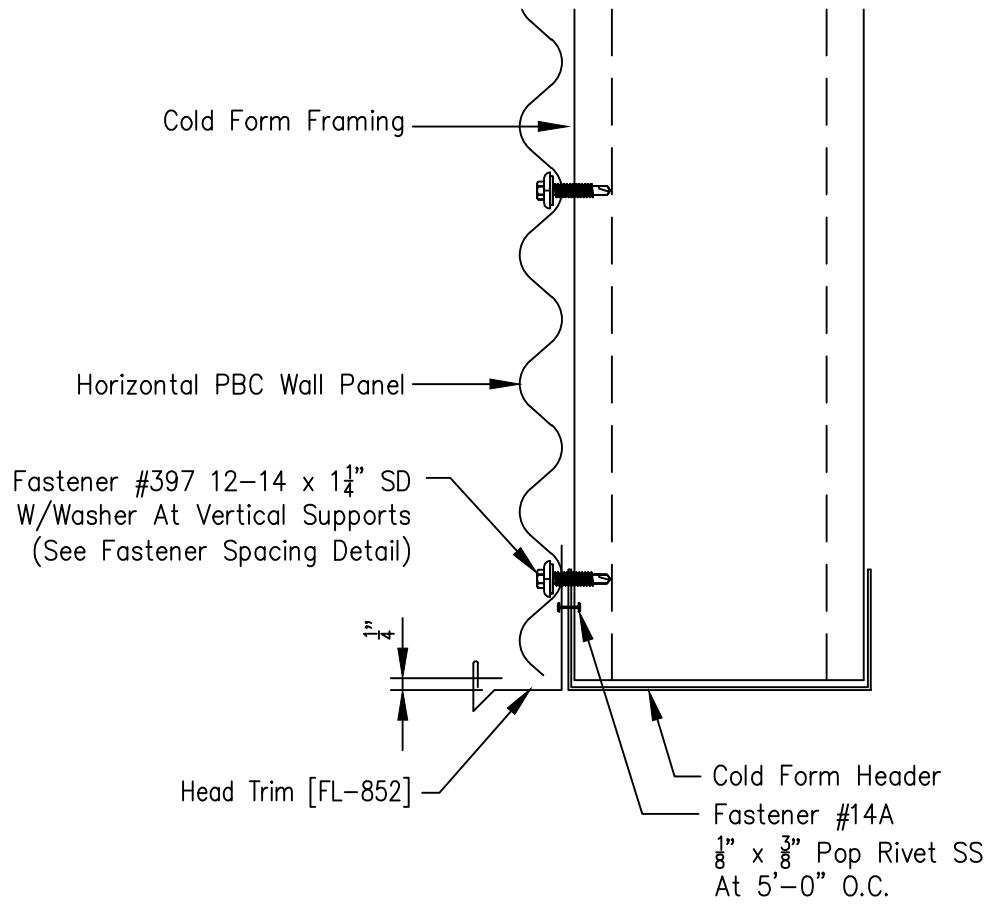


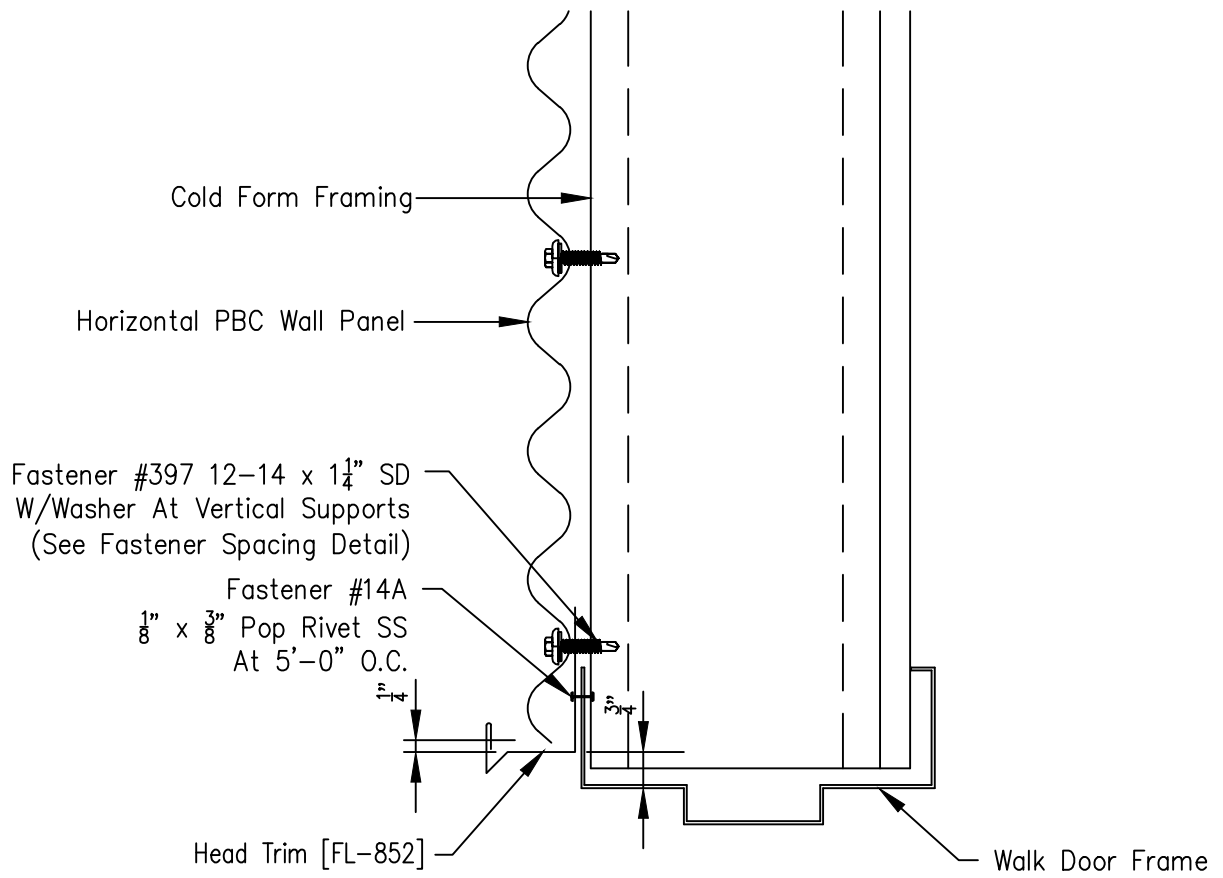
PBC Fastener Location
At Panel Ends And Endlaps

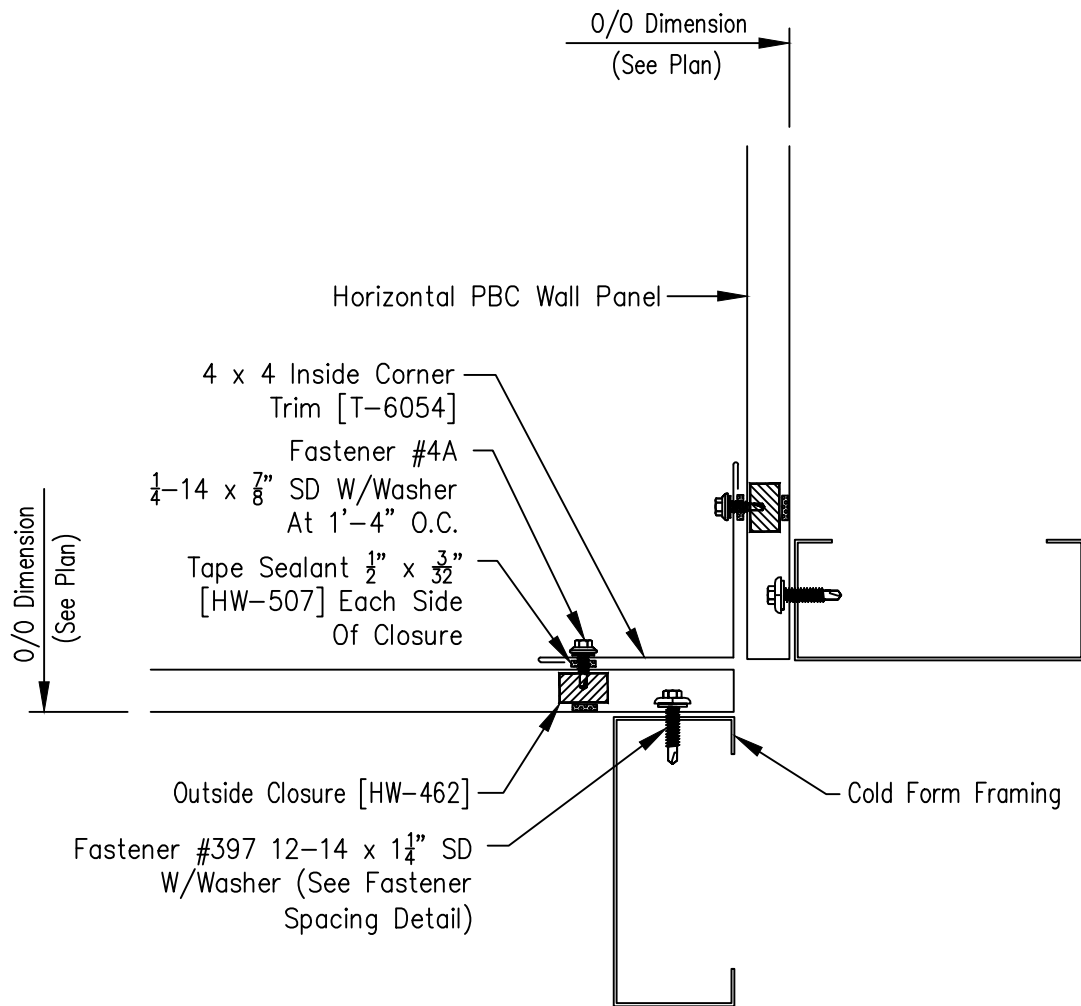
PBC Fastener Location
At Intermediate Supports

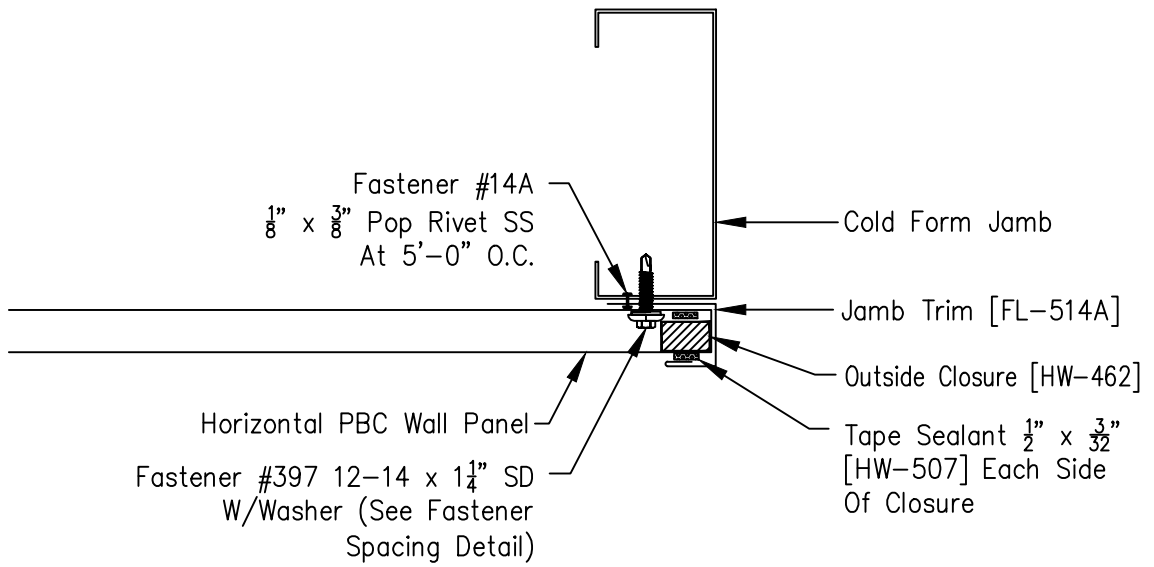


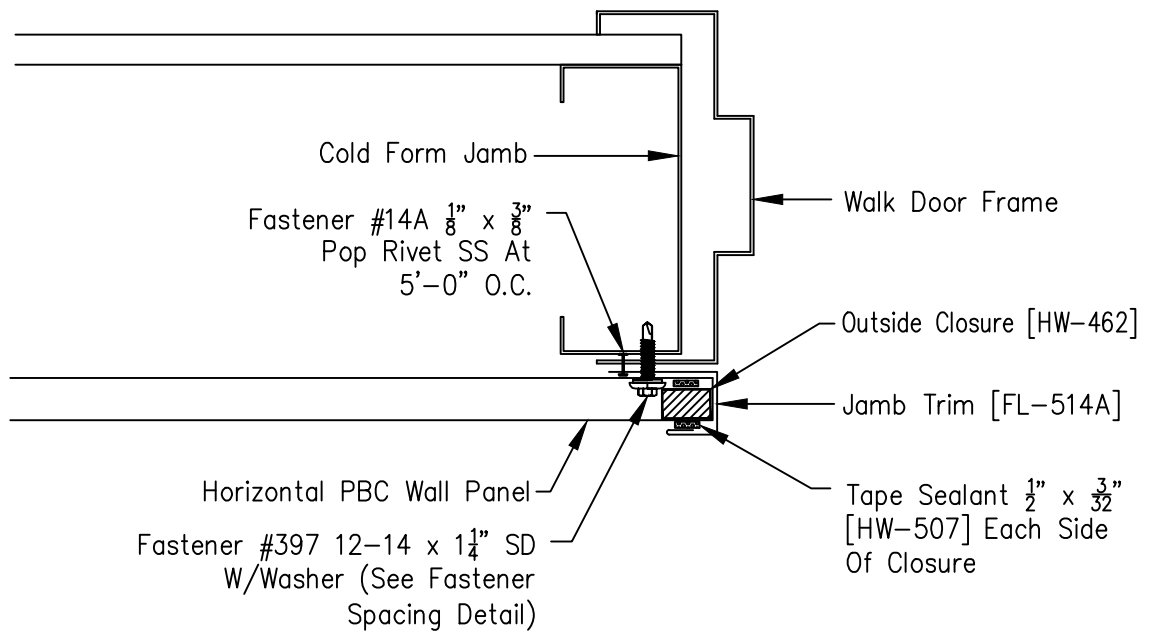
Horizontal PBC Panel Sidelap

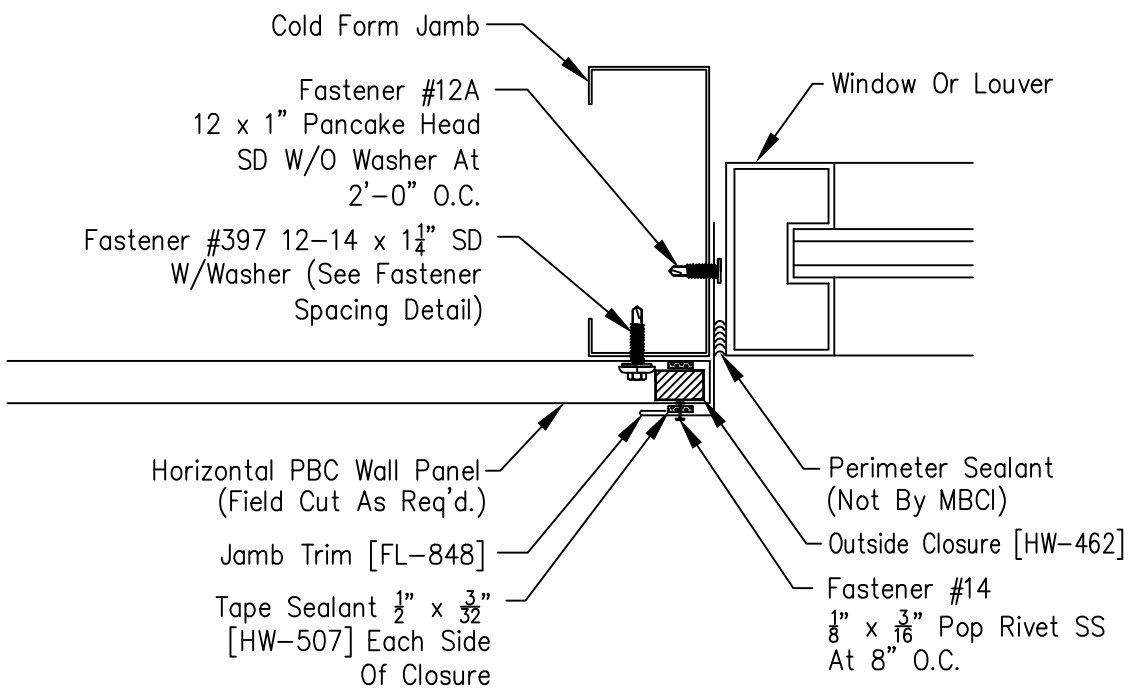


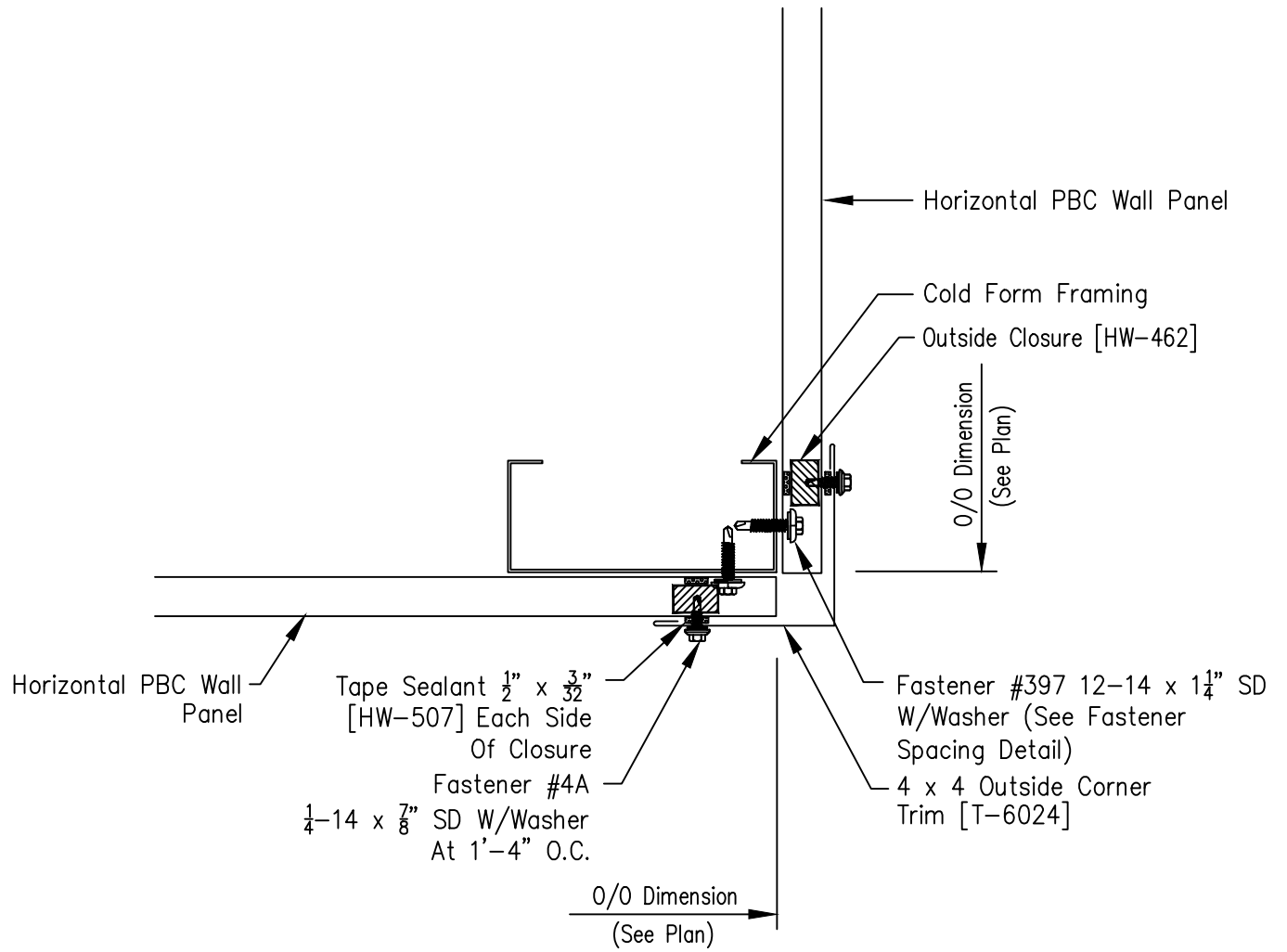


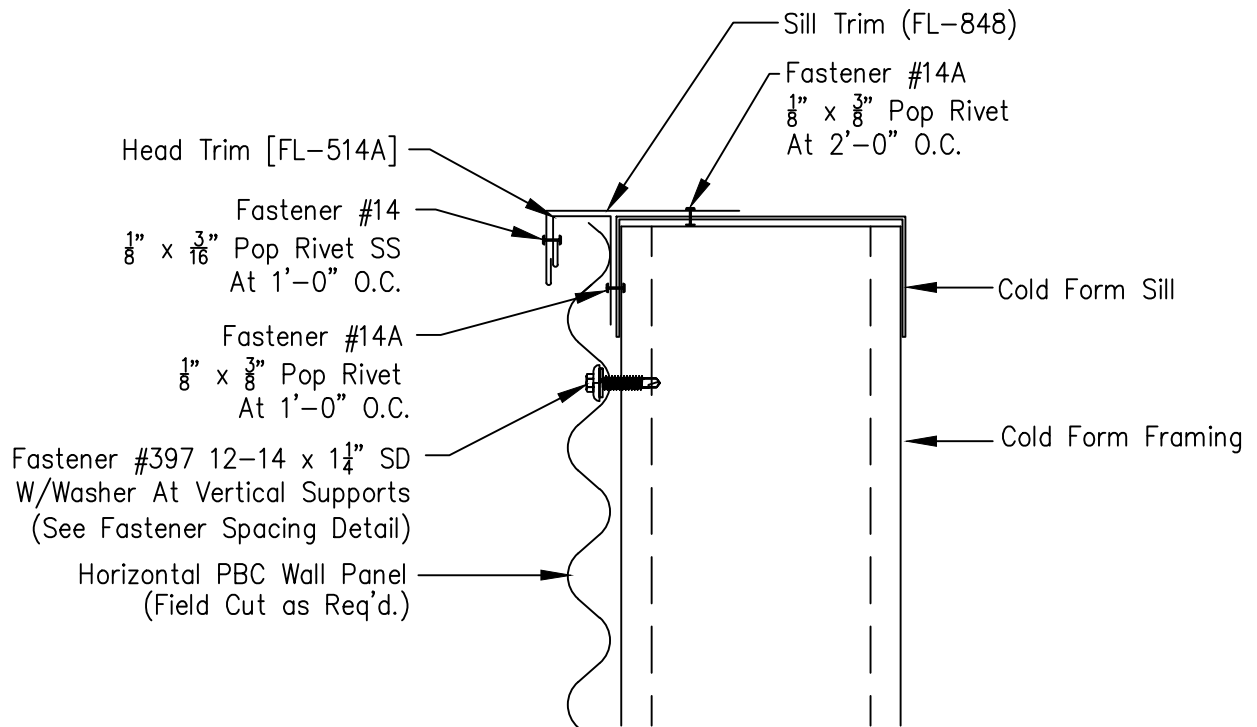


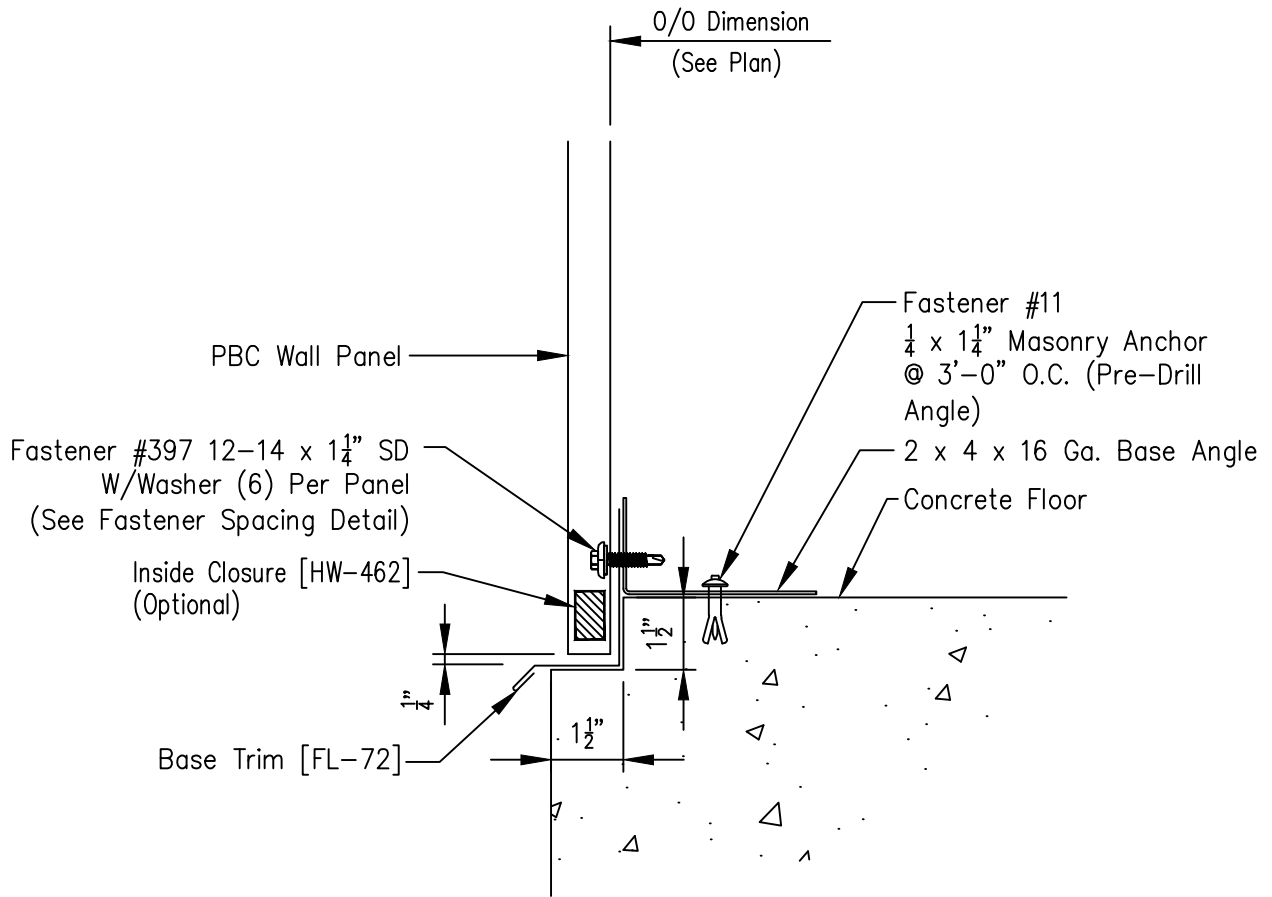


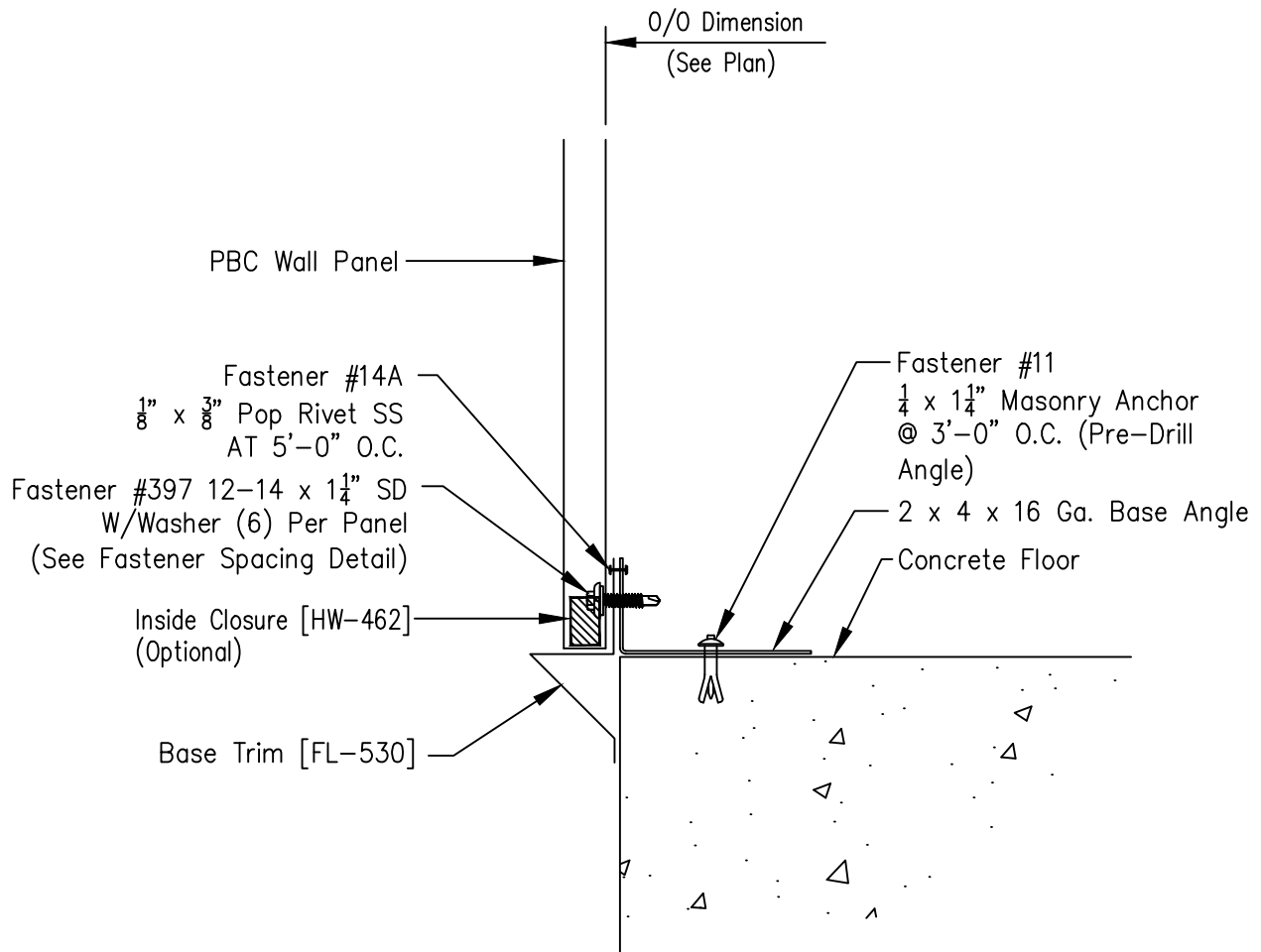


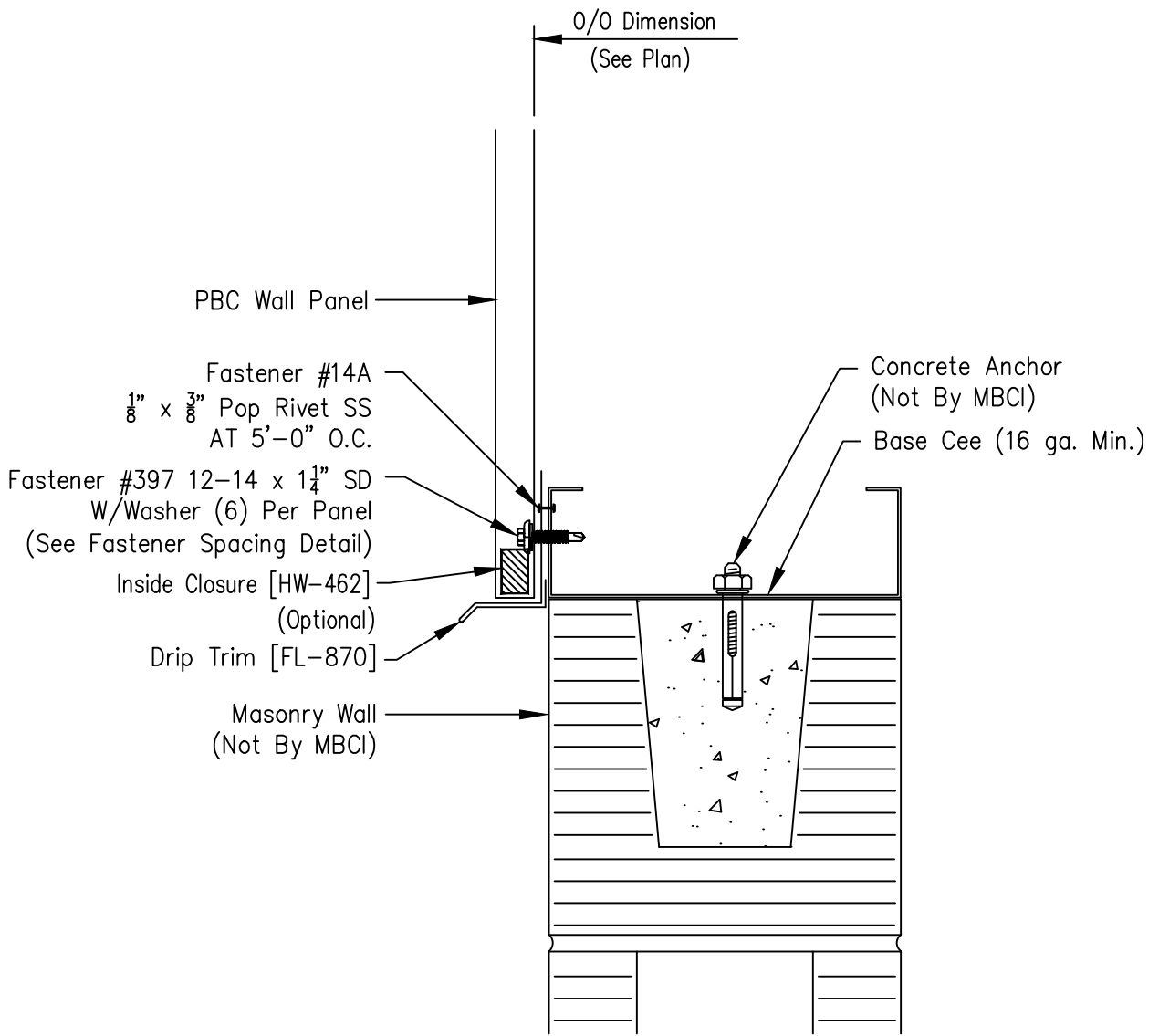


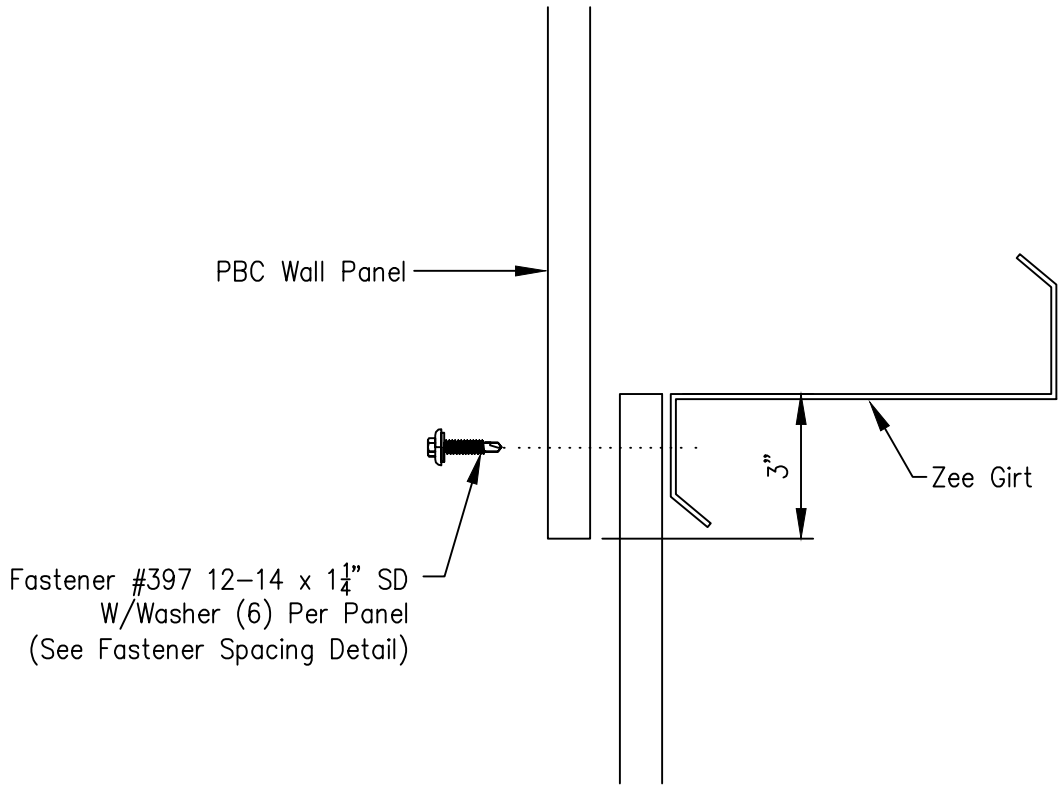


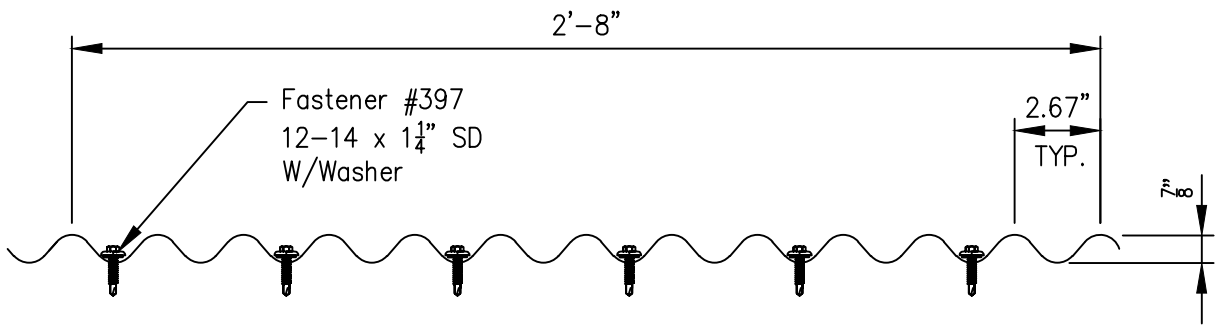




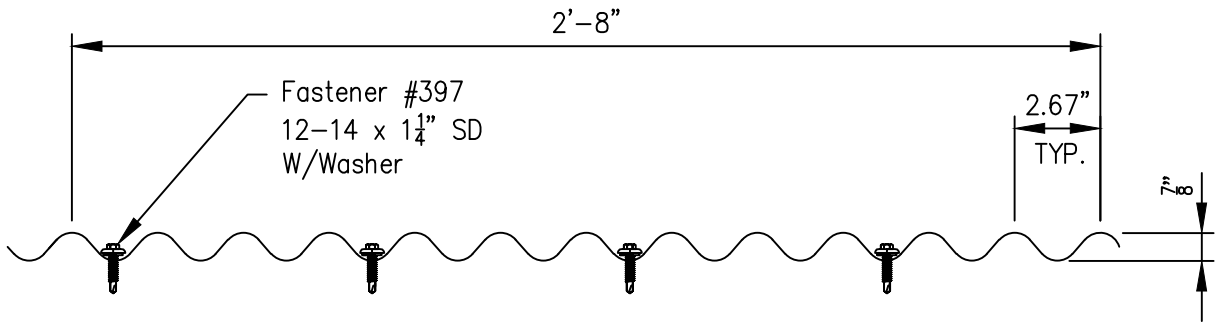




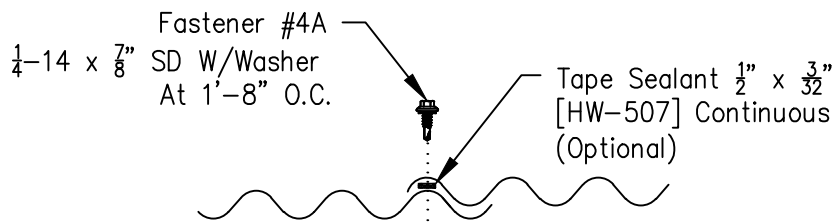




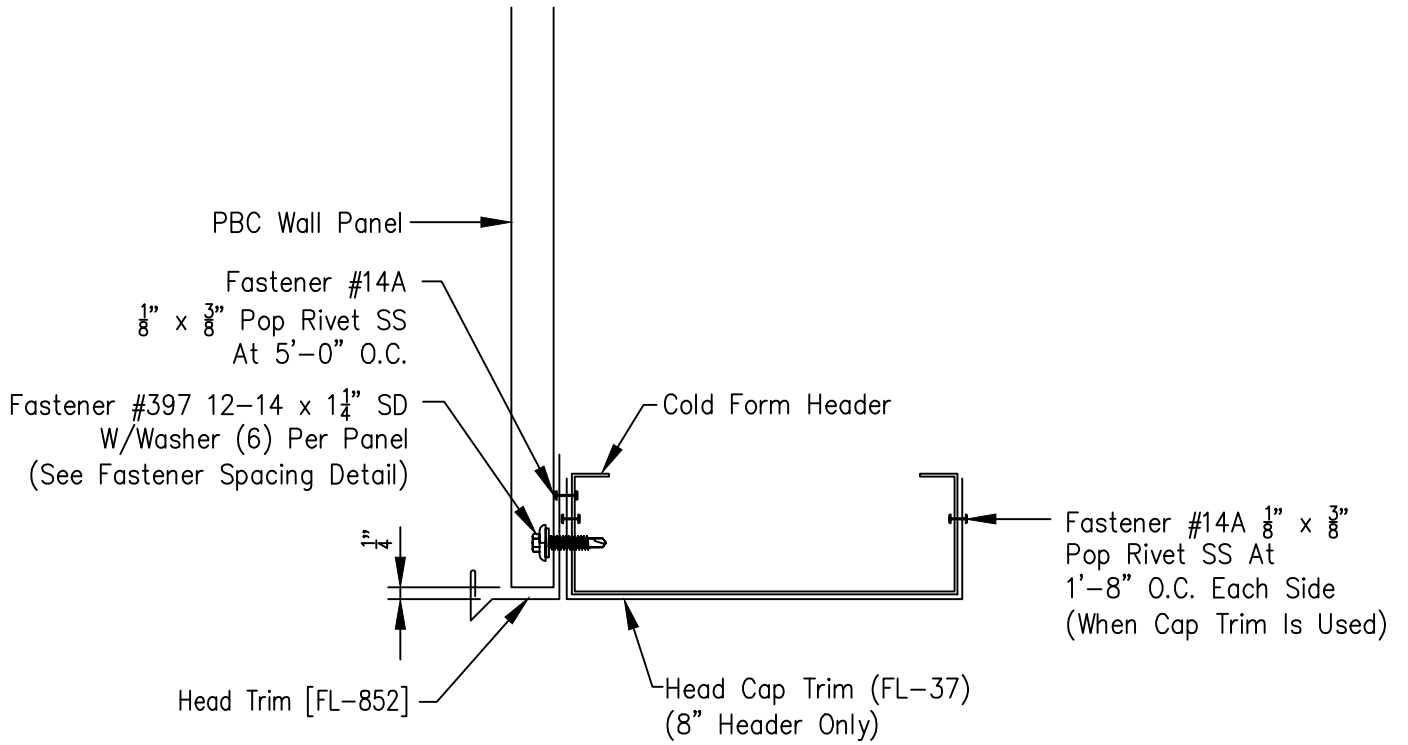
PBC Fastener Location At Panel Ends

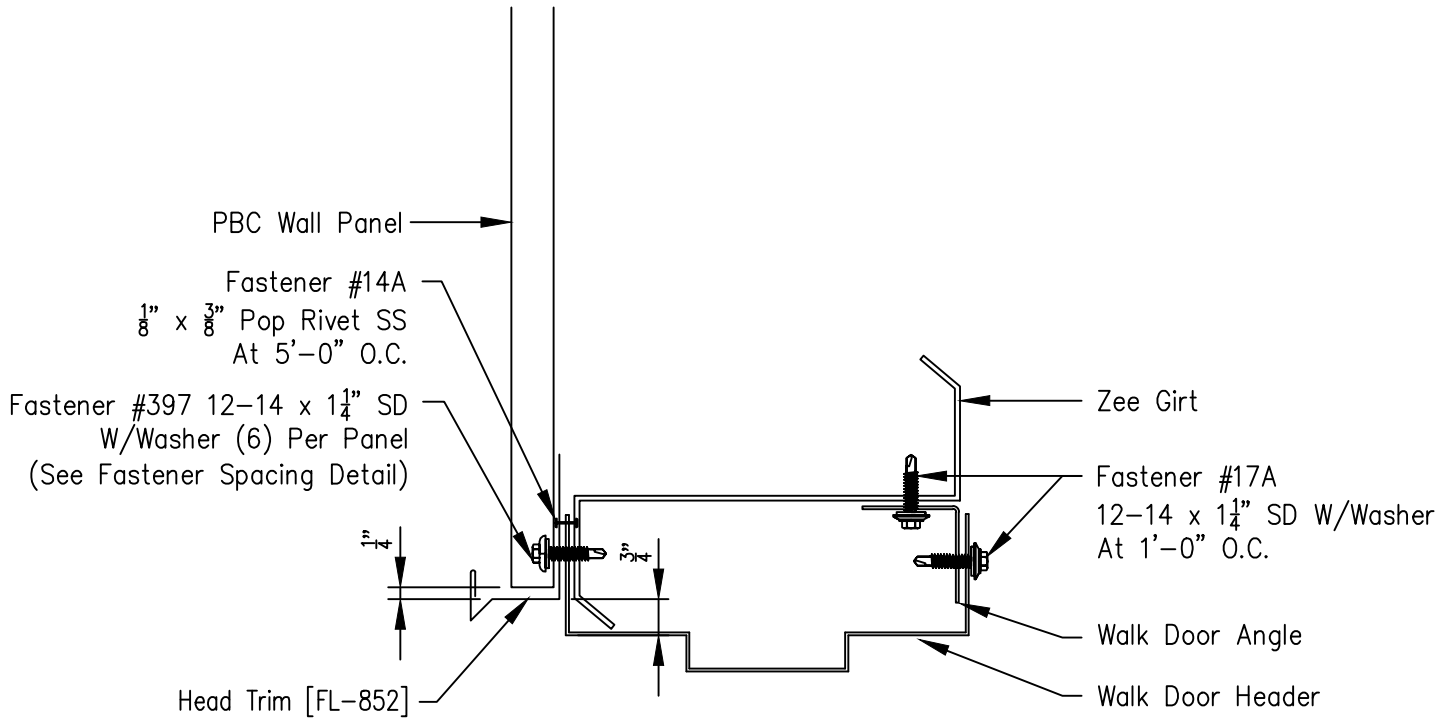


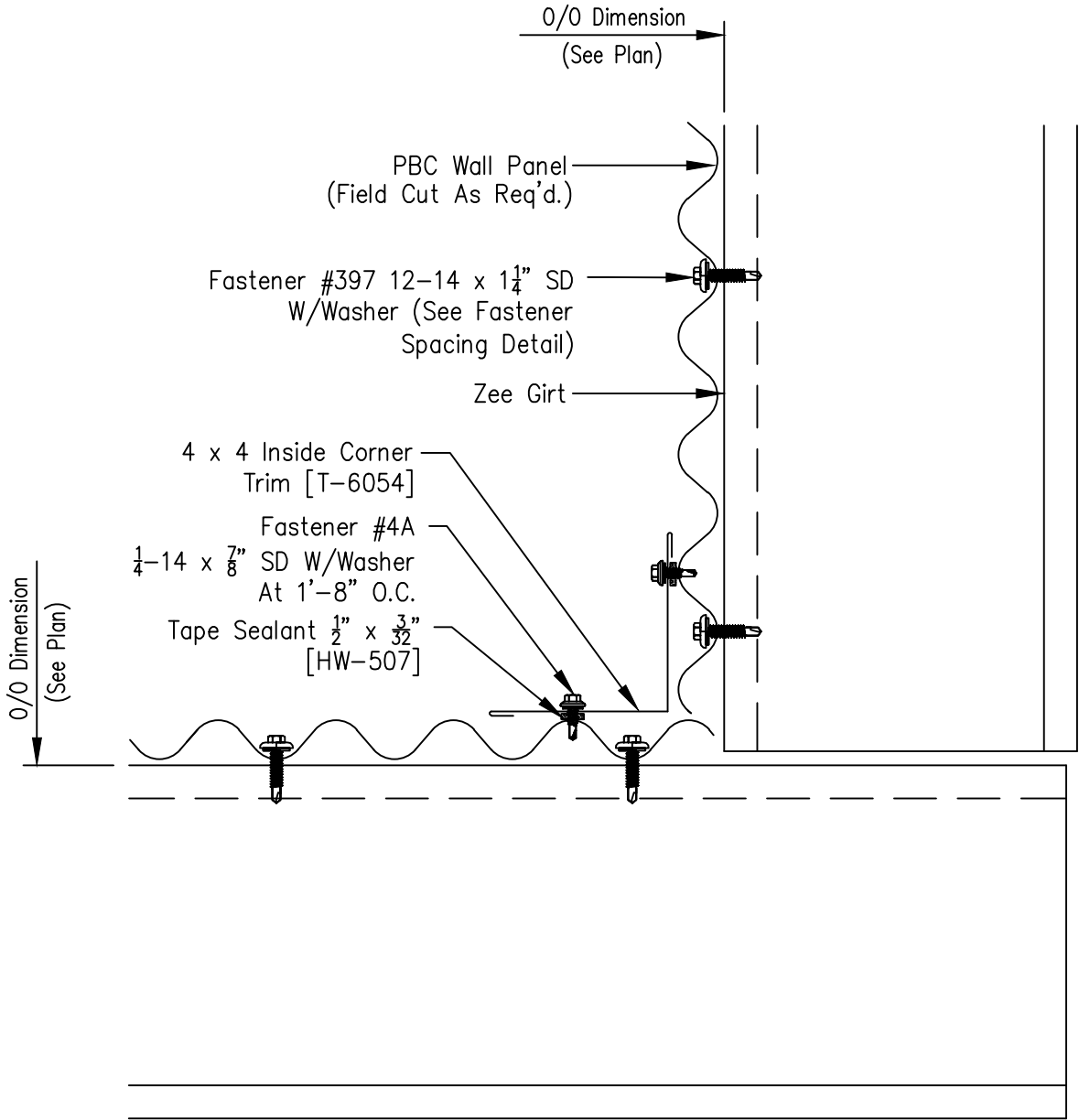
PBC Fastener Location At Intermediate Supports

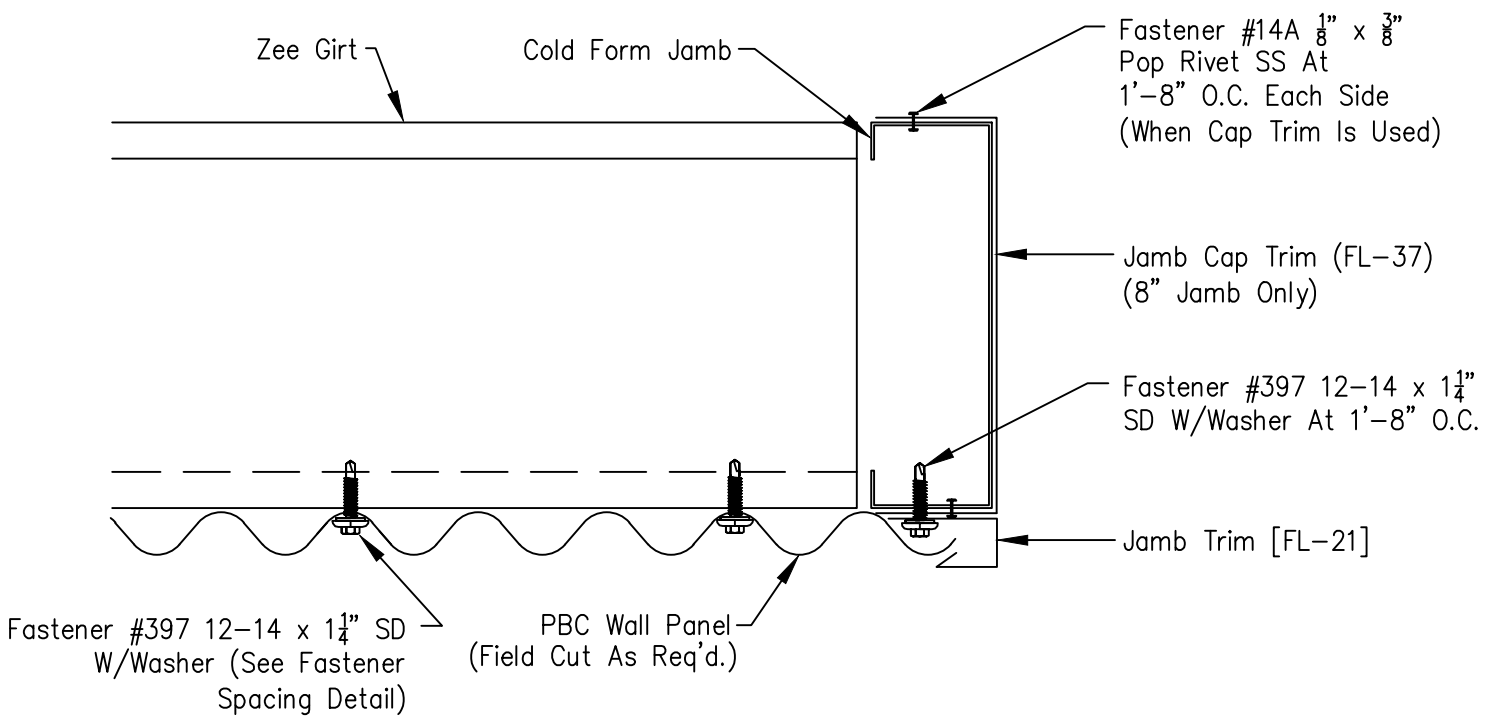


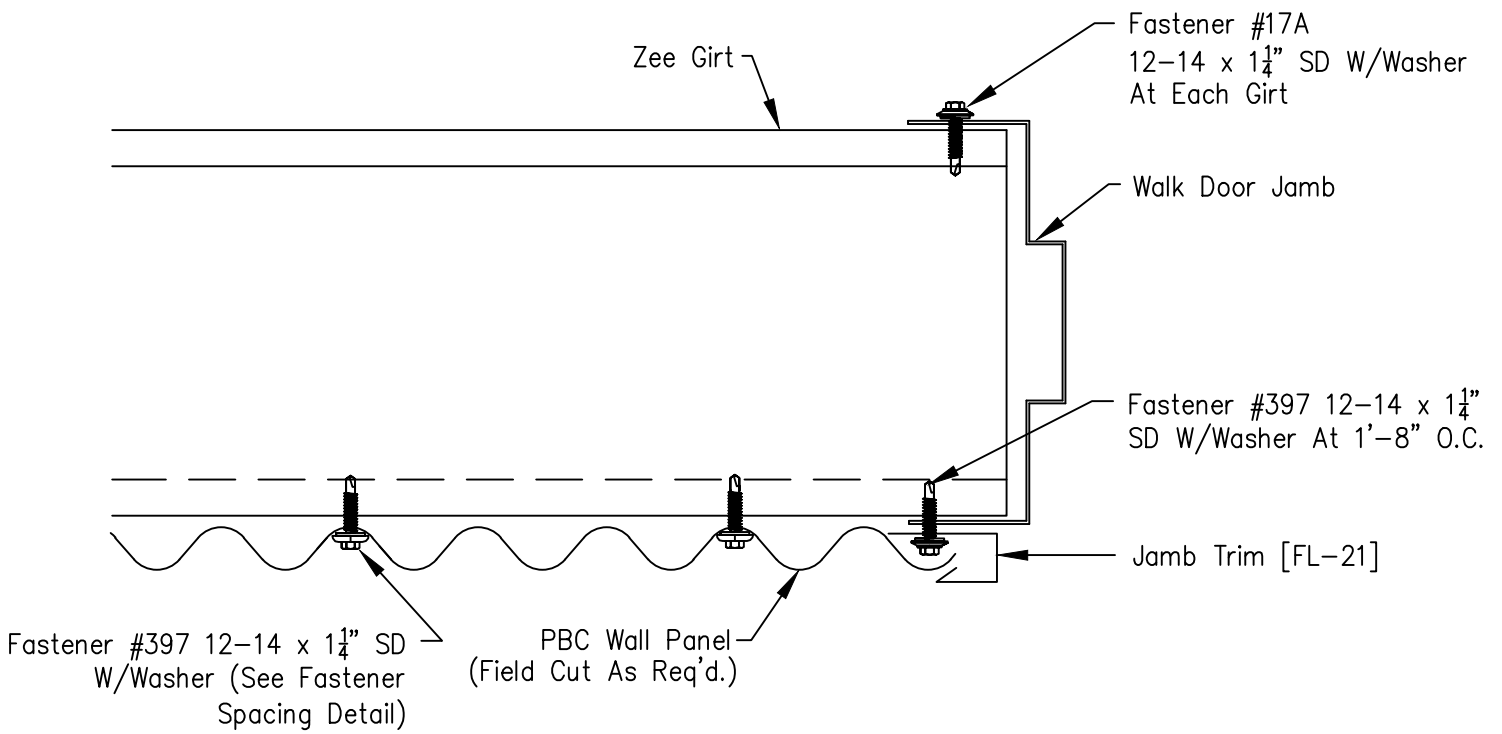
PBC Panel Sidelap

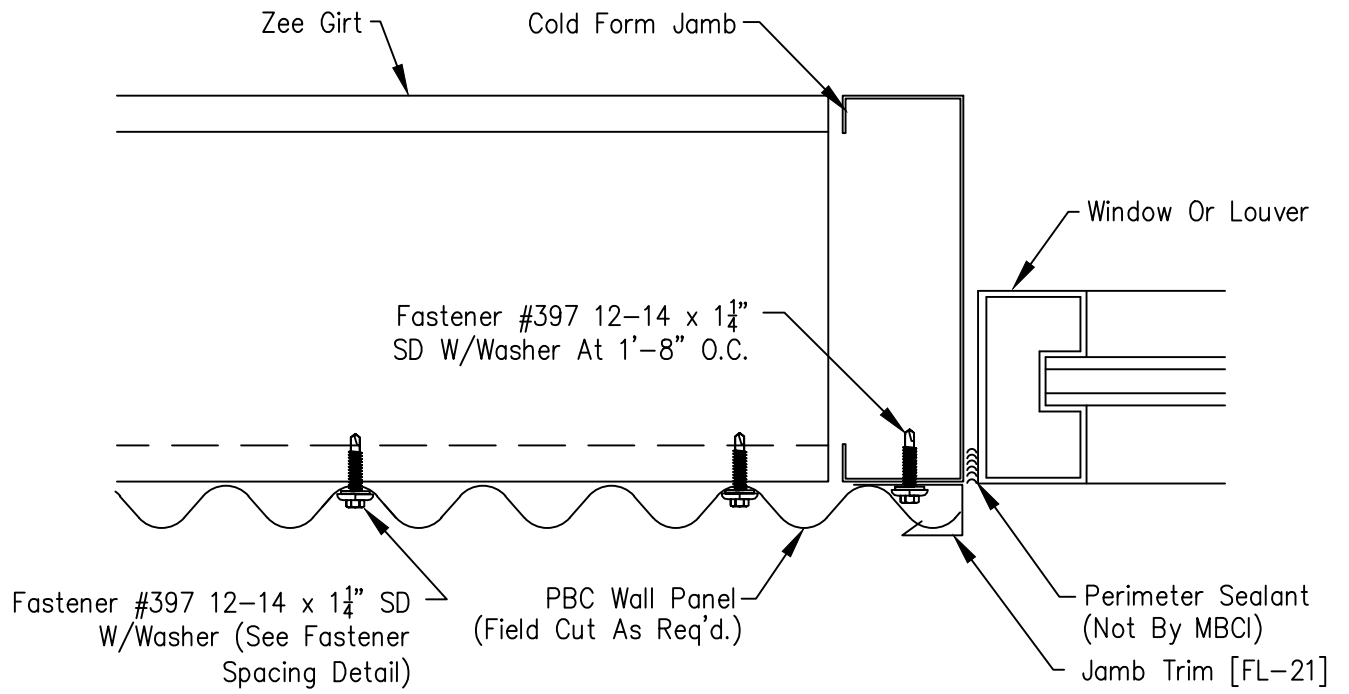


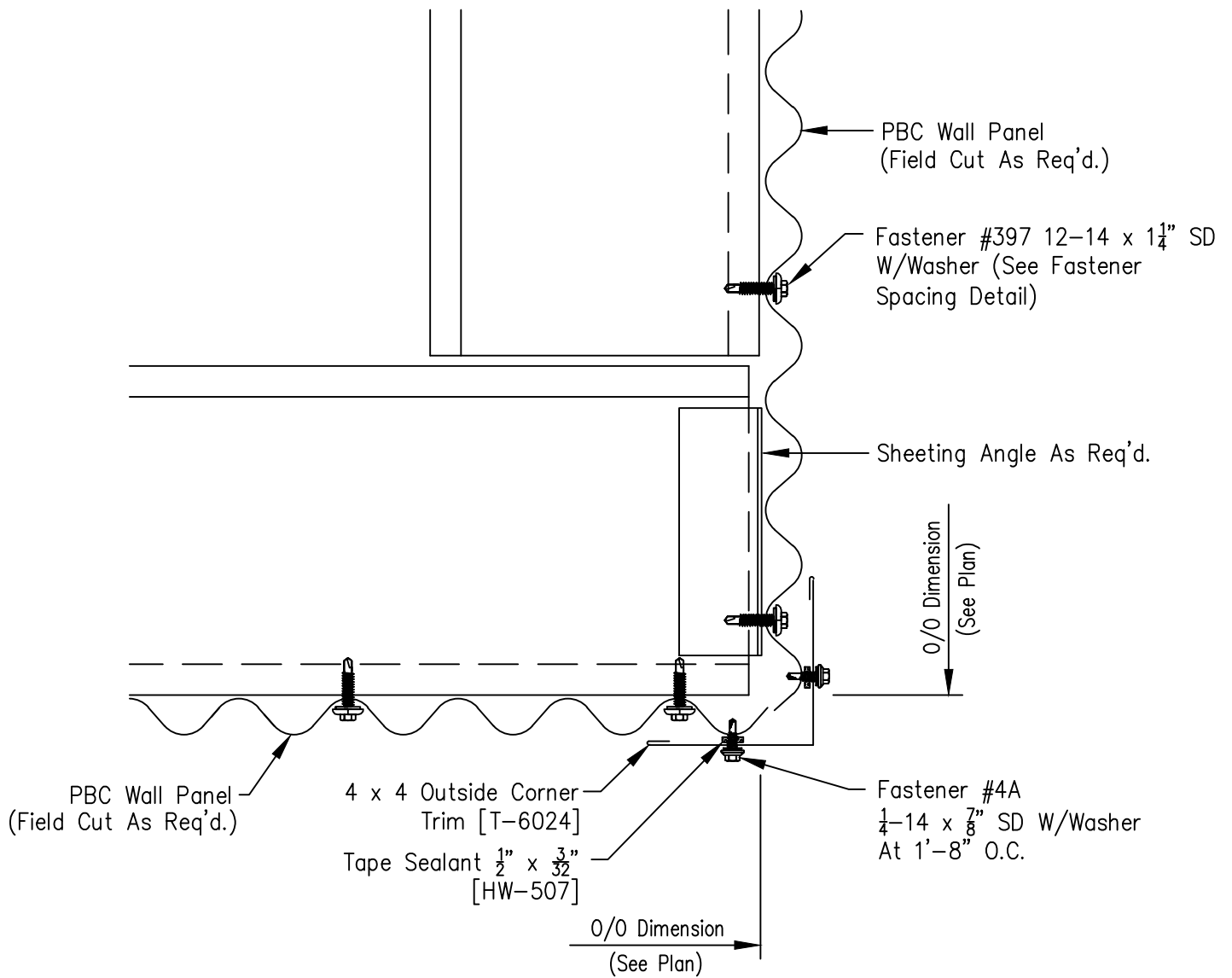






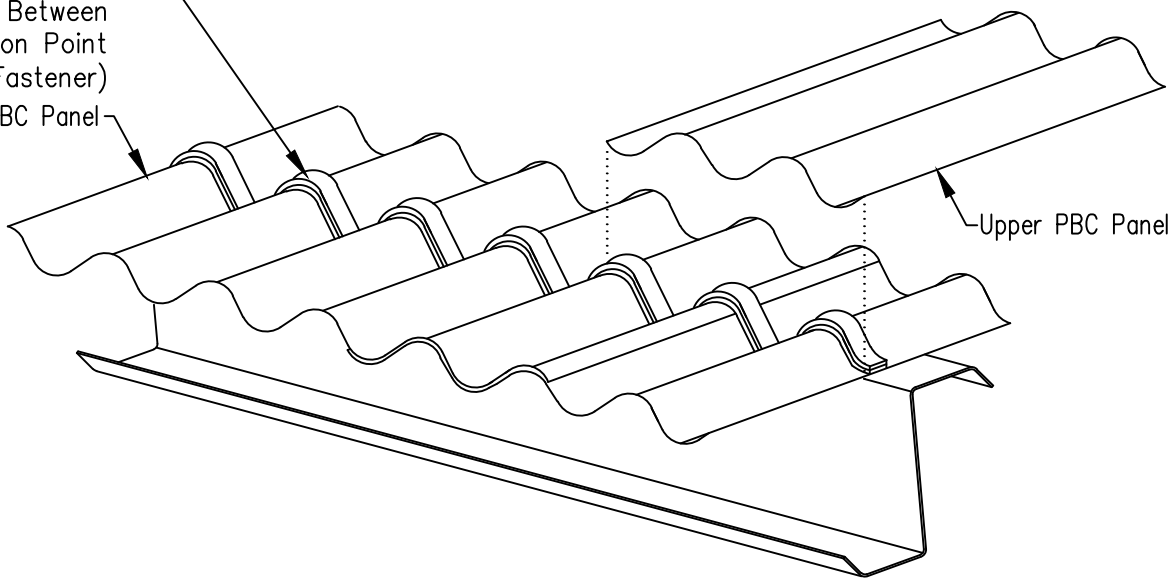






(2) Runs Tape Sealant
 $\frac{1}{2}$ " x $\frac{3}{32}$ " [HW-507] (Must
 Be Installed Between
 Weather Infiltration Point
 And Fastener)

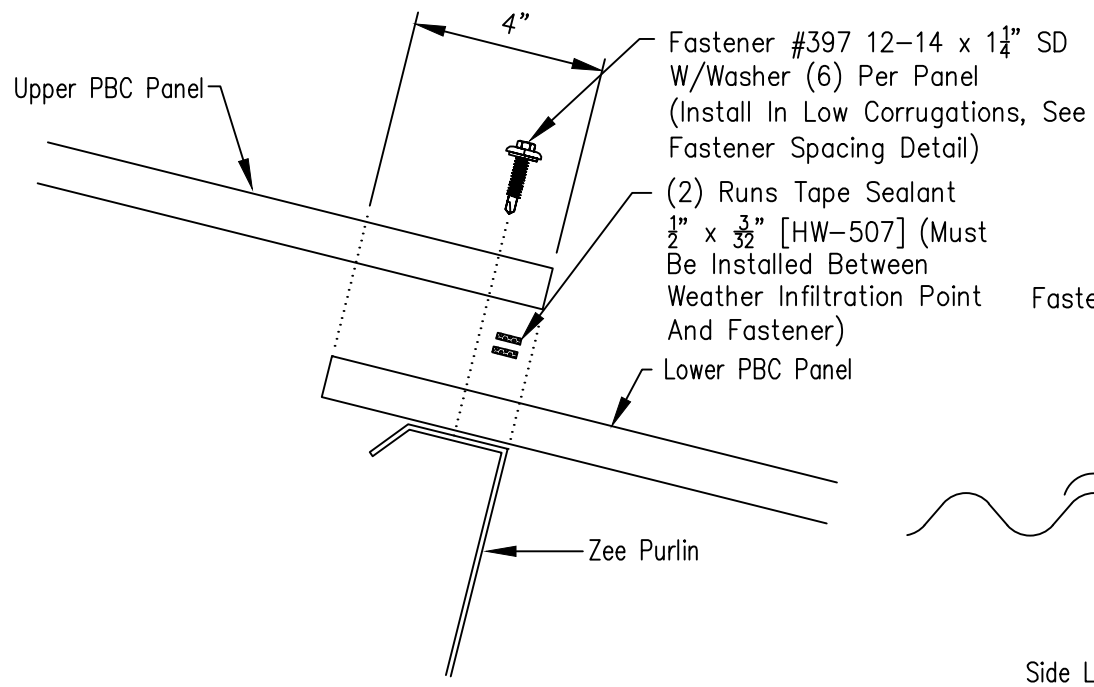
Lower PBC Panel



Upper PBC Panel

Endlap Sealant Detail

12
 (3:12 Min.)



Fastener #397 12-14 x $1\frac{1}{4}$ " SD
 W/Washer (6) Per Panel
 (Install In Low Corrugations, See
 Fastener Spacing Detail)

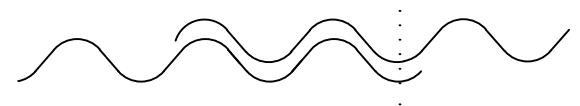
(2) Runs Tape Sealant
 $\frac{1}{2}$ " x $\frac{3}{32}$ " [HW-507] (Must
 Be Installed Between
 Weather Infiltration Point
 And Fastener)

Lower PBC Panel

Zee Purlin

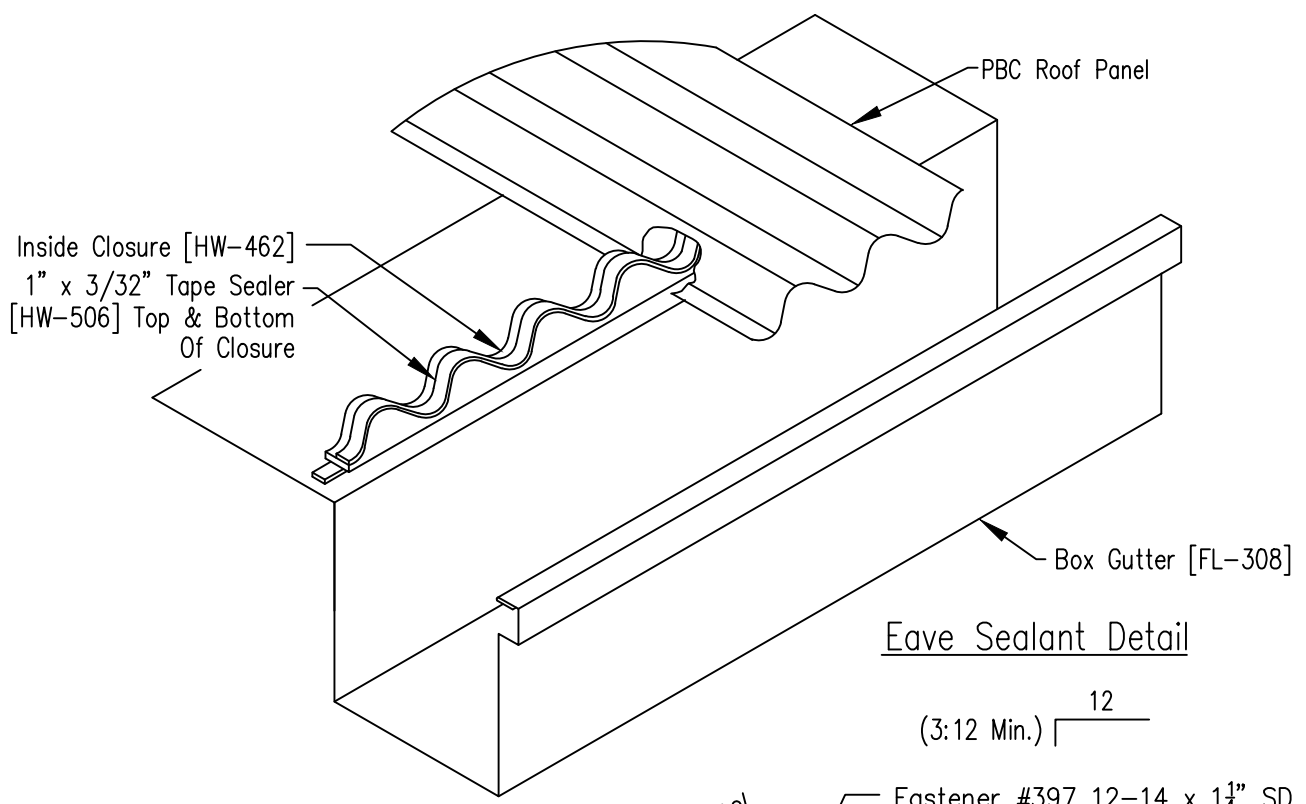
Endlap

Fastener #397



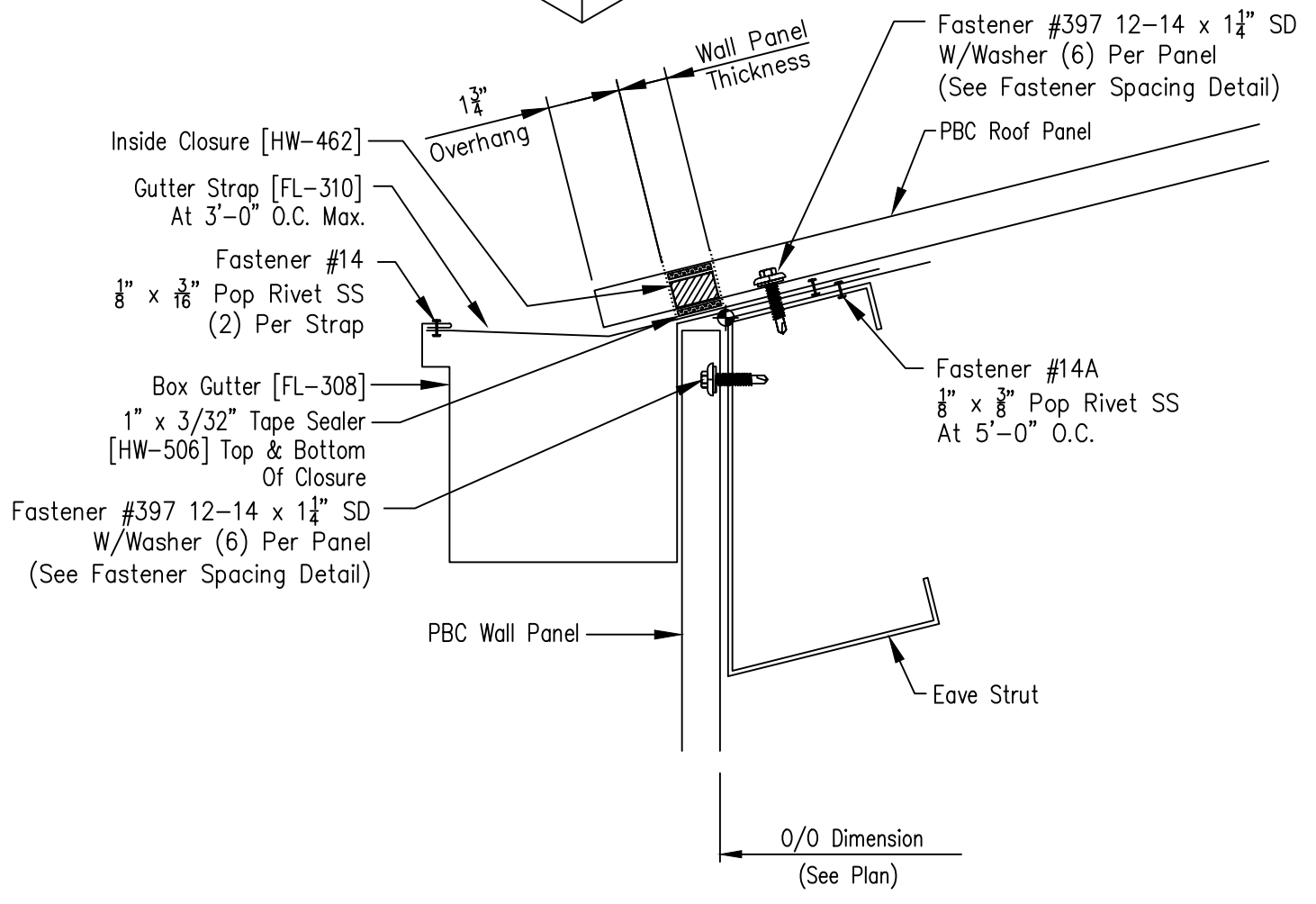
Sidelap

Side Lap Two Full Corrugations
 Note That 32" Panel Coverage
 Will Be Lessened

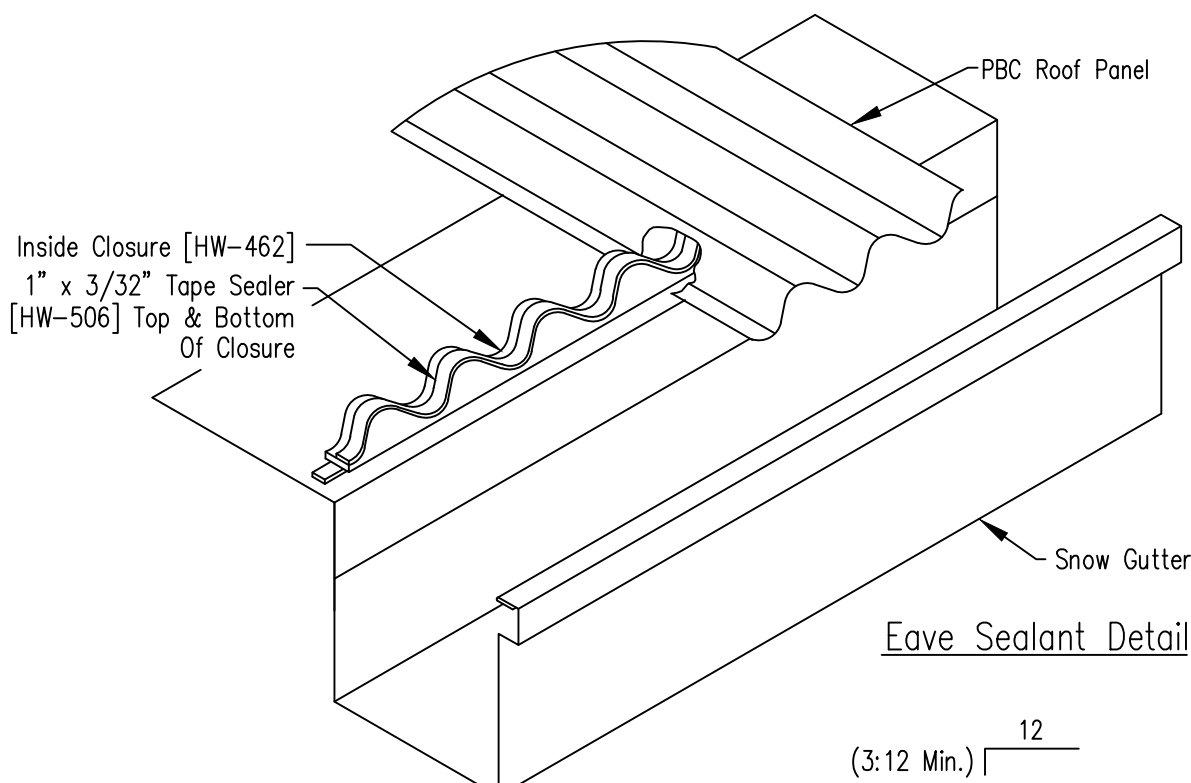


Eave Sealant Detail

(3:12 Min.) $\frac{12}{12}$

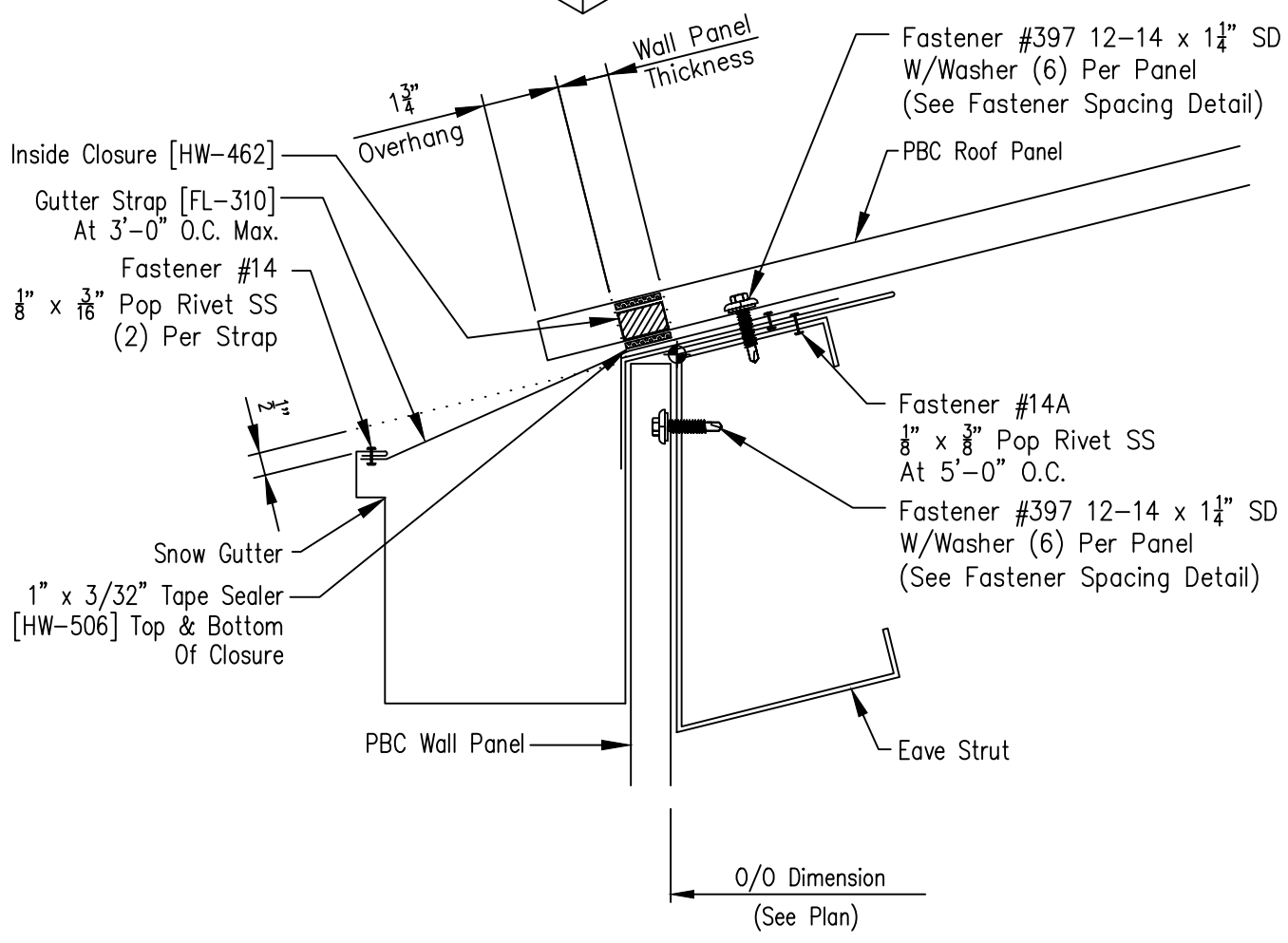


0/0 Dimension
(See Plan)

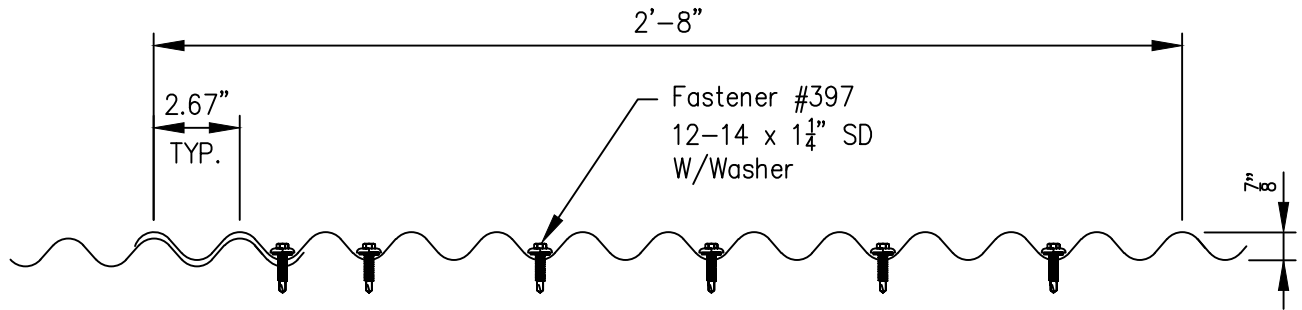


Eave Sealant Detail

12
(3:12 Min.)

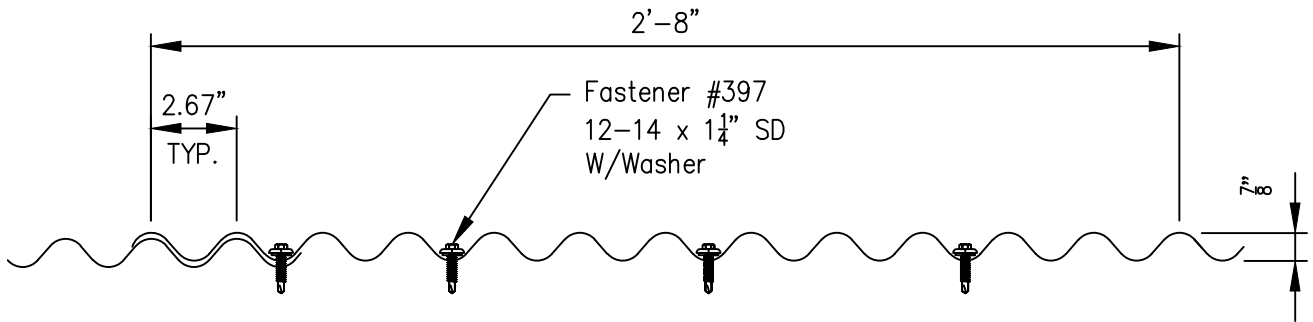


0/0 Dimension
(See Plan)

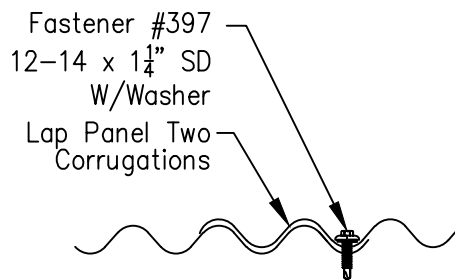


PBC Fastener Location At Panel Ends

When Used As A Roof Panel, The PBC Panel Must Be Lapped Two Corrugations (2'-8" Panel Coverage Will Be Less)

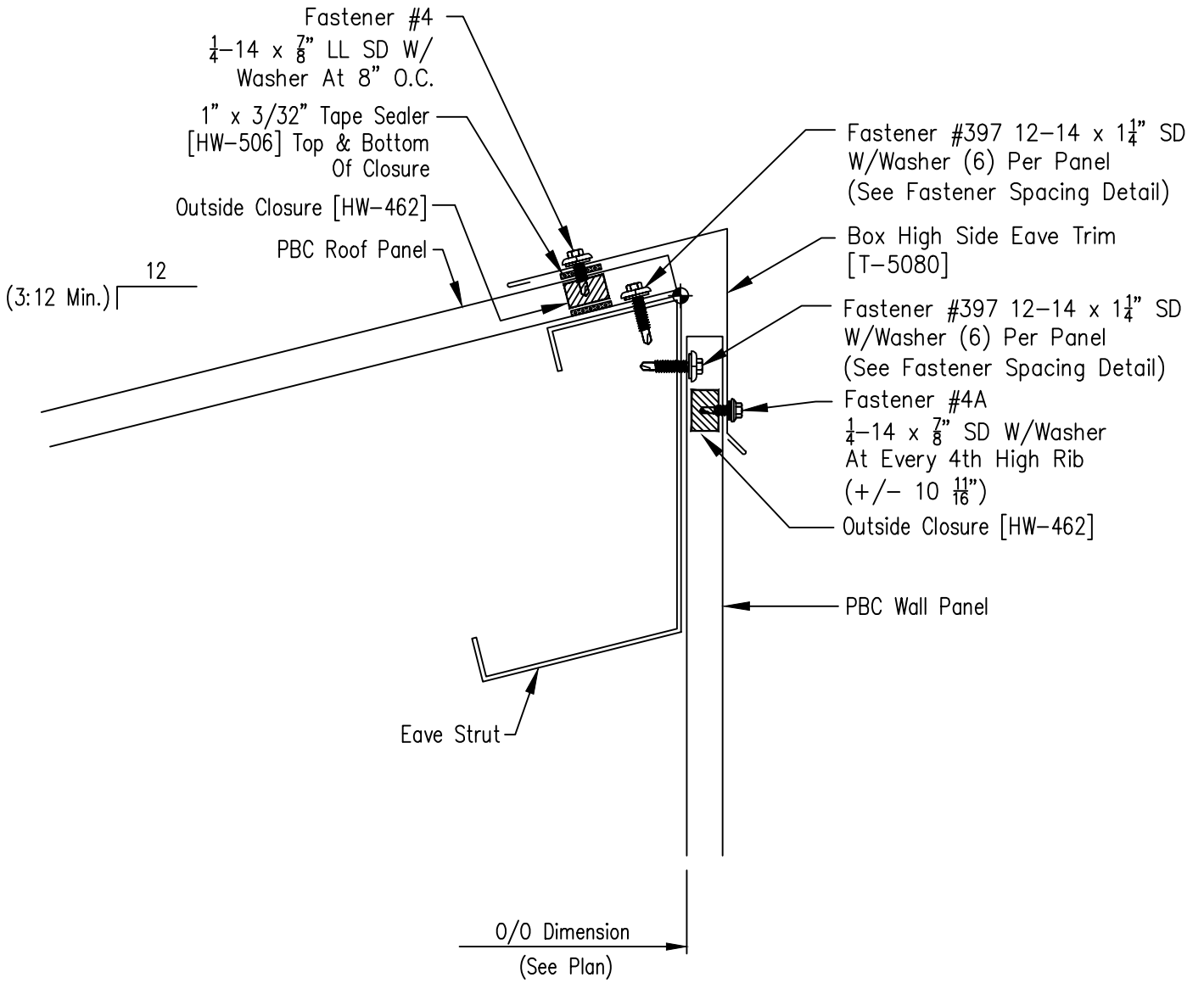


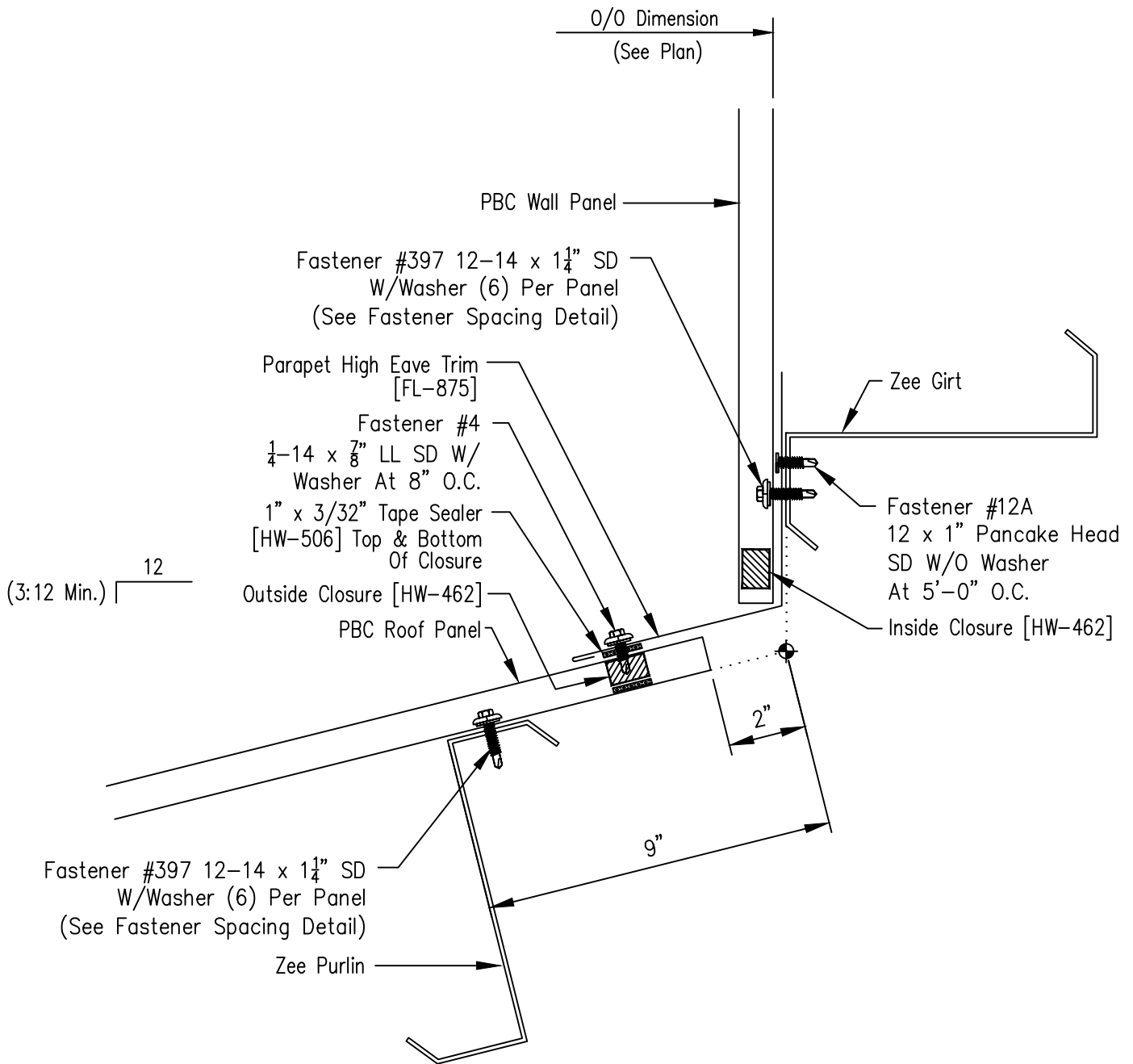
PBC Fastener Location At Intermediate Supports

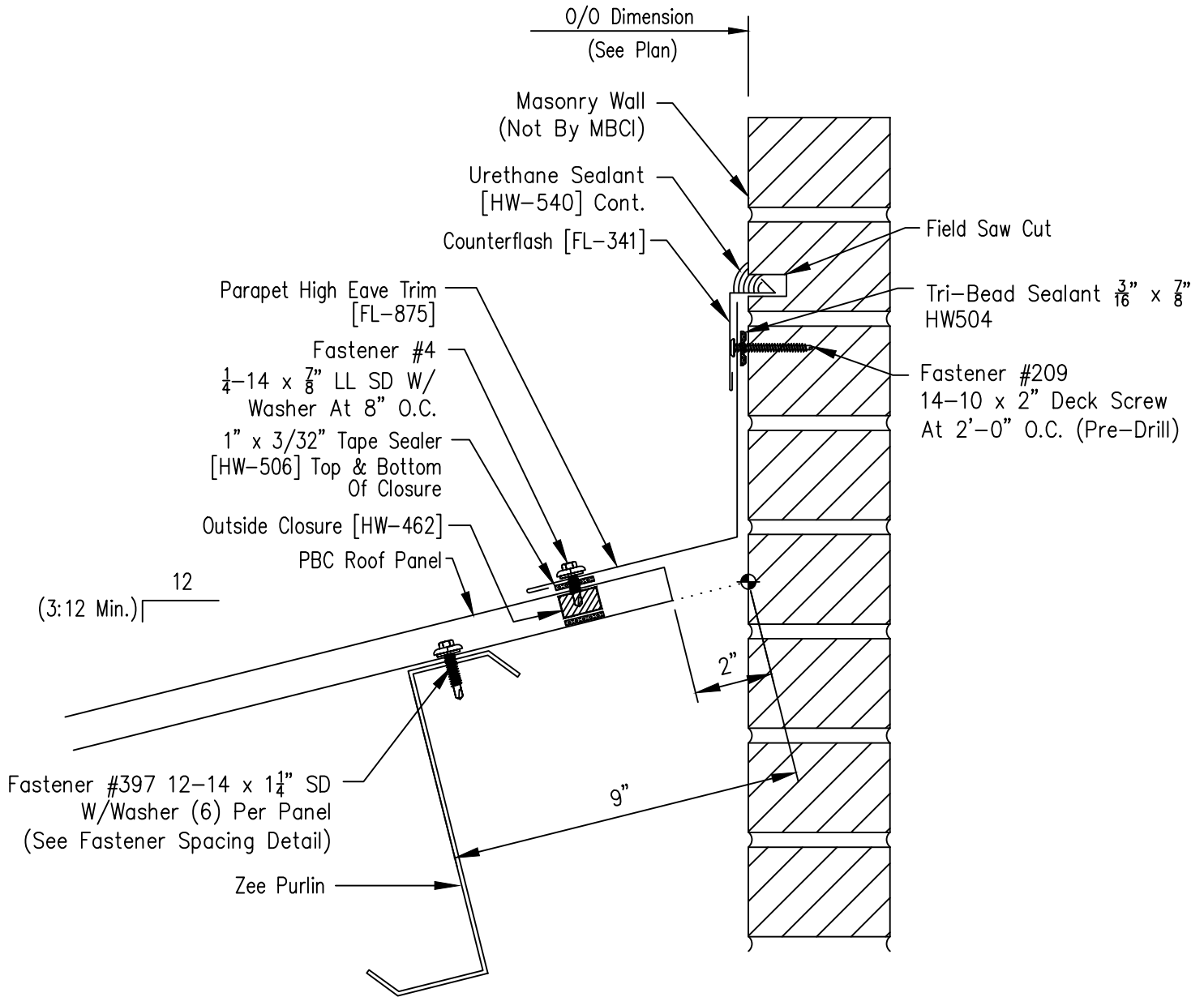


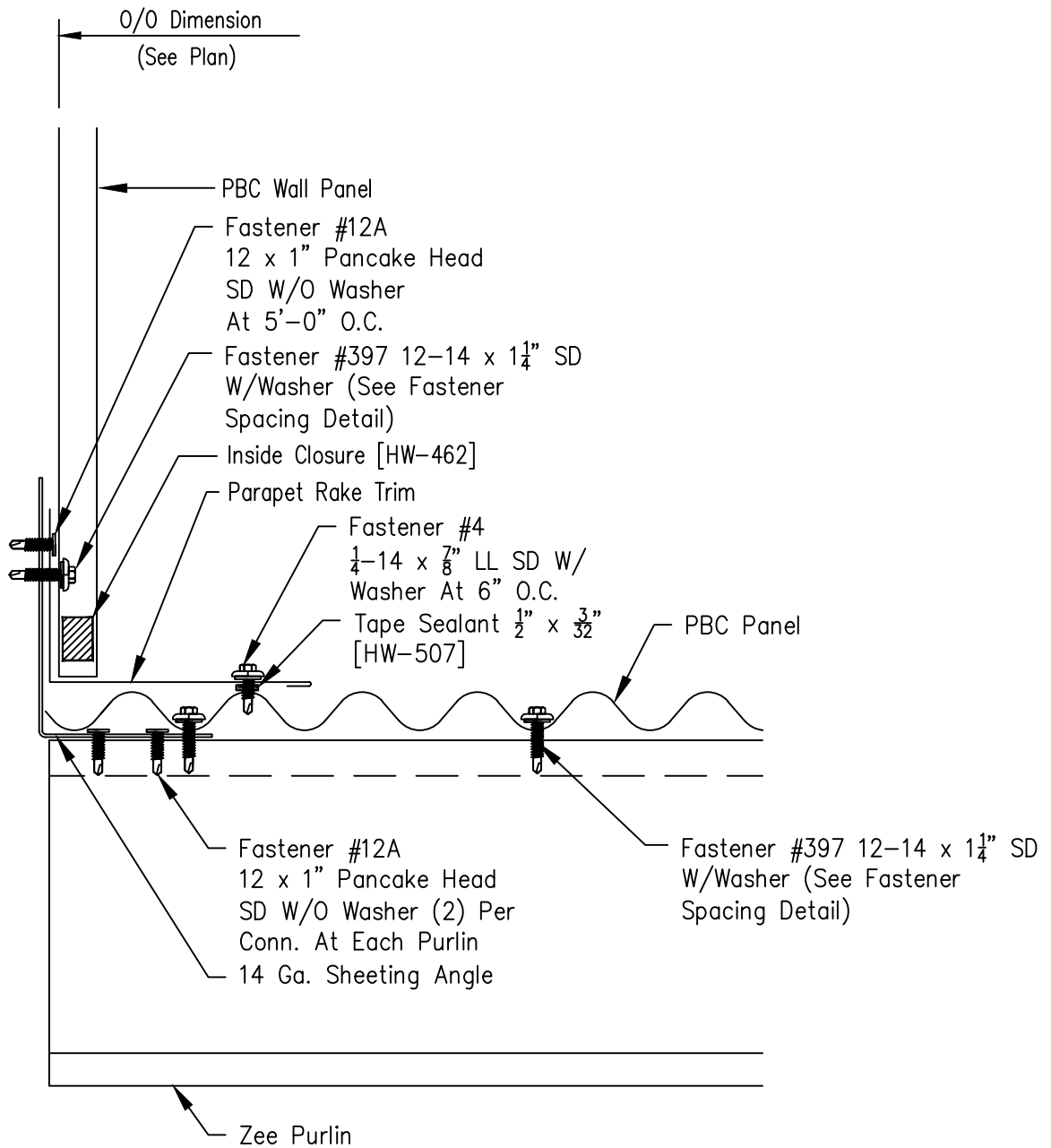
PBC Panel Sidelap

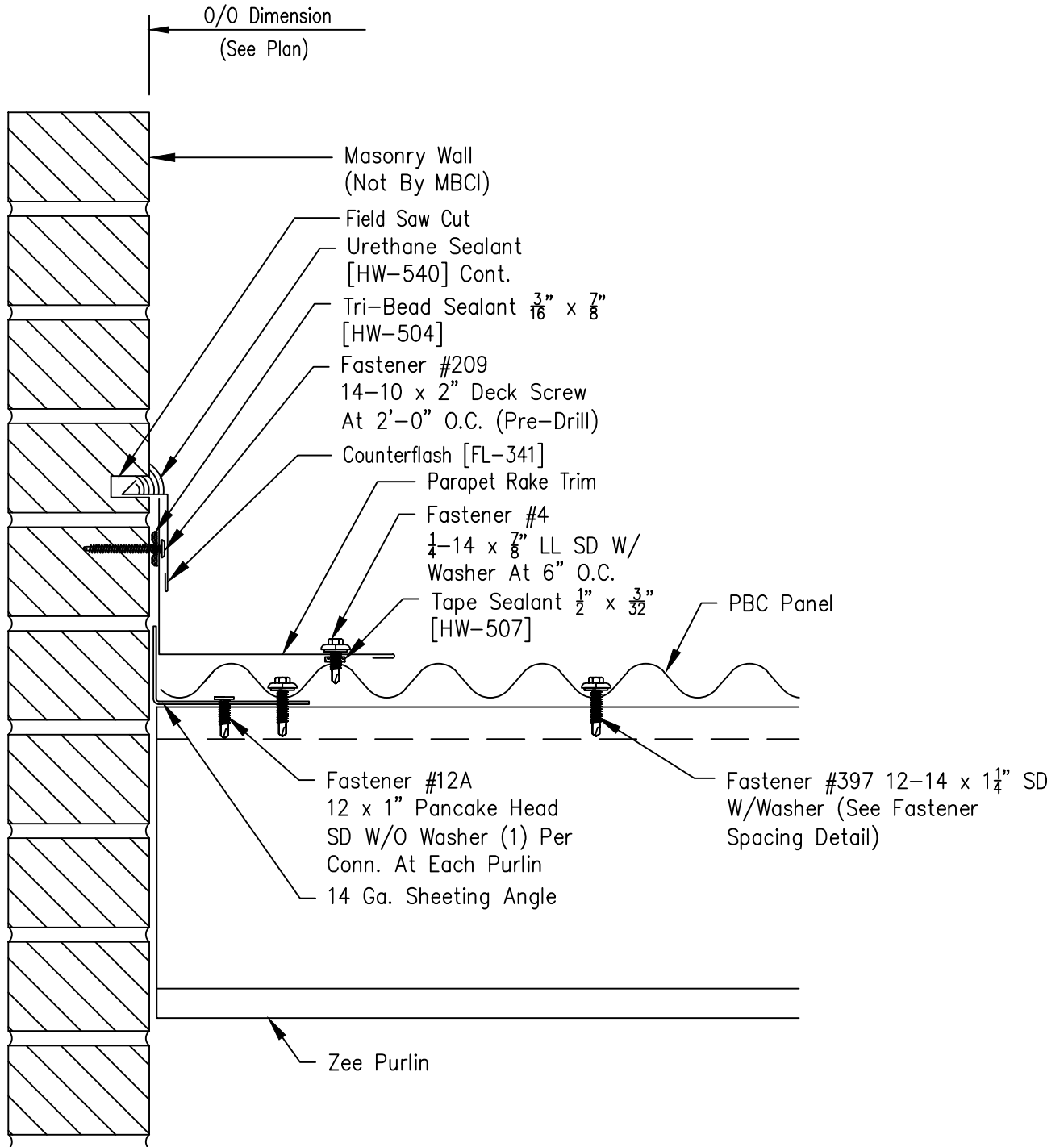
Note That 32" Panel Coverage Will Be Lessened

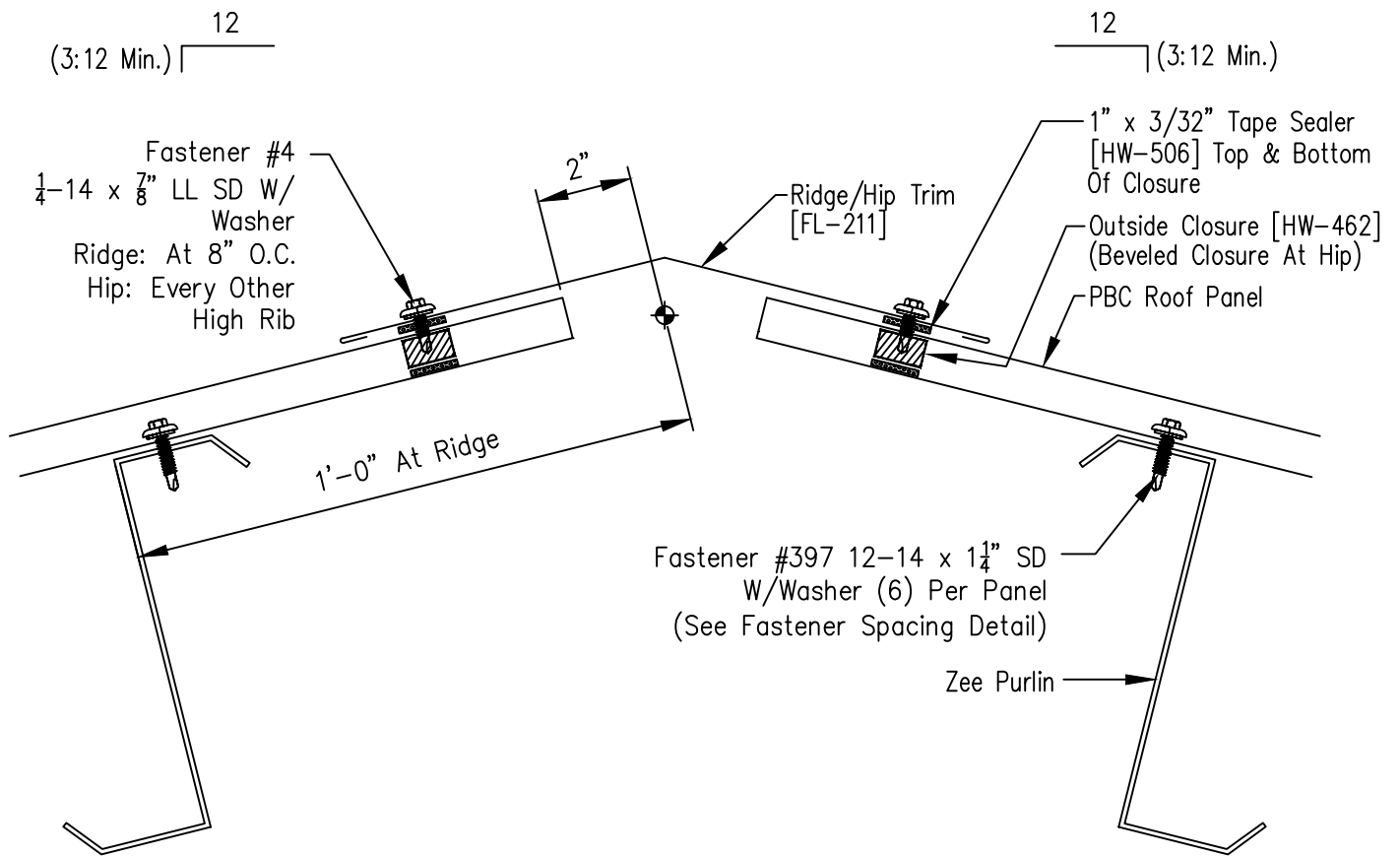


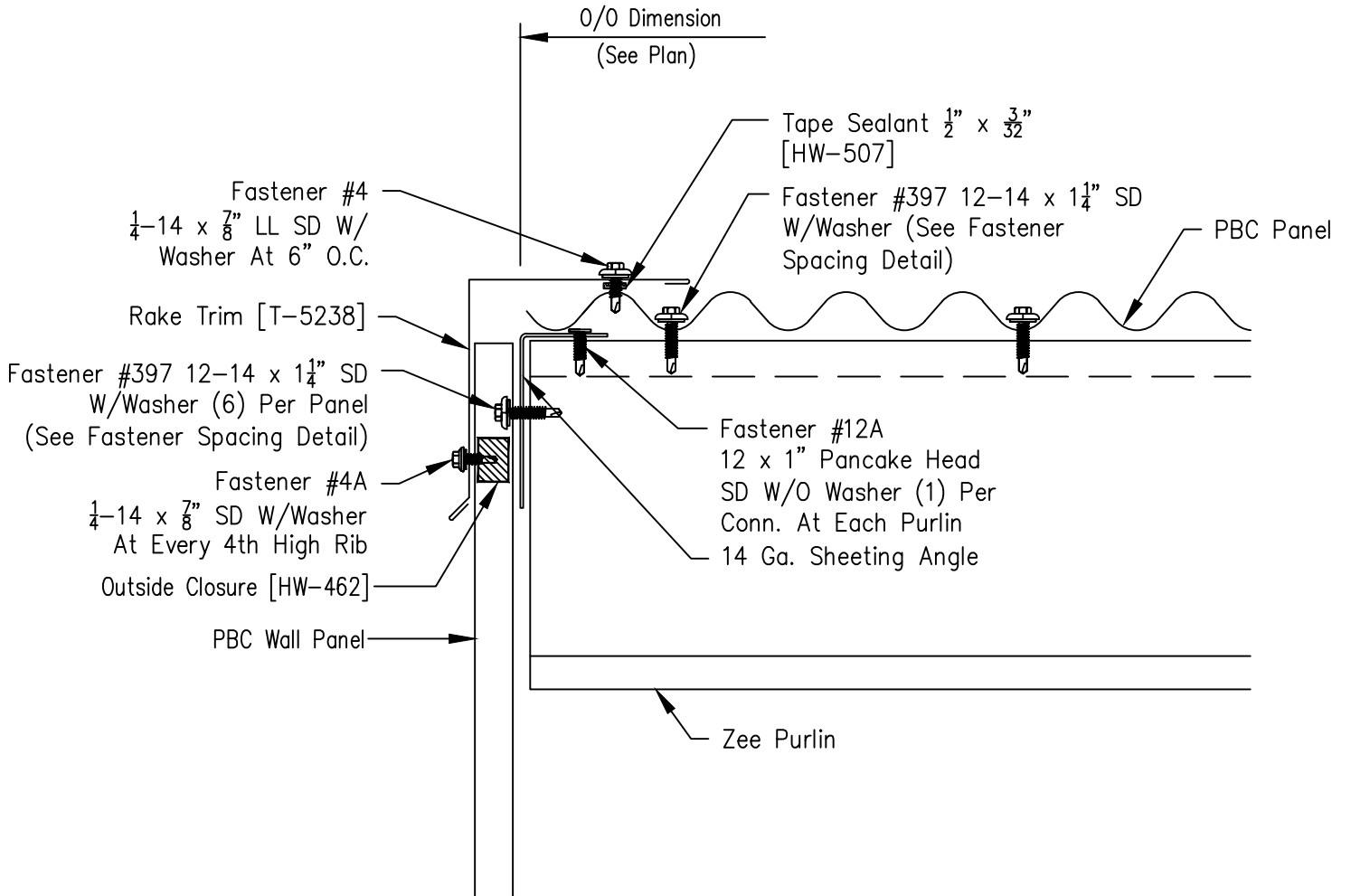


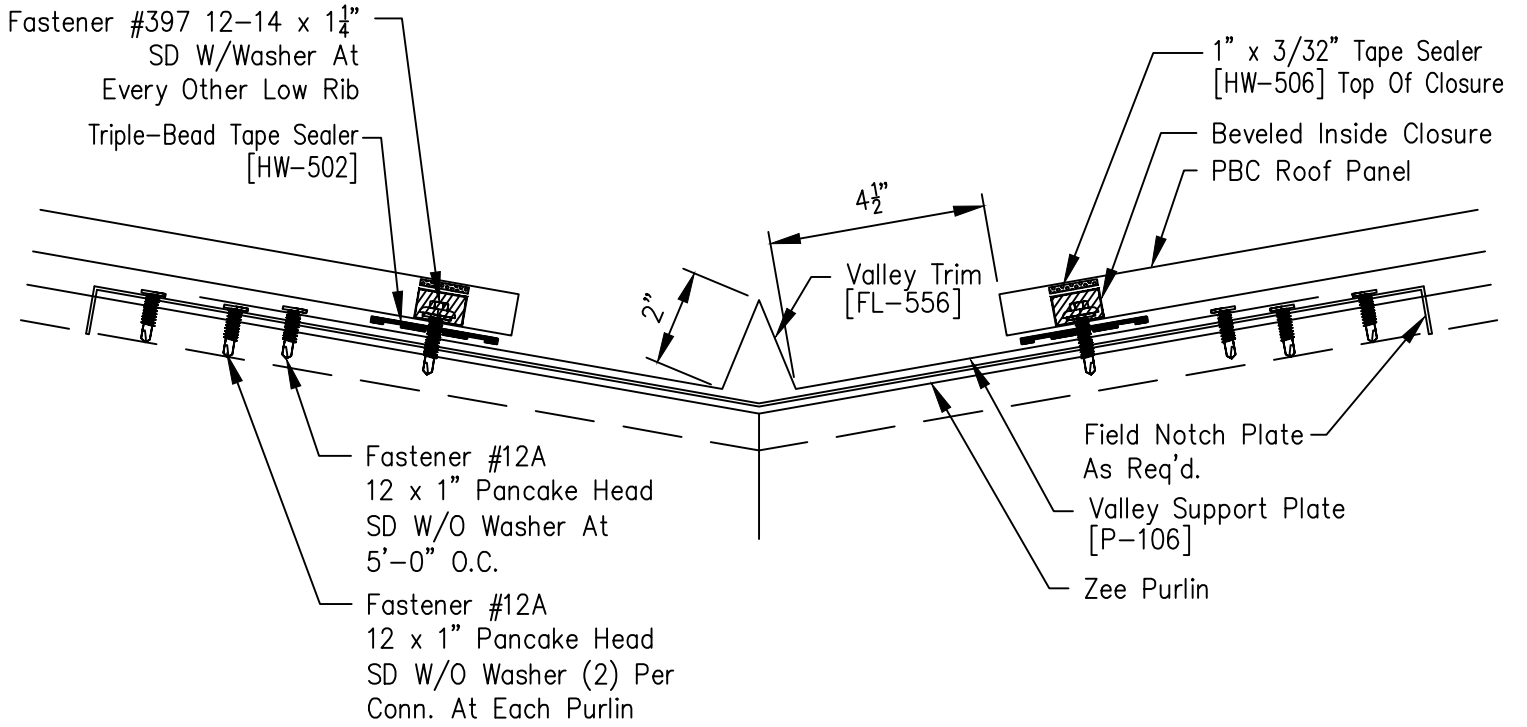


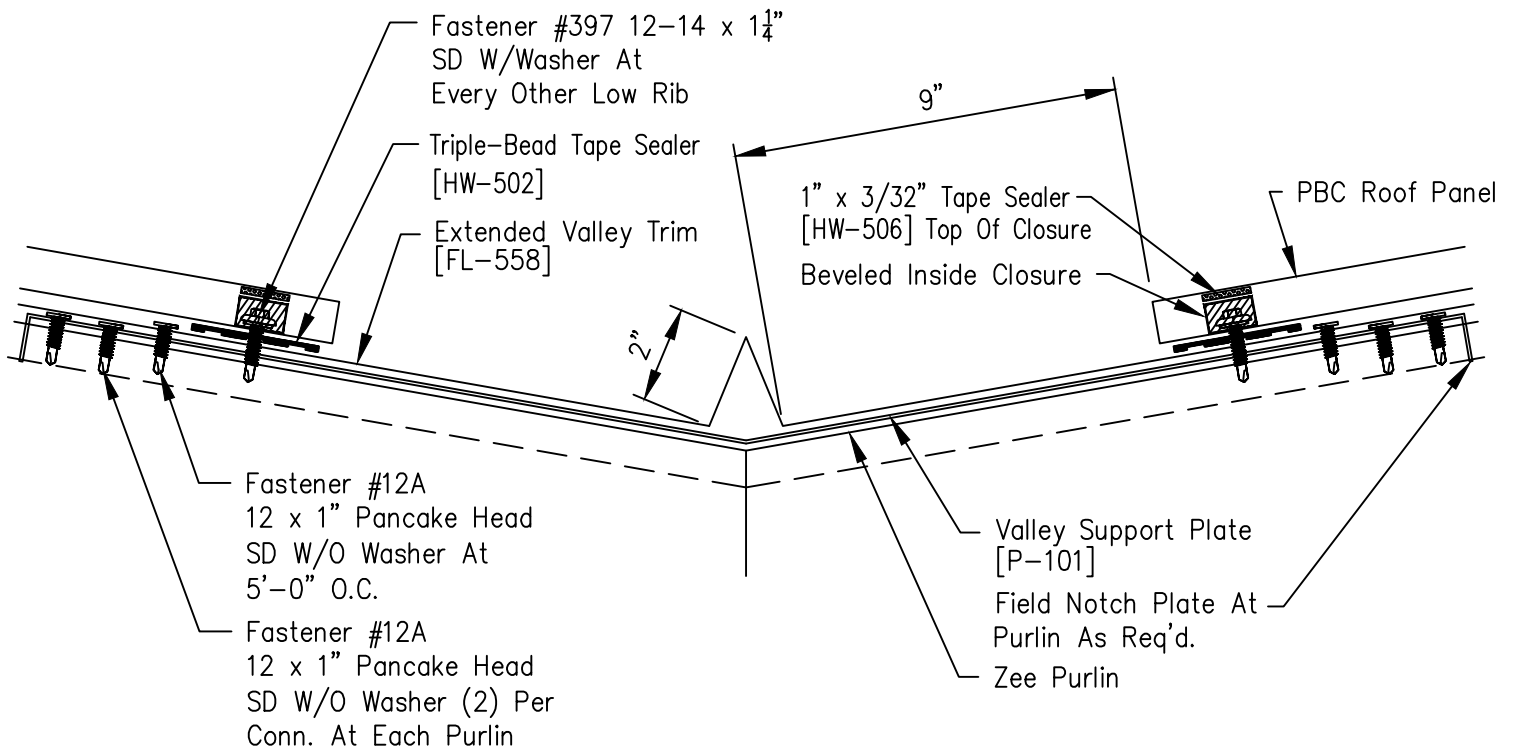


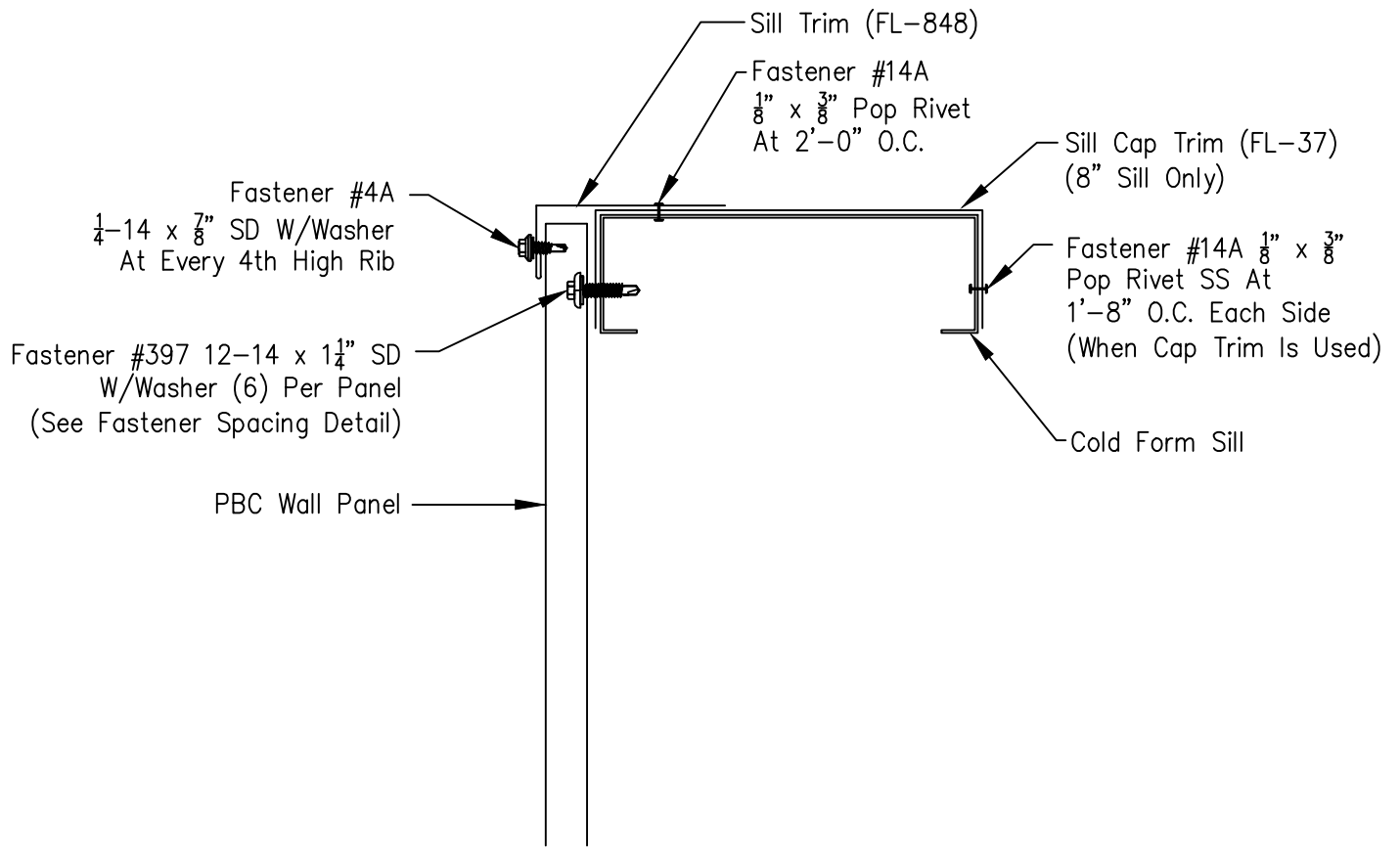


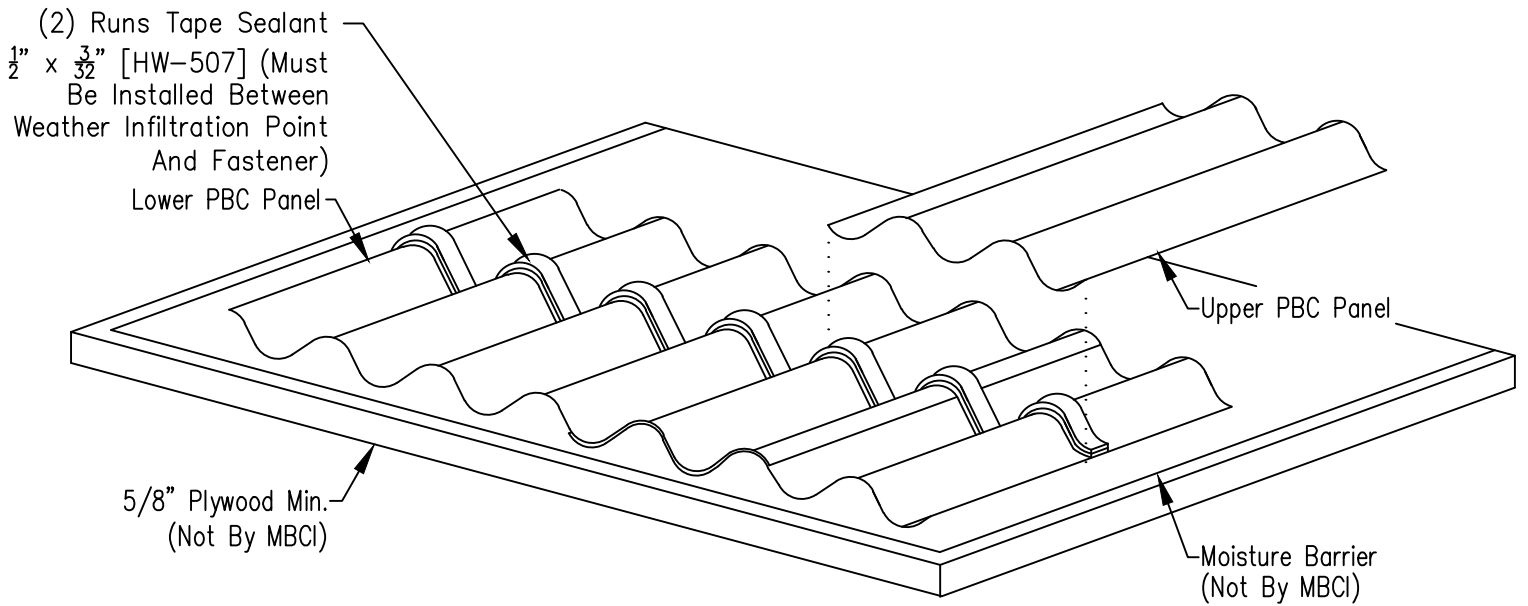




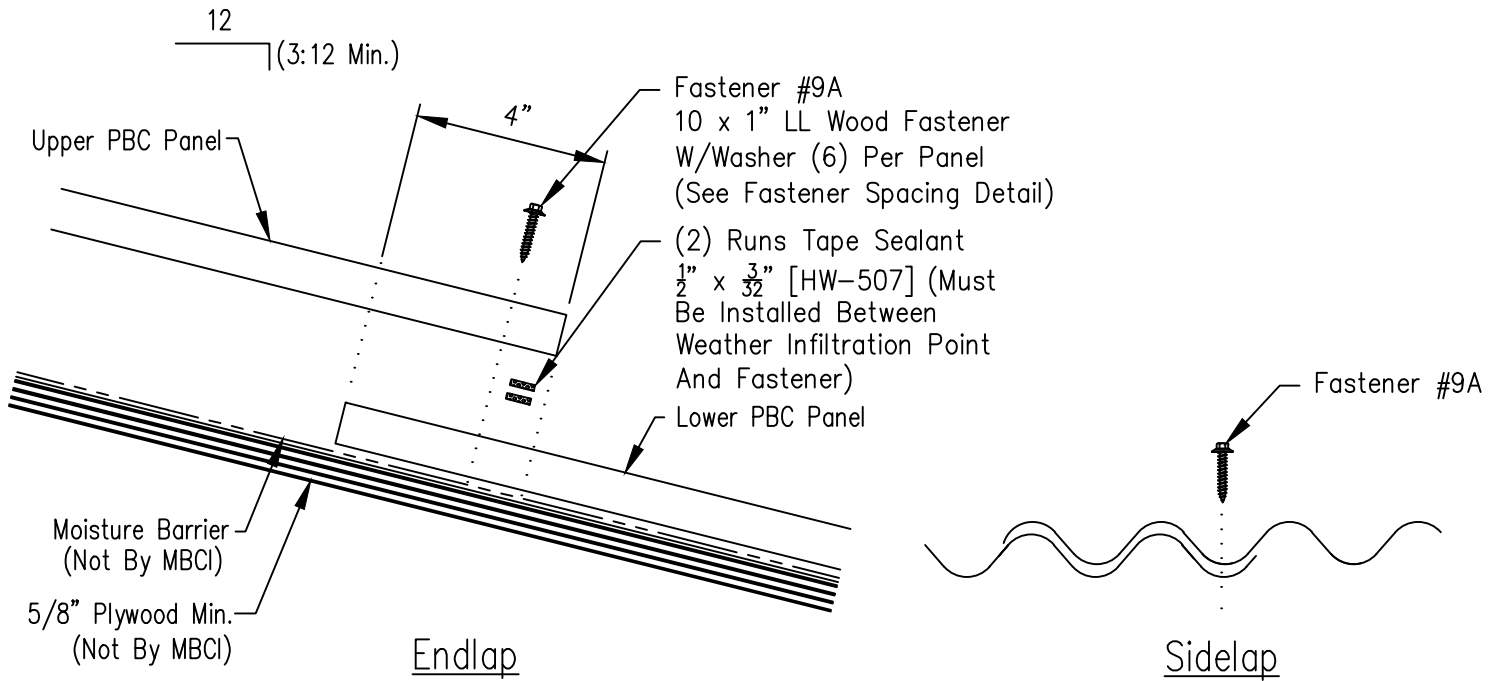




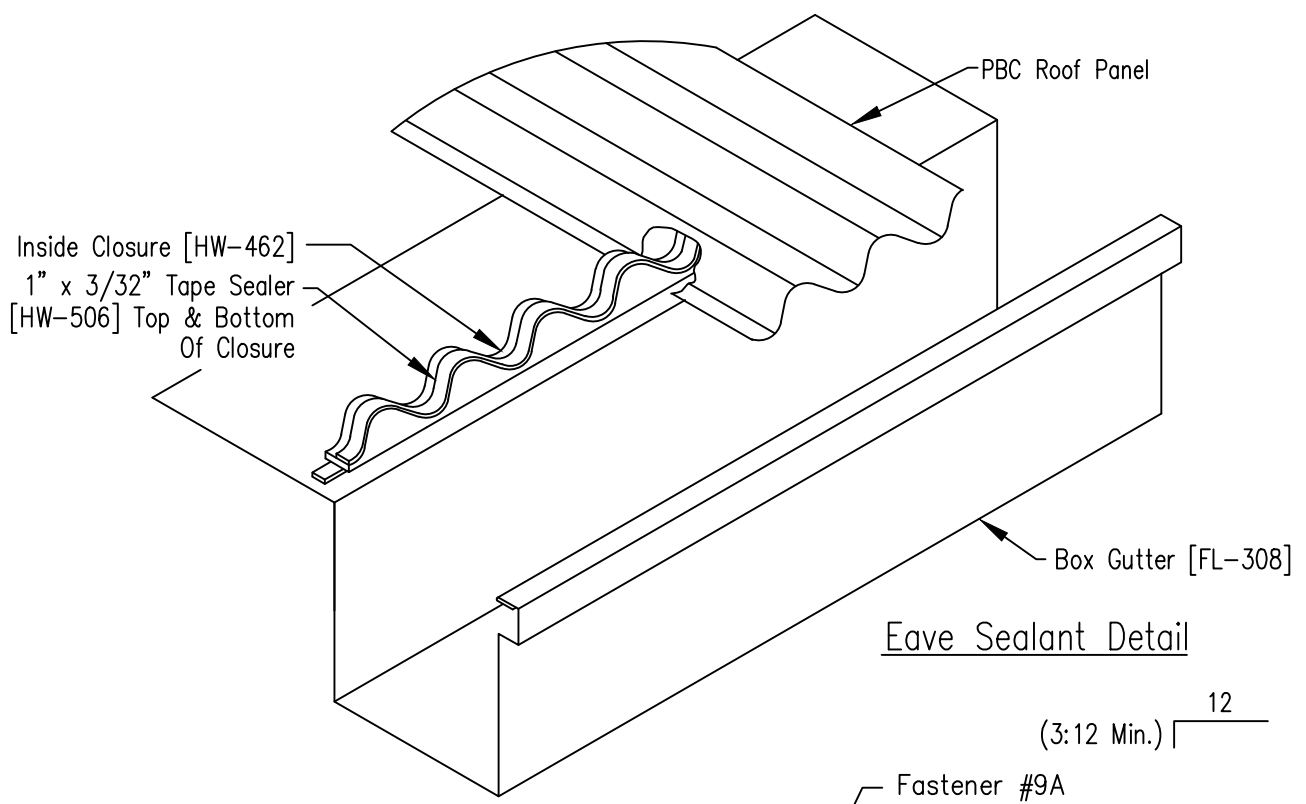




Endlap Sealant Detail

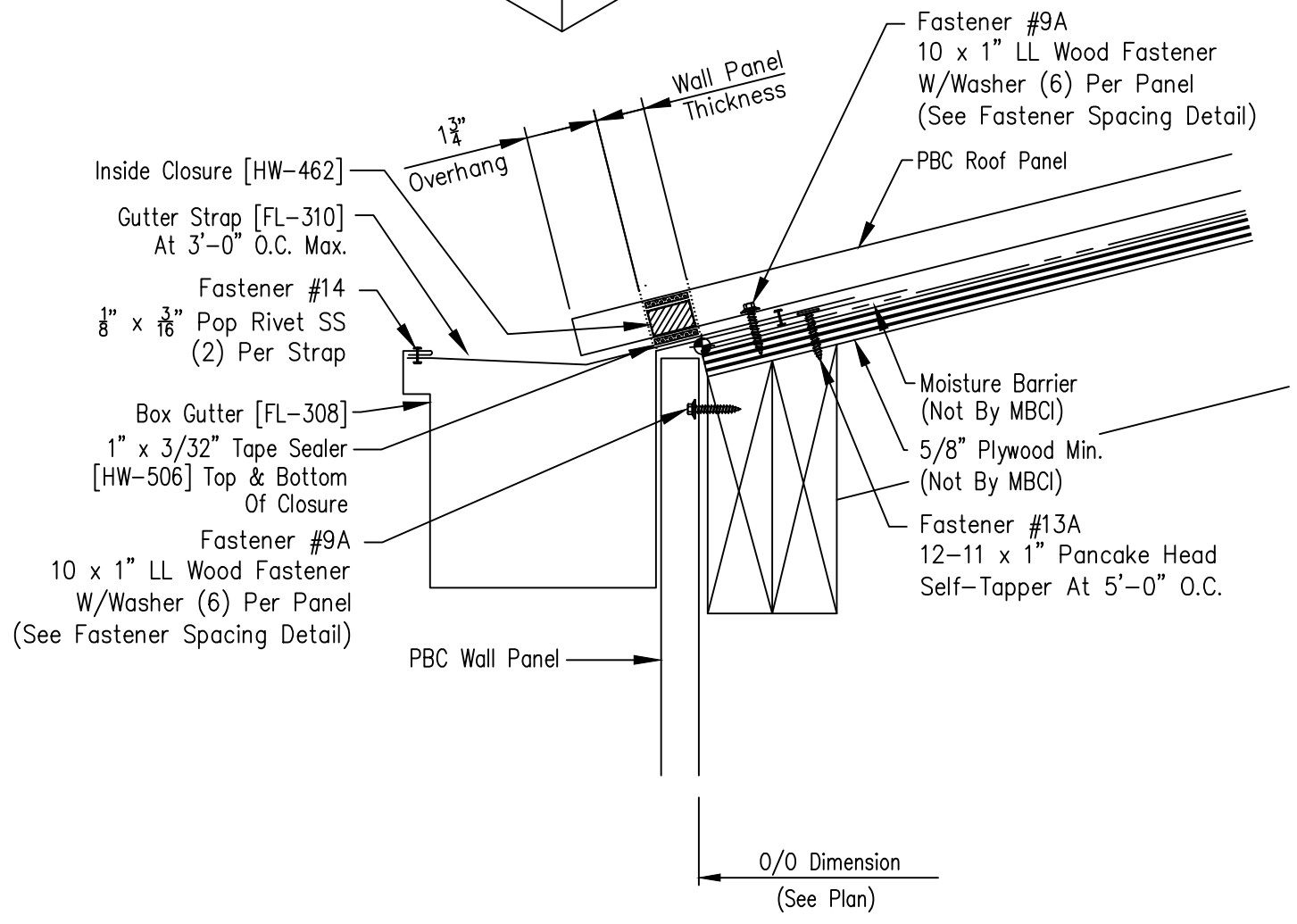


Side Lap Two Full Corrugations
Note That 32" Panel Coverage
Will Be Lessened



Eave Sealant Detail

(3:12 Min.) 12



Inside Closure [HW-462]

Gutter Strap [FL-310]
At 3'-0" O.C. Max.

Fastener #14
1" x 3/16" Pop Rivet SS
(2) Per Strap

Box Gutter [FL-308]
1" x 3/32" Tape Sealer
[HW-506] Top & Bottom
Of Closure

Fastener #9A
10 x 1" LL Wood Fastener
W/Washer (6) Per Panel
(See Fastener Spacing Detail)

PBC Wall Panel

1 3/4"
Overhang

Wall Panel
Thickness

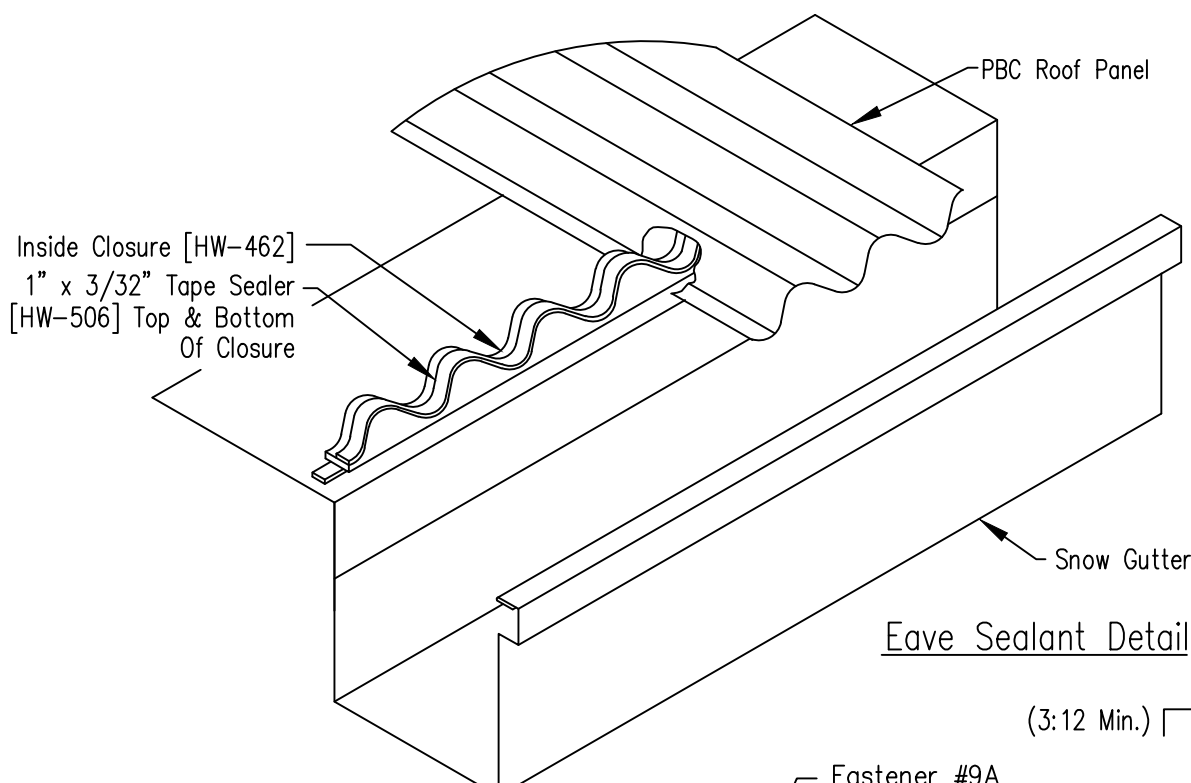
Fastener #9A
10 x 1" LL Wood Fastener
W/Washer (6) Per Panel
(See Fastener Spacing Detail)

PBC Roof Panel

Moisture Barrier
(Not By MBCI)
5/8" Plywood Min.
(Not By MBCI)

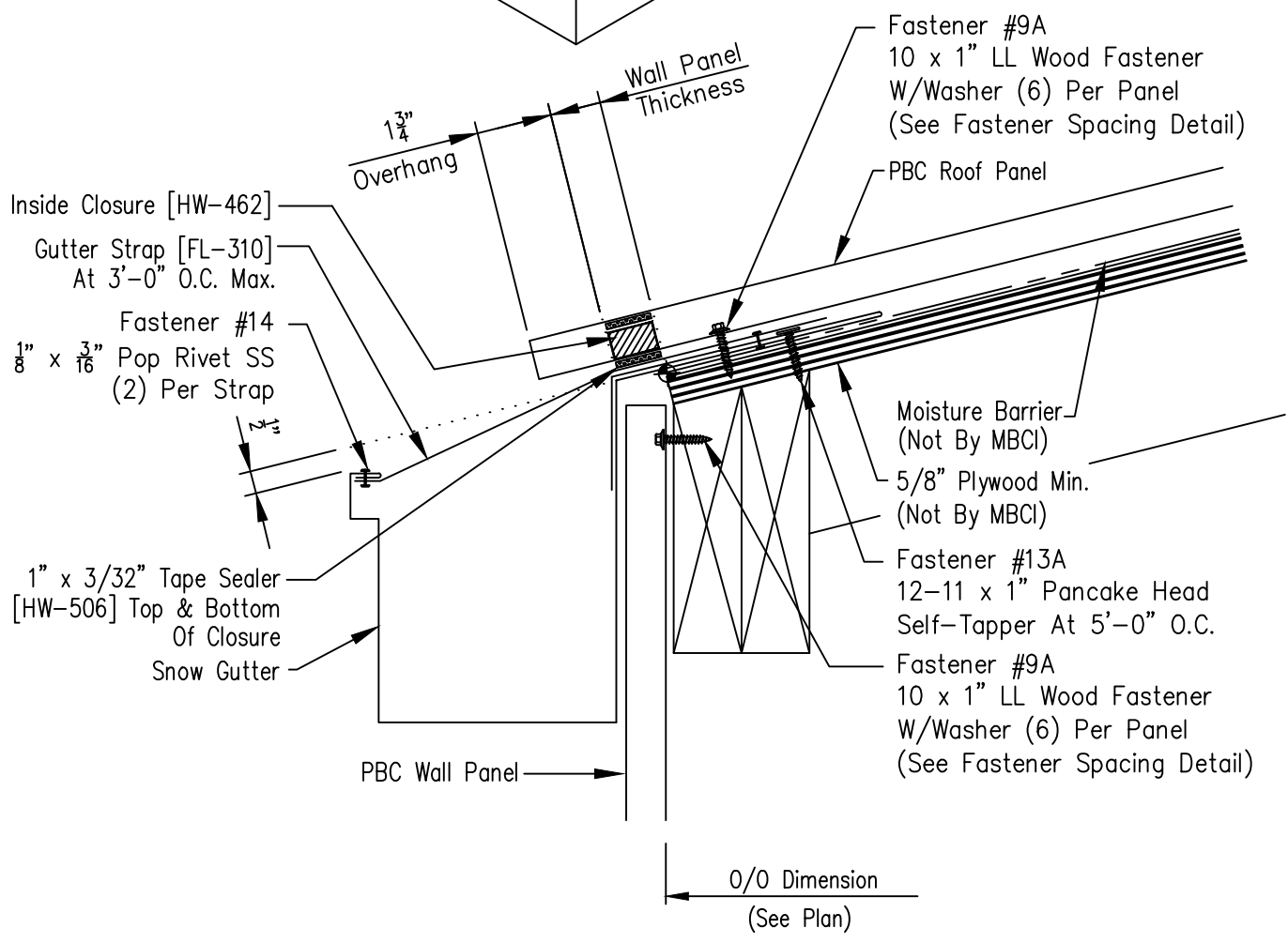
Fastener #13A
12-11 x 1" Pancake Head
Self-Tapper At 5'-0" O.C.

O/O Dimension
(See Plan)



Eave Sealant Detail

(3:12 Min.) 12



Inside Closure [HW-462]
Gutter Strap [FL-310]
At 3'-0" O.C. Max.

Fastener #14
 $\frac{1}{8}$ " x $\frac{3}{16}$ " Pop Rivet SS
(2) Per Strap

1" x $\frac{3}{32}$ " Tape Sealer
[HW-506] Top & Bottom
Of Closure
Snow Gutter

$1\frac{3}{4}$ "
Overhang
Wall Panel
Thickness

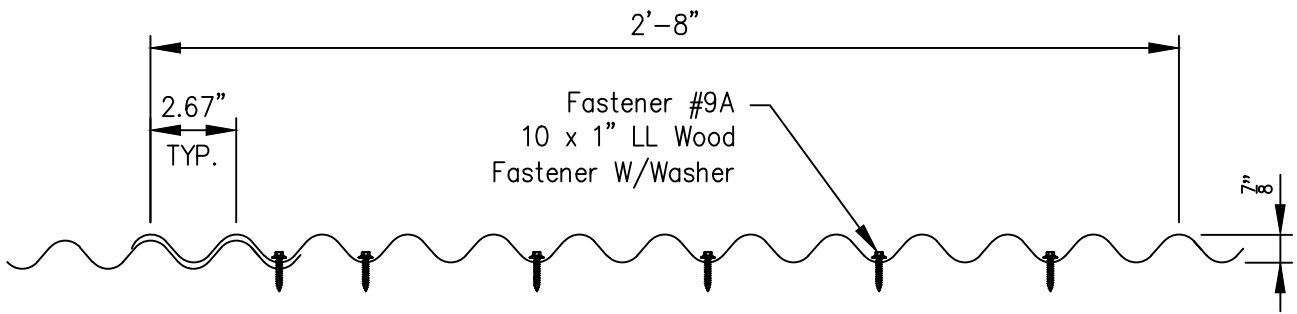
Fastener #9A
10 x 1" LL Wood Fastener
W/Washer (6) Per Panel
(See Fastener Spacing Detail)

Moisture Barrier
(Not By MBCI)
5/8" Plywood Min.
(Not By MBCI)

Fastener #13A
12-11 x 1" Pancake Head
Self-Tapper At 5'-0" O.C.

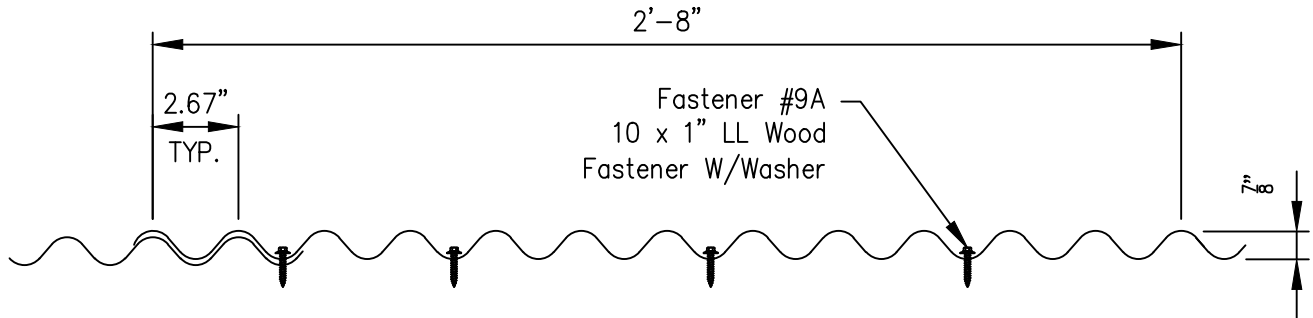
Fastener #9A
10 x 1" LL Wood Fastener
W/Washer (6) Per Panel
(See Fastener Spacing Detail)

0/0 Dimension
(See Plan)

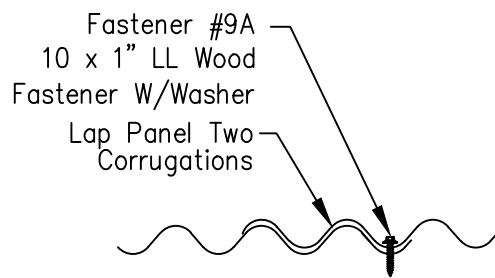


PBC Fastener Location At Panel Ends

When Used As A Roof Panel, The PBC Panel Must Be Lapped Two Corrugations (2'-8" Panel Coverage Will Be Less)

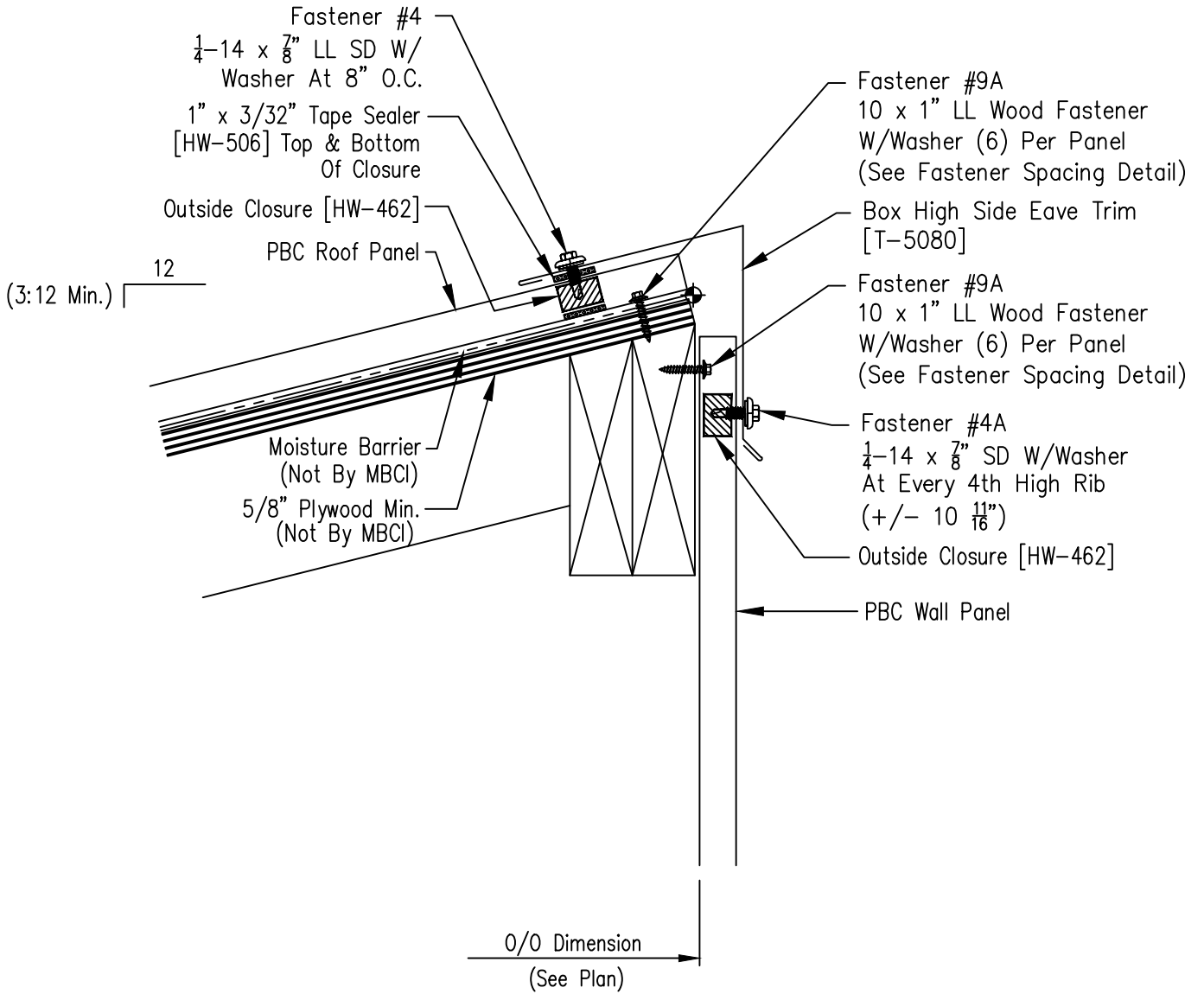


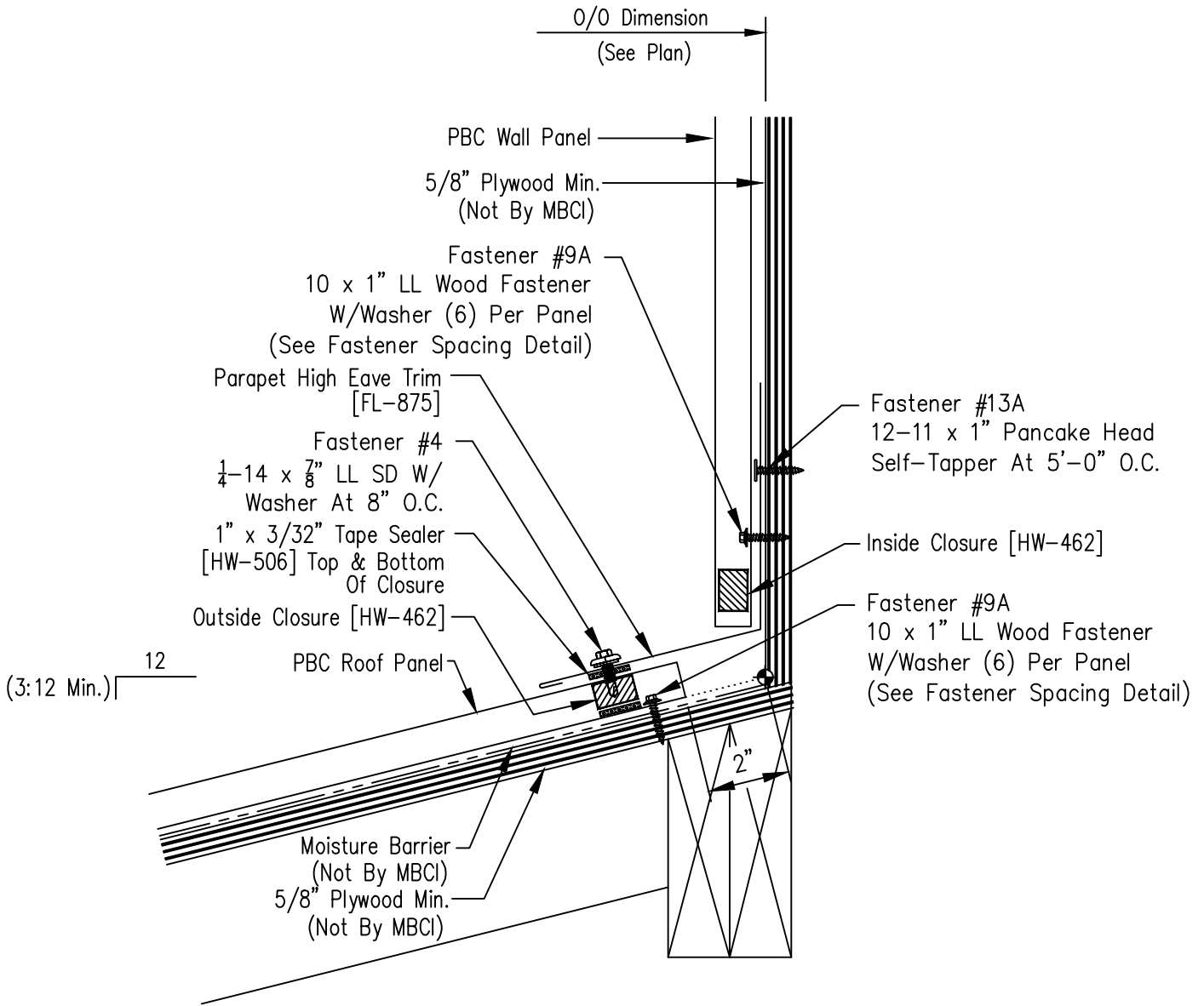
PBC Fastener Location At Intermediate Locations

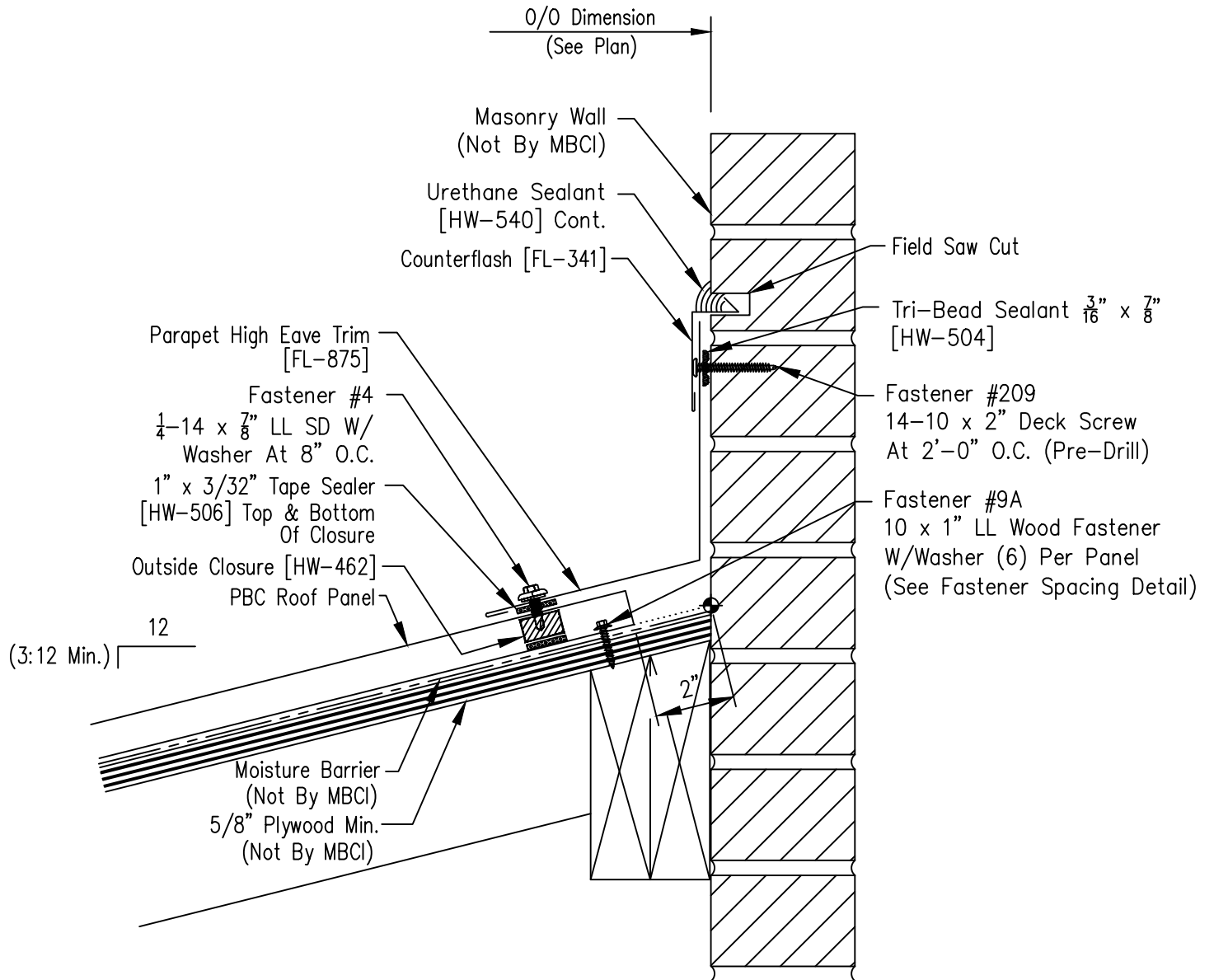


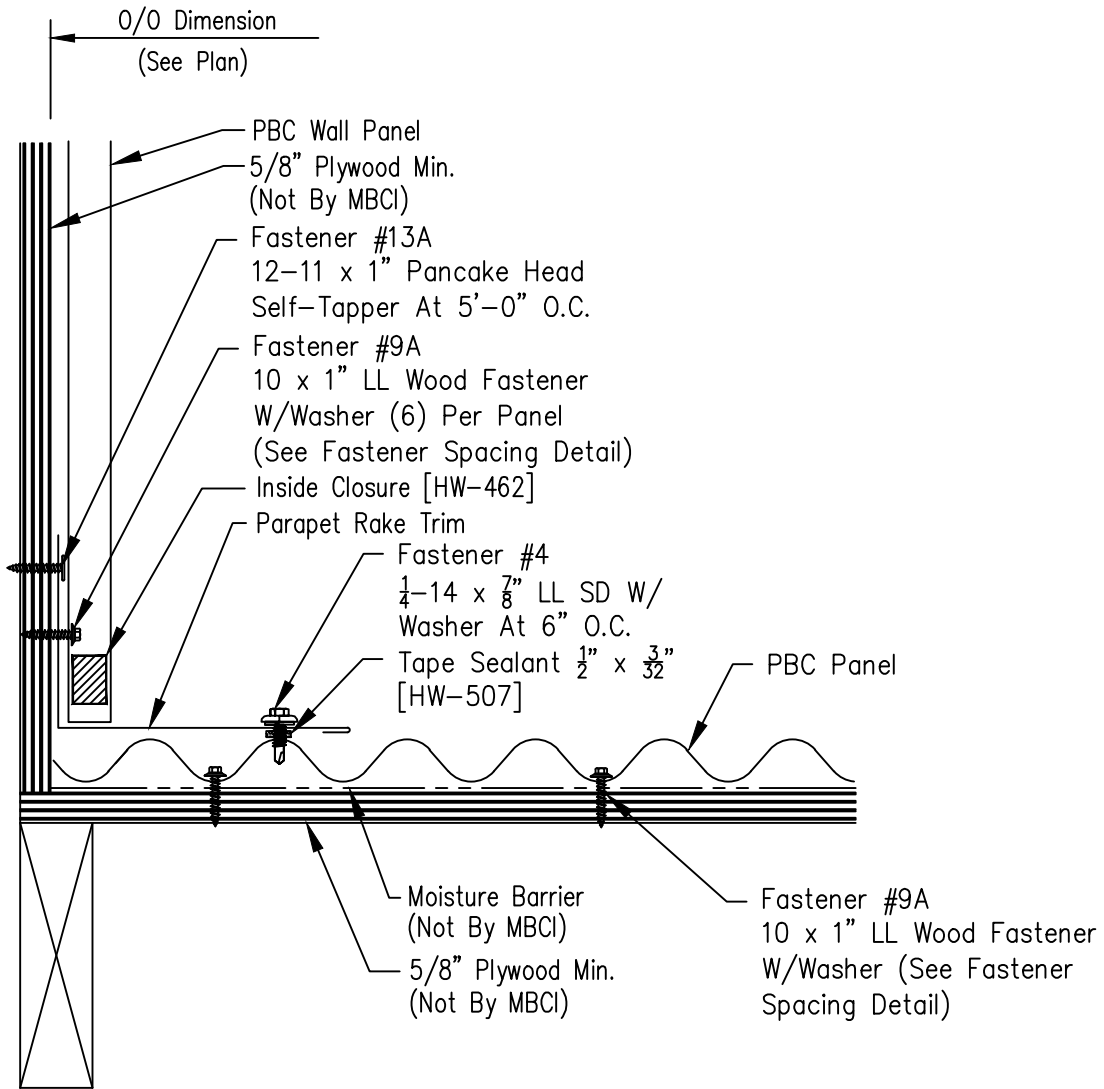
PBC Panel Sidelap

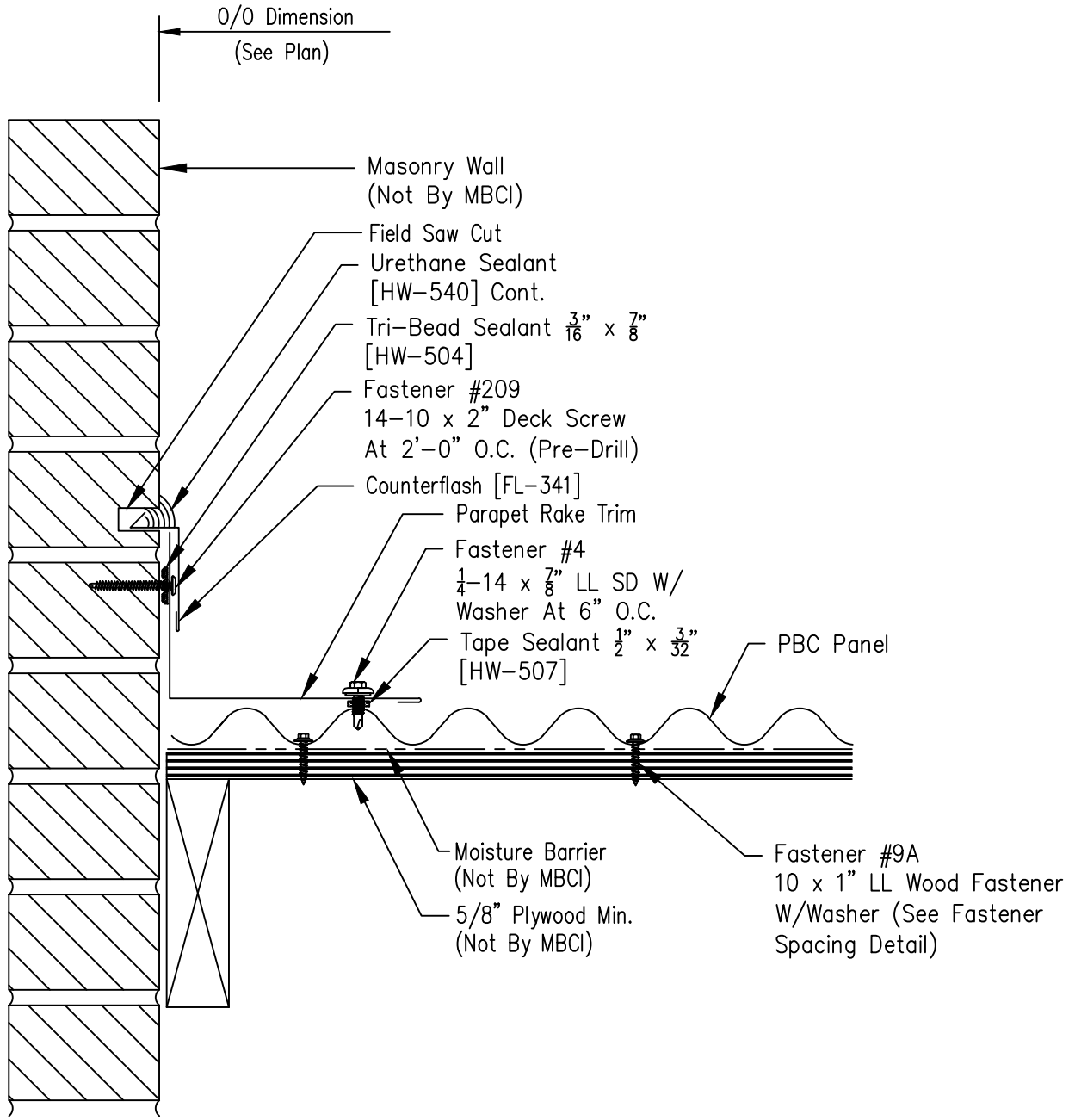
Note That 32" Panel Coverage Will Be Lessened

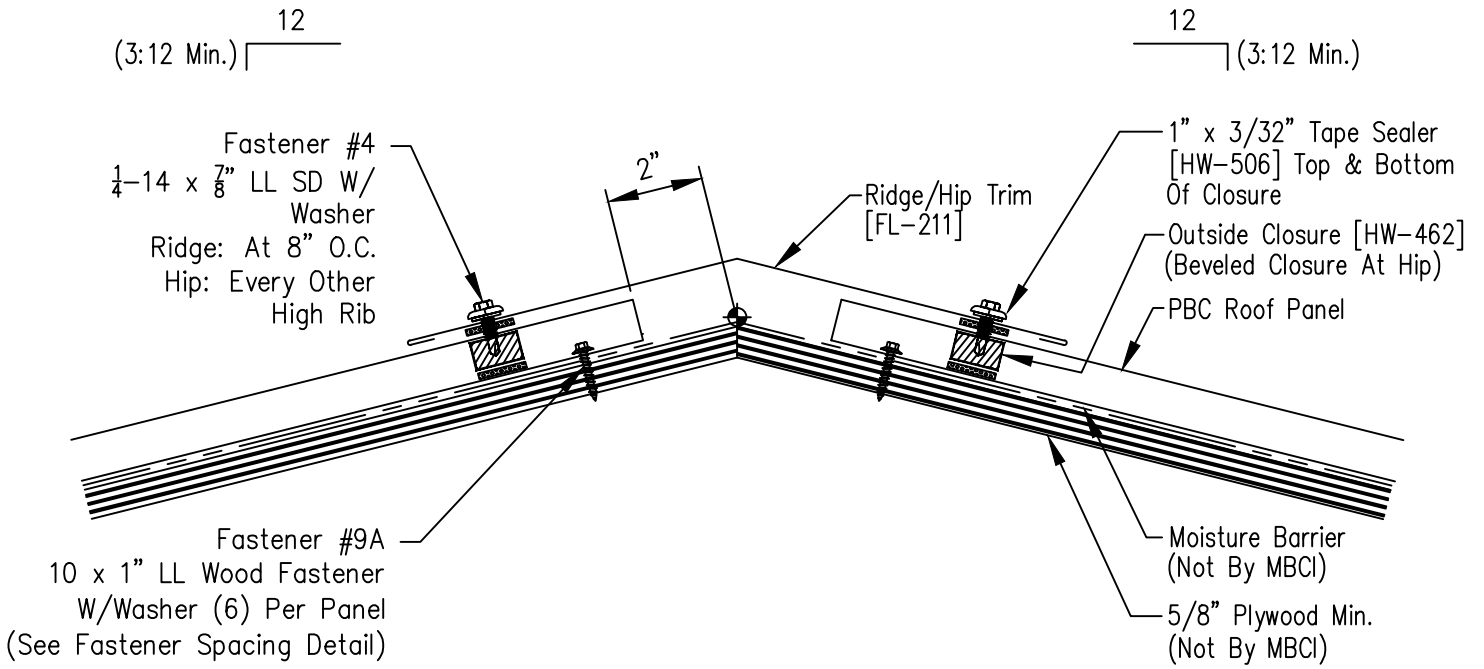


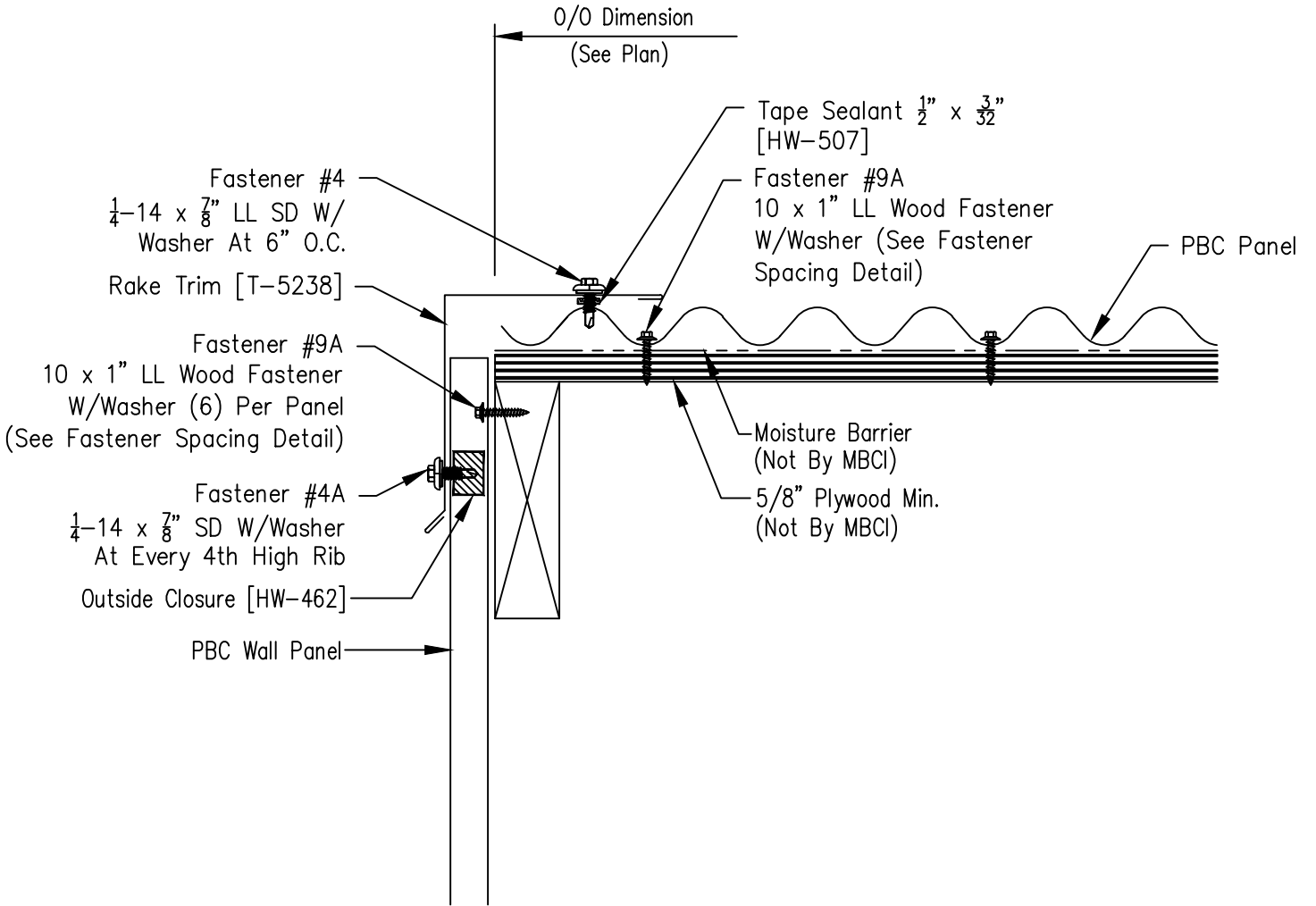


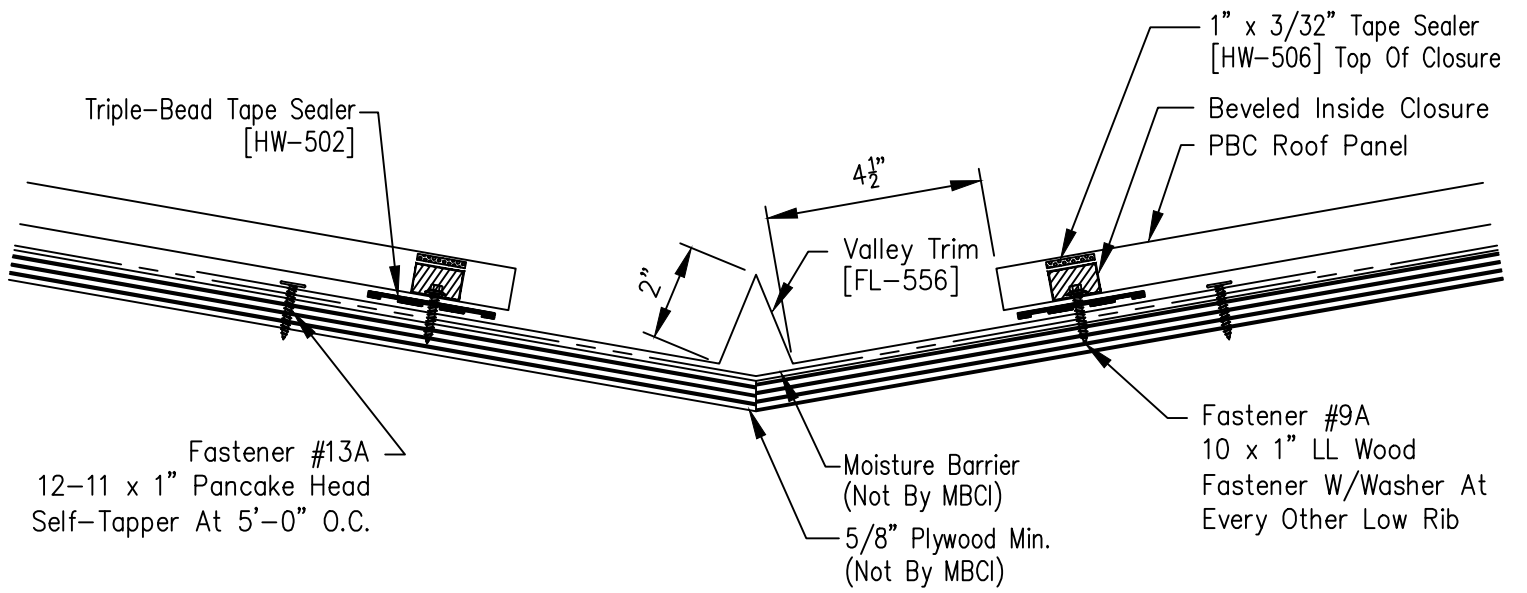












Triple-Bead Tape Sealer
[HW-502]

Fastener #13A
12-11 x 1" Pancake Head
Self-Tapper At 5'-0" O.C.

2"
4 1/2"
Valley Trim
[FL-556]

Moisture Barrier
(Not By MBCI)
5/8" Plywood Min.
(Not By MBCI)

1" x 3/32" Tape Sealer
[HW-506] Top Of Closure

Beveled Inside Closure
PBC Roof Panel

Fastener #9A
10 x 1" LL Wood
Fastener W/Washer At
Every Other Low Rib

